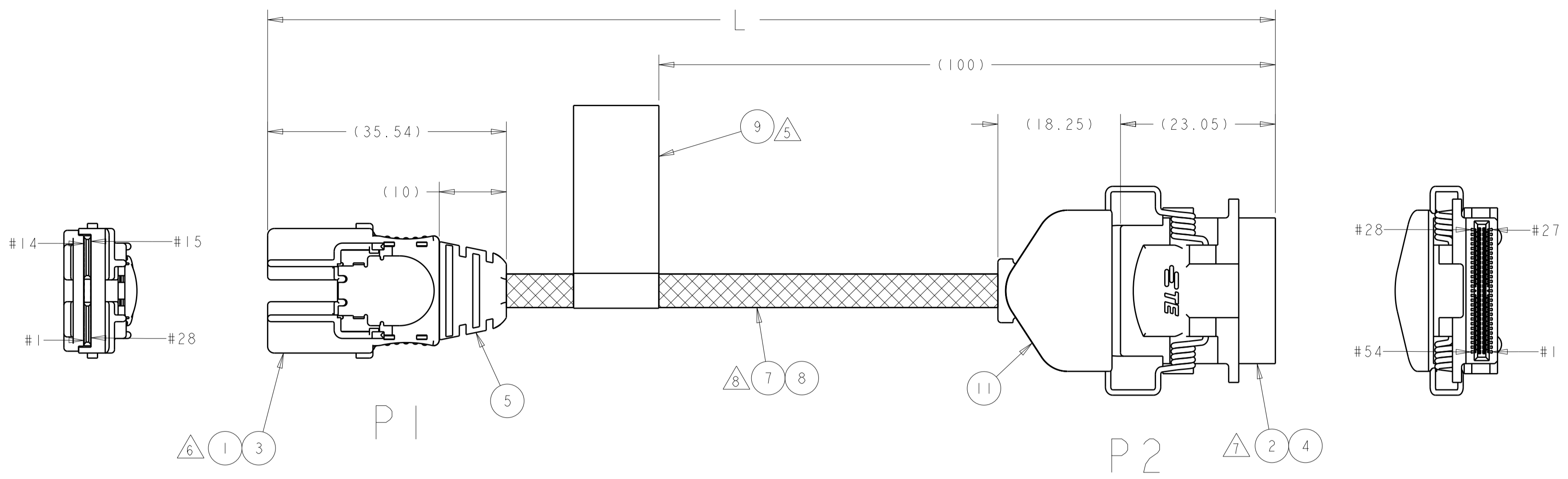
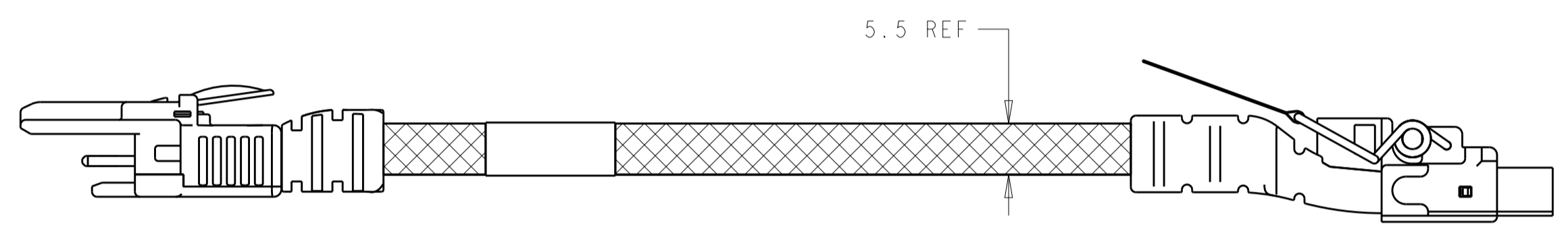
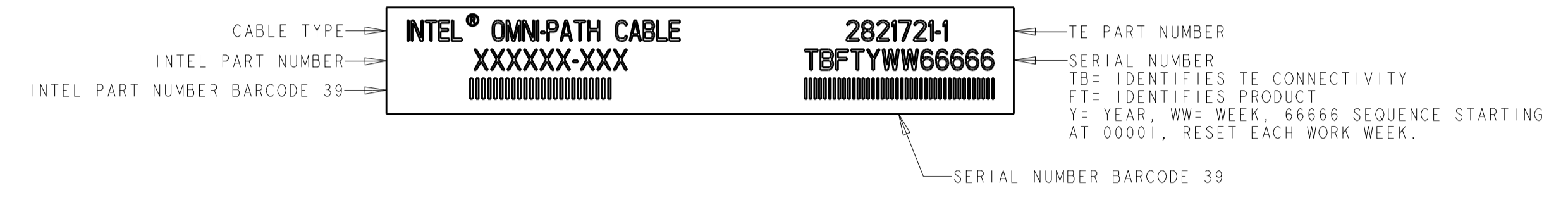


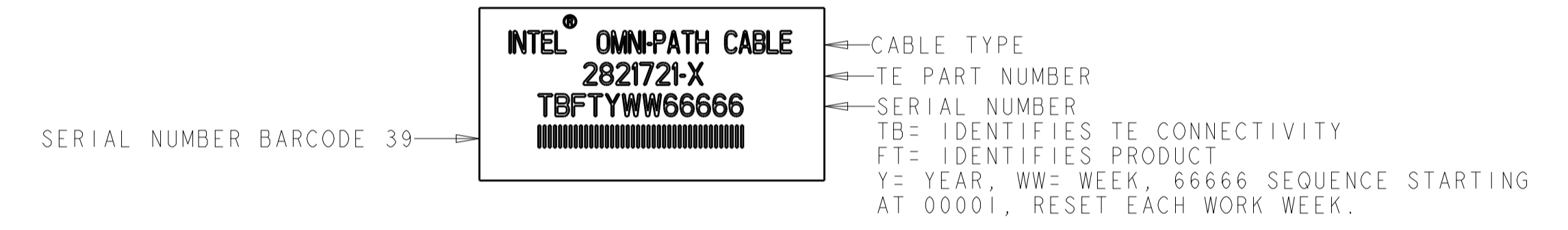
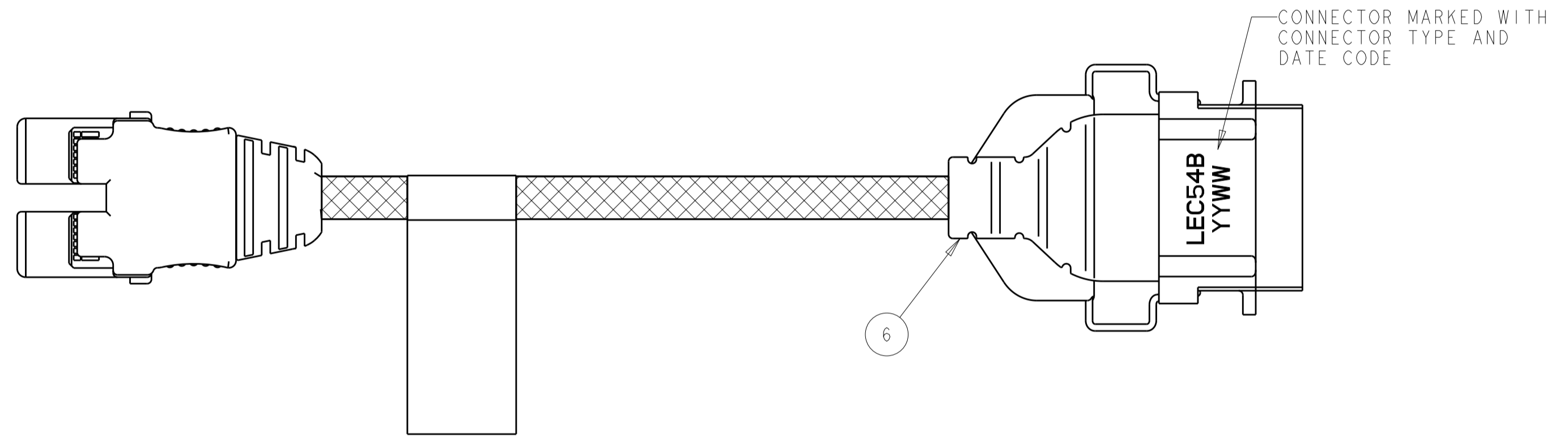
REVISIONS				
P	LTN	DESCRIPTION	DATE	OWN APVD
A		RELEASED PER ECO-17-004604	04MAR2017	CP GL



1. THIS ASSEMBLY CONFORMS TO INTEL PART NO. (SEE TABLE).
 2. EACH ASSEMBLY TESTED FOR OPENS, SHORTS AND SIGNAL INTEGRITY.
 3. ROHS AND REACH COMPLIANCE: PRODUCT AND PROCESSING MEETS THE REQUIREMENTS OF TE SPECIFICATION TEC-138-702.
 4. EACH ASSEMBLY PACKAGED IN AN ANTISTATIC BAG.
- △ LABEL INFORMATION (ITEM 9): 2821721-1



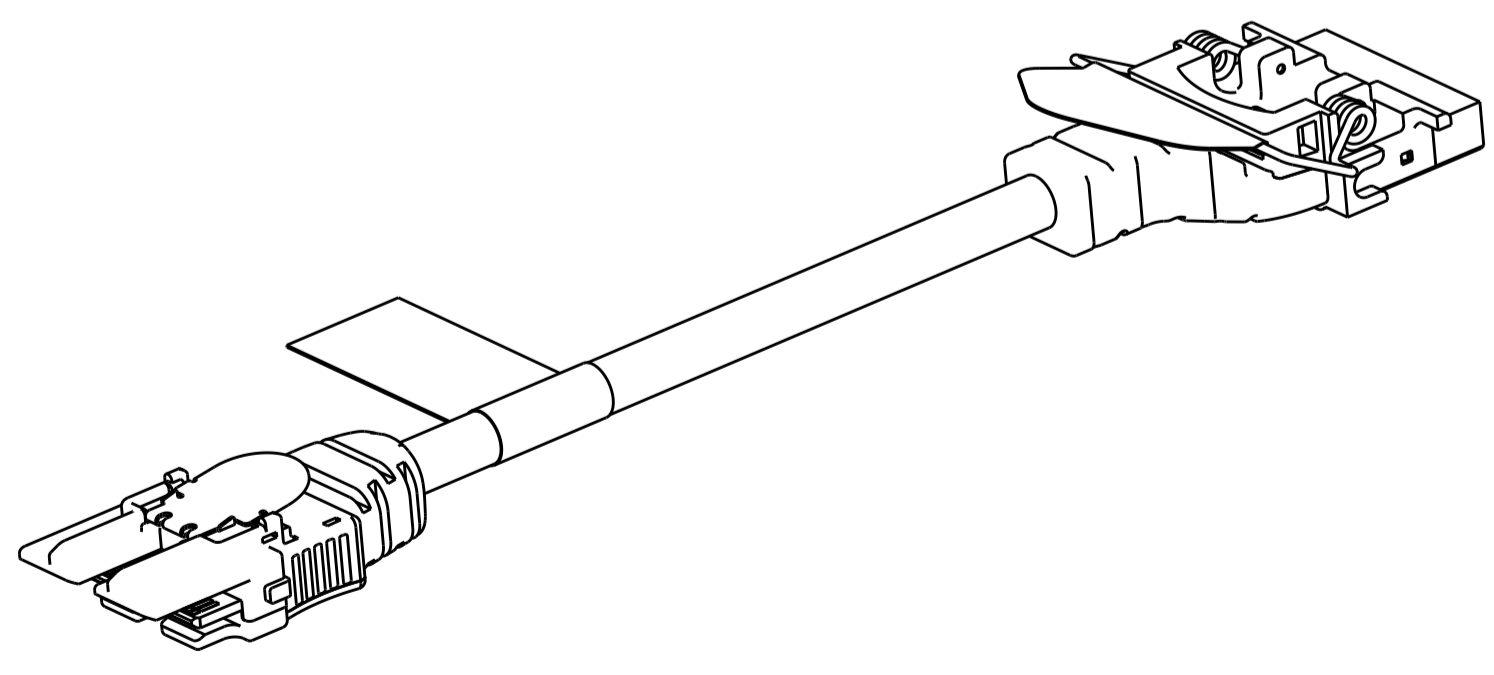
- △ FINISH (CONTACT PADS): 30μIN MINIMUM GOLD PER TE SPEC 112-162-1 OVER 100μIN MINIMUM NICKEL PER TE SPEC 112-25-2.
- △ FINISH: 50μIN MINIMUM GOLD PER TE SPEC 112-162-5, IN LOCALIZED GOLD PLATE AREA, OVER 50μIN MINIMUM NICKEL PER TE SPEC 112-25-2 ON ENTIRE STOCK.
- △ CABLE PART #: 023B2LF023
 CABLE SPEC: 104-1587
- △ LABEL INFORMATION (ITEM 10): 2821721-2



10. CABLE ASSEMBLY BUILT IN ACCORDANCE WITH INTEL DESIGN GUIDE 1.0

2821721-1

CABLE PINOUT			
PAIR	PIN NAME	P1	P2
GROUND BUS	-	1	1
1	HF10_RX_DN(1)	2	2
	HF10_RX_DP(1)	3	3
GROUND BUS	-	4	4
GROUND BUS	-	28	4
2	HF10_RX_DN(2)	27	5
	HF10_RX_DP(2)	26	6
GROUND BUS	-	25	7
3	HF10_RX_DN(3)	5	8
	HF10_RX_DP(3)	6	9
GROUND BUS	-	25	10
4	HF10_RX_DN(4)	24	11
	HF10_RX_DP(4)	23	12
GROUND BUS	-	22	13
GROUND BUS	-	7	14
GROUND BUS	-	8	15
5	HF10_TX_DP(4)	9	16
	HF10_TX_DN(4)	10	17
GROUND BUS	-	21	18
6	HF10_TX_DP(3)	20	19
	HF10_TX_DN(3)	19	20
GROUND BUS	-	11	21
7	HF10_TX_DP(2)	12	22
	HF10_TX_DN(2)	13	23
GROUND BUS	-	14	24
GROUND BUS	-	18	24
8	HF10_TX_DP(1)	17	25
	HF10_TX_DN(1)	16	26
GROUND BUS	-	15	27

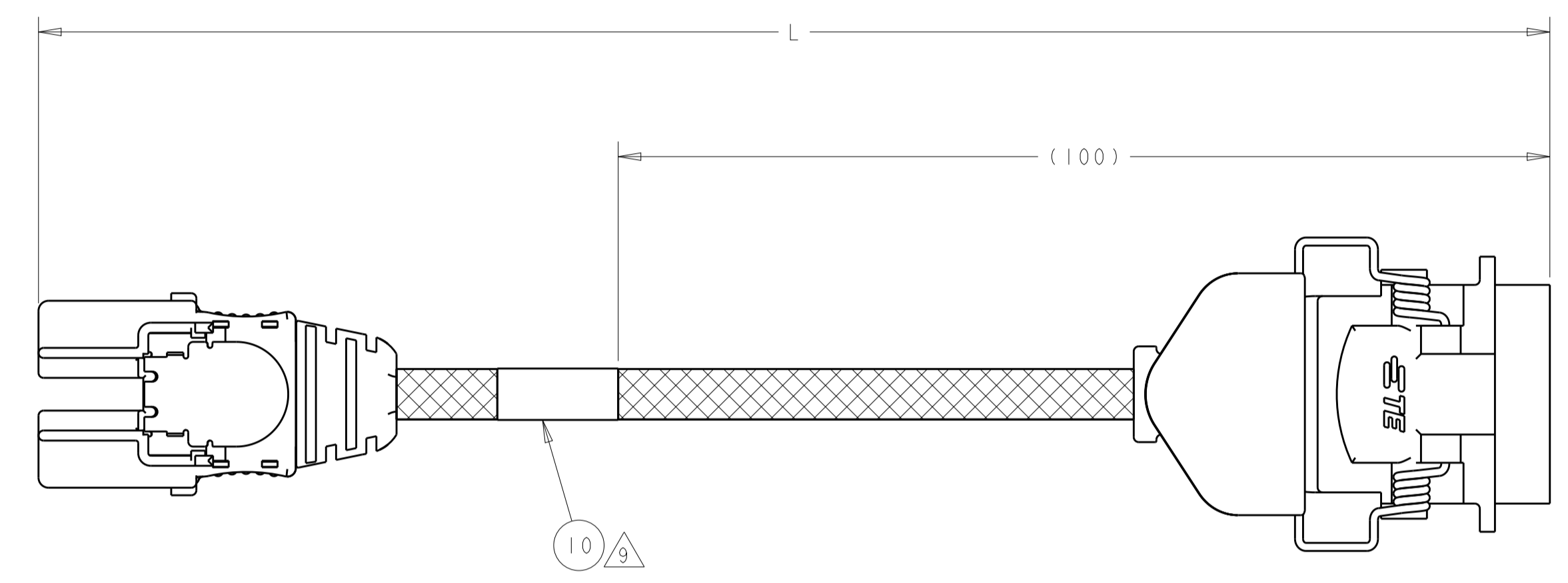


△ WRAP (SHEET 2)	320±5	-	2821721-2
△ FLAG (SHEET 1)	150±5	H86172-005	2821721-1
LABEL TYPE	L	INTEL PART NO	TE PART NO

1	1	PULL TAB	11
1	-	LABEL, WRAP	10
-	1	LABEL, FLAG	9
AR	AR	SLEEVING, EXPANDABLE	8
AR	AR	85 OHM TWINAX CABLE, 30AWG 25G TURBO TWIN™ △	7
1	1	OVERMOLDED STRAIN RELIEF, LECB	6
1	1	OVERMOLDED STRAIN RELIEF, IFP	5
1	1	DUST COVER, LECB (NOT SHOWN)	4
1	1	DUST COVER, IFP (NOT SHOWN)	3
1	1	LEC 54B RECPT, 54 POSN	2
1	1	IFP PLUG, 28 POSN	1
-2	-1	DESCRIPTION	ITEM NO

THIS DRAWING IS A CONTROLLED DOCUMENT.		OWN: T. SMITH 17JUL2016	TE Connectivity
DIMENSIONS: mm		CHK: C. POGASH 17JUL2016	
TOLERANCES UNLESS OTHERWISE SPECIFIED:		APVD: -	NAME: IFP ASSEMBLY, TYPE B, STRAIGHT 1-PORT, NON-INVERTED
0 PLC ±0.5		PRODUCT SPEC: -	APPLICATION SPEC: -
1 PLC ±0.13		SIZE: A1	CAGE CODE: -
2 PLC ±0.013		SCALE: 2:1	DRAWING NO: C=2821721
3 PLC ±0.013		SHEET: 1 OF 2	REV: A
4 PLC ±0.0001		CUSTOMER DRAWING	
ANGLES ±0.0001			
FINISH: -			
MATERIAL: TBD			

REVISIONS				
P.	LTN	DESCRIPTION	DATE	APVD
		SEE SHEET 1		



2821721-2
 WRAP LABEL
 REQUIREMENT
 ALL ASSEMBLY REQUIREMENTS
 SAME AS -1 EXCEPT FOR LABEL

THIS DRAWING IS A CONTROLLED DOCUMENT.		DWN T. SMITH 17 JUL 2016	TE Connectivity	
DIMENSIONS:		CHK C. POGASH 17 JUL 2016	NAME IFP ASSEMBLY, TYPE B, STRAIGHT 1-PORT, NON-INVERTED	
mm	TOLERANCES UNLESS OTHERWISE SPECIFIED:	APVD	PRODUCT SPEC	RESTRICTED TO
	0 PLC ±0.5		APPLICATION SPEC	
	1 PLC ±0.13			
	2 PLC ±0.013			
	3 PLC ±0.001			
	4 PLC ±0.0001			
	ANGLES ±0.001			
MATERIAL	FINISH	WEIGHT	SIZE	CAGE CODE
TBD			A1	-
			DRAWING NO. C=2821721	
		CUSTOMER DRAWING	SCALE	SHEET
			2:1	2 OF 2
				REV A

X-ON Electronics

Largest Supplier of Electrical and Electronic Components

Click to view similar products for [Specialised Cables category](#):

Click to view products by [TE Connectivity manufacturer](#):

Other Similar products are found below :

[603PT6](#) [603SS6L](#) [604PT6](#) [604SS6](#) [706000D02F200](#) [910640](#) [1200740077](#) [1200740114](#) [AC172](#) [ACL-SSI-4](#) [R88ACAKA0015SRE](#)
[R88ACAWL005SDE](#) [R88ACRGD0R3C](#) [1300150047](#) [1300660036](#) [1302262116](#) [1300150149](#) [1300220020](#) [1300220104](#) [1300220119](#)
[1301240492](#) [1301810221](#) [1365323-1](#) [1613055](#) [176P12](#) [1971465-2](#) [20240400003](#) [20240400013](#) [2085828-1](#) [20886510030](#) [2-22733-8](#) [22733-](#)
[8](#) [CB-5PSBC-RS](#) [CB-704EC-RS](#) [CB-BATACC-RS](#) [CB-JST3PSW-RS](#) [CB-M12COM-R10](#) [25AC84](#) [25AK84X](#) [25AU25](#) [25FN82](#) [3011-03](#)
[AC118](#) [ACL-HHS-1M\(CAT5E\)](#) [SSL009PC2DC012N](#) [FC2A-KC6C](#) [2085828-2](#) [20886510150](#) [CCS-FCB-5](#) [CCSFCBF2](#)