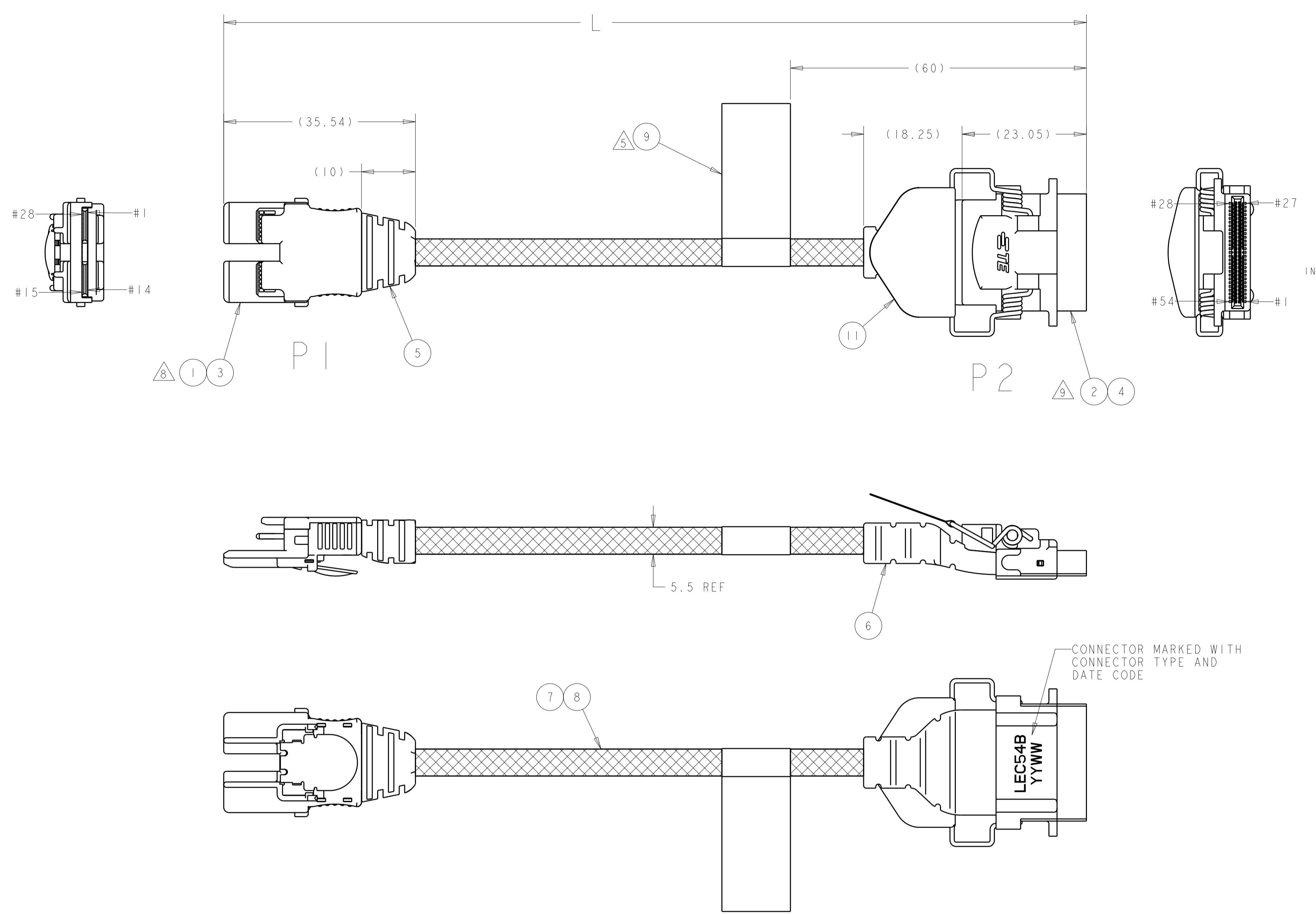
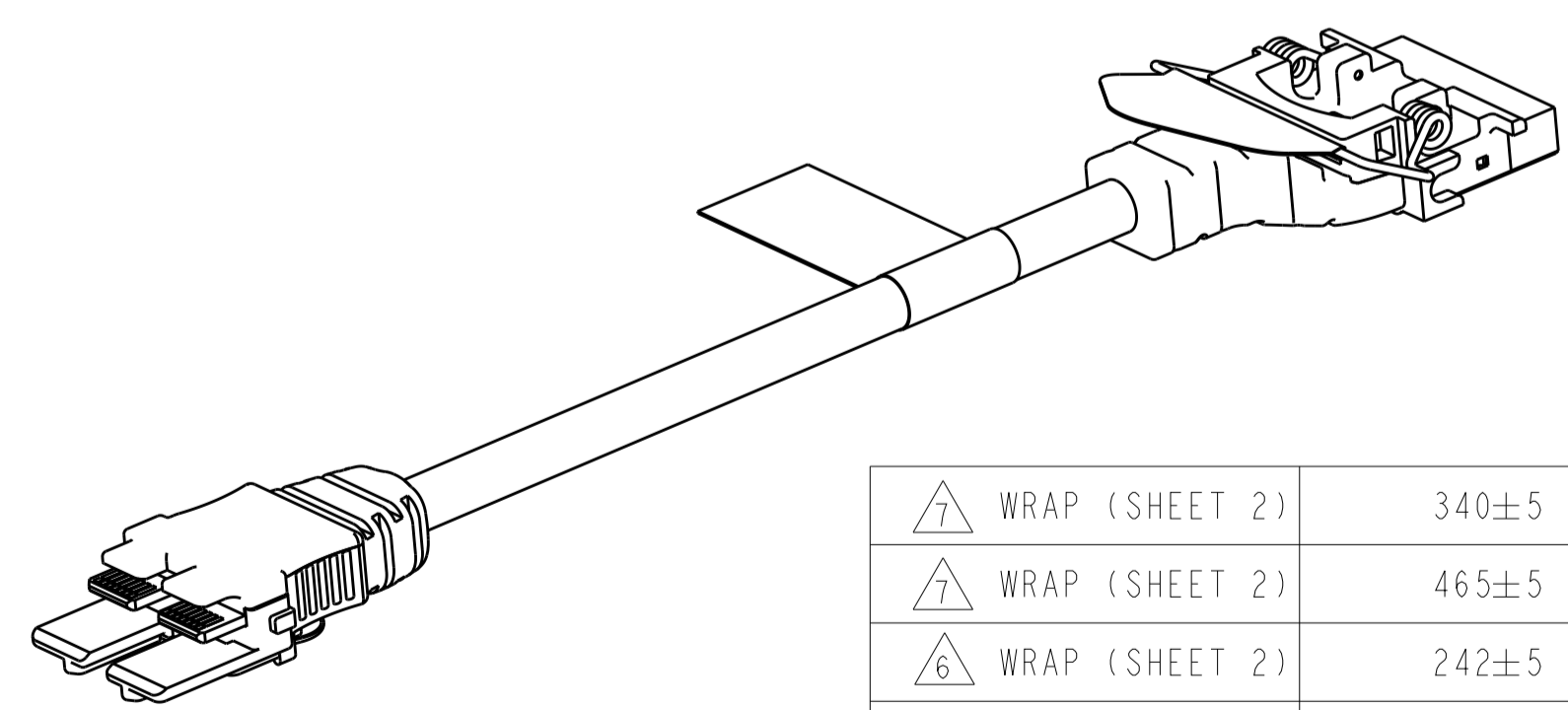


REVISIONS				
P	LTN	DESCRIPTION	DATE	OWN APVD
A		RELEASED PER ECO-17-004604	27APR2017	CP GL
B		ADD NEW PN -7	06JUN2017	GL CP



2821722-1, -2

CABLE PINOUT			
PAIR	PIN NAME	P1	P2
GROUND BUS	-	1	1
1	HF10_RX_DN(1)	2	2
	HF10_RX_DP(1)	3	3
GROUND BUS	-	4	4
GROUND BUS	-	28	4
2	HF10_RX_DN(2)	27	5
	HF10_RX_DP(2)	26	6
GROUND BUS	-	25	7
3	HF10_RX_DN(3)	5	8
	HF10_RX_DP(3)	6	9
GROUND BUS	-	25	10
4	HF10_RX_DN(4)	24	11
	HF10_RX_DP(4)	23	12
GROUND BUS	-	22	13
GROUND BUS	-	7	14
GROUND BUS	-	8	15
5	HF10_TX_DP(4)	9	16
	HF10_TX_DN(4)	10	17
GROUND BUS	-	21	18
6	HF10_TX_DP(3)	20	19
	HF10_TX_DN(3)	19	20
GROUND BUS	-	11	21
7	HF10_TX_DP(2)	12	22
	HF10_TX_DN(2)	13	23
GROUND BUS	-	14	24
GROUND BUS	-	18	24
8	HF10_TX_DP(1)	17	25
	HF10_TX_DN(1)	16	26
GROUND BUS	-	15	27



△7	WRAP (SHEET 2)	340±5	J62082-005	2821722-7
△7	WRAP (SHEET 2)	465±5	H74966-005	2821722-4 △12
△6	WRAP (SHEET 2)	242±5	-	2821722-3
△5	FLAG (SHEET 1)	205±5	H74965-005	2821722-2
△5	FLAG (SHEET 1)	160±5	H86174-005	2821722-1
	LABEL TYPE	L	INTEL PART NO	TE PART NO

- THIS ASSEMBLY CONFORMS TO INTEL PART NO. (SEE TABLE).
 - EACH ASSEMBLY TESTED FOR OPENS, SHORTS AND SIGNAL INTEGRITY.
 - ROHS AND REACH COMPLIANCE: PRODUCT AND PROCESSING MEETS THE REQUIREMENTS OF TE SPECIFICATION TEC-138-702.
 - EACH ASSEMBLY PACKAGED IN AN ANTISTATIC BAG.
- △5 LABEL INFORMATION: (ITEM 9): 2821722-1, -2
- CABLE TYPE → INTEL PART NUMBER → INTEL PART NUMBER BARCODE 39 →
- INTEL® OMNI-PATH CABLE**
 XXXXXX-XXX
 2821722-X
 TBFTYWW66666
- TE PART NUMBER → SERIAL NUMBER → TB= IDENTIFIES TE CONNECTIVITY FT= IDENTIFIES PRODUCT Y= YEAR, WW= WEEK, 66666 SEQUENCE STARTING AT 00001, RESET EACH WORK WEEK. → SERIAL NUMBER BARCODE 39 →
- △6 LABEL INFORMATION (ITEM 11): 2821722-3 (SEE SHEET 2)
- CABLE TYPE → TE PART NUMBER → SERIAL NUMBER → TB= IDENTIFIES TE CONNECTIVITY FT= IDENTIFIES PRODUCT Y= YEAR, WW= WEEK, 66666 SEQUENCE STARTING AT 00001, RESET EACH WORK WEEK. →
- INTEL® OMNI-PATH CABLE**
 2821722-X
 TBFTYWW66666
- SERIAL NUMBER BARCODE 39 →
- △7 LABEL INFORMATION (ITEM 11): 2821722-4, -7 (SEE SHEET 2)
- CABLE TYPE → INTEL PART NUMBER → INTEL PART NUMBER BARCODE 39 → TE PART NUMBER → SERIAL NUMBER → TB= IDENTIFIES TE CONNECTIVITY FT= IDENTIFIES PRODUCT Y= YEAR, WW= WEEK, 66666 SEQUENCE STARTING AT 00001, RESET EACH WORK WEEK. →
- INTEL® OMNI-PATH CABLE**
 XXXXXX-XXX
 2821722-X
 TBFTYWW66666
- SERIAL NUMBER BARCODE 39 →
- △8 FINISH (CONTACT PADS): 30µIN MINIMUM GOLD PER TE SPEC 112-162-1 OVER 100µIN MINIMUM NICKEL PER TE SPEC 112-25-2.
- △9 FINISH: 50µIN MINIMUM GOLD PER TE SPEC 112-162-5, IN LOCALIZED GOLD PLATE AREA, OVER 50µIN MINIMUM NICKEL PER TE SPEC 112-25-2 ON ENTIRE STOCK.
- △10 CABLE PART #: 023B2LF023
 CABLE SPEC: 104-1587
11. CABLE ASSEMBLY BUILT IN ACCORDANCE WITH INTEL DESIGN GUIDE 1.0
- △12 CABLE ASSEMBLY LENGTH OFFERED BY TE IS NOT REFERENCED WITHIN INTEL DESIGN GUIDE 1.0.

	I	I	I	I	I	PULL TAB		I
	I	I	I	-	-	LABEL, WRAP		10
	-	-	-	I	I	LABEL, FLAG		9
	AR	AR	AR	AR	AR	SLEEVING, EXPANDABLE		8
	AR	AR	AR	AR	AR	85 OHM TWINAX CABLE, 30AWG 25G TURBO TWINTM △10		7
	I	I	I	I	I	OVERMOLDED STRAIN RELIEF, LECB		6
	I	I	I	I	I	OVERMOLDED STRAIN RELIEF, IFP		5
	I	I	I	I	I	DUST COVER, LECB (NOT SHOWN)		4
	I	I	I	I	I	DUST COVER, IFP (NOT SHOWN)		3
	I	I	I	I	I	LEC 54B RECPT, 54 POSN		2
	I	I	I	I	I	IFP PLUG, 28 POSN		1
	-7	-4	-3	-2	-1	DESCRIPTION		ITEM NO

THIS DRAWING IS A CONTROLLED DOCUMENT. OWN: T. SMITH 17JUL2016
 CHK: C. POGASH 17JUL2016

DIMENSIONS: mm
 TOLERANCES UNLESS OTHERWISE SPECIFIED:
 0 PLC ±0.5
 1 PLC ±0.5
 2 PLC ±0.13
 3 PLC ±0.013
 4 PLC ±0.013
 ANGLES ±0.5

MATERIAL: - FINISH: -

PRODUCT SPEC: - APPLICATION SPEC: -

WEIGHT: -

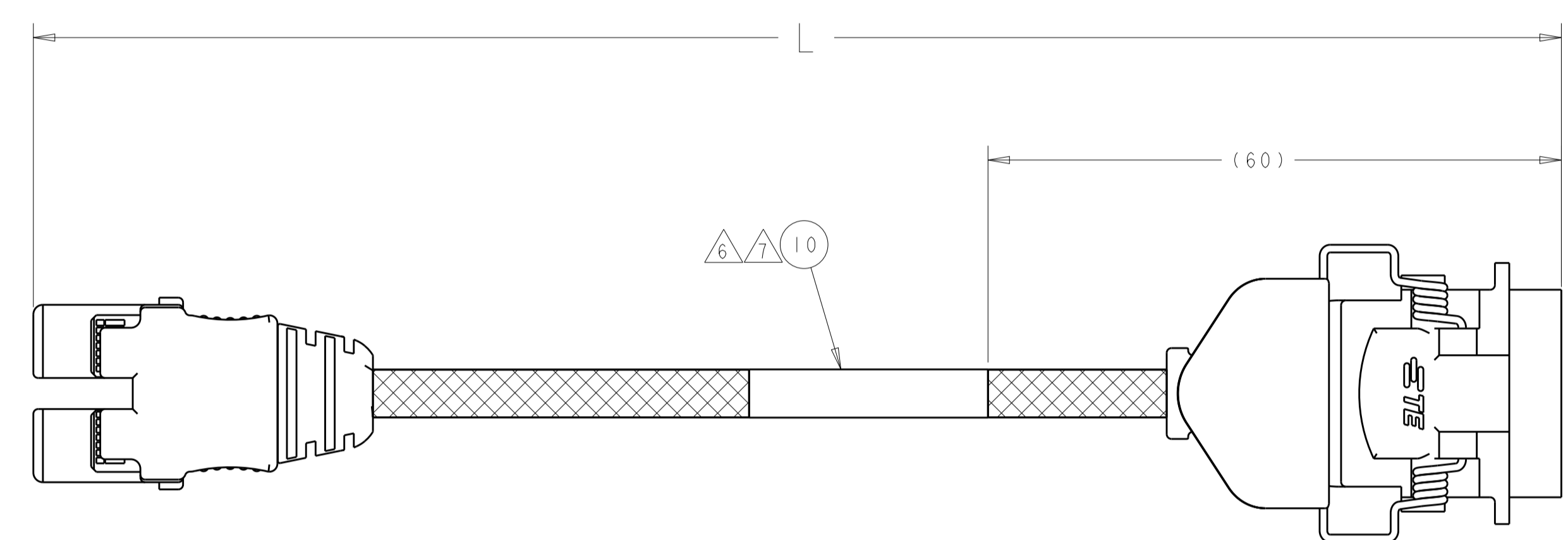
CUSTOMER DRAWING

SCALE: 2:1 SHEET 1 OF 2 REV B

NAME: IFP ASSEMBLY, TYPE B, STRAIGHT EXIT I-PORT, INVERTED.

SIZE: A1 CAGE CODE: - DRAWING NO: C=2821722

REVISIONS				
P.	LTN	DESCRIPTION	DATE	DWN APVD
		SEE SHEET 1		



**2821722-3, -4, -7
 WRAP AROUND LABEL
 REQUIREMENT
 ALL ASSEMBLY REQUIREMENTS
 SAME AS -1 EXCEPT FOR
 LABEL**

THIS DRAWING IS A CONTROLLED DOCUMENT.		DWN T. SMITH 17 JUL 2016	
		CHK C. POGASH 17 JUL 2016	
DIMENSIONS:	TOLERANCES UNLESS OTHERWISE SPECIFIED:	APVD	NAME
mm	0 PLC ± 1 PLC ±0.5 2 PLC ±0.13 3 PLC ±0.013 4 PLC ± ANGLES ±	PRODUCT SPEC	IFP ASSEMBLY, TYPE B, STRAIGHT EXIT 1-PORT, INVERTED.
MATERIAL	FINISH	APPLICATION SPEC	RESTRICTED TO
		WEIGHT	SIZE CAGE CODE DRAWING NO
		CUSTOMER DRAWING	A1 - ©=2821722
		SCALE 2:1	SHEET 2 OF 2 REV B

X-ON Electronics

Largest Supplier of Electrical and Electronic Components

Click to view similar products for [Specialised Cables category](#):

Click to view products by [TE Connectivity manufacturer](#):

Other Similar products are found below :

[603PT6](#) [603SS6L](#) [604PT6](#) [604SS6](#) [706000D02F200](#) [910640](#) [1200740077](#) [1200740114](#) [AC172](#) [ACL-SSI-4](#) [R88ACAKA0015SRE](#)
[R88ACAWL005SDE](#) [R88ACRGD0R3C](#) [1300150047](#) [1300660036](#) [1302262116](#) [1300150149](#) [1300220020](#) [1300220104](#) [1300220119](#)
[1301240492](#) [1301810221](#) [1365323-1](#) [1613055](#) [176P12](#) [1971465-2](#) [20240400003](#) [20240400013](#) [2085828-1](#) [20886510030](#) [2-22733-8](#) [22733-](#)
[8](#) [CB-5PSBC-RS](#) [CB-704EC-RS](#) [CB-BATACC-RS](#) [CB-JST3PSW-RS](#) [CB-M12COM-R10](#) [25AC84](#) [25AK84X](#) [25AU25](#) [25FN82](#) [3011-03](#)
[AC118](#) [ACL-HHS-1M\(CAT5E\)](#) [SSL009PC2DC012N](#) [FC2A-KC6C](#) [2085828-2](#) [20886510150](#) [CCS-FCB-5](#) [CCSFCBF2](#)