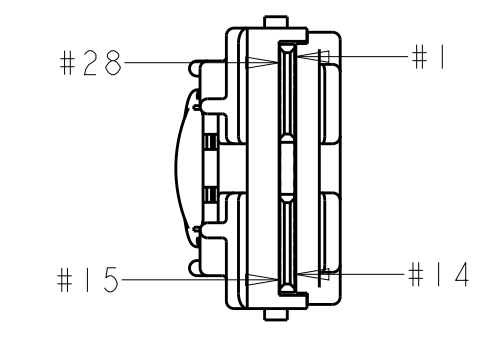
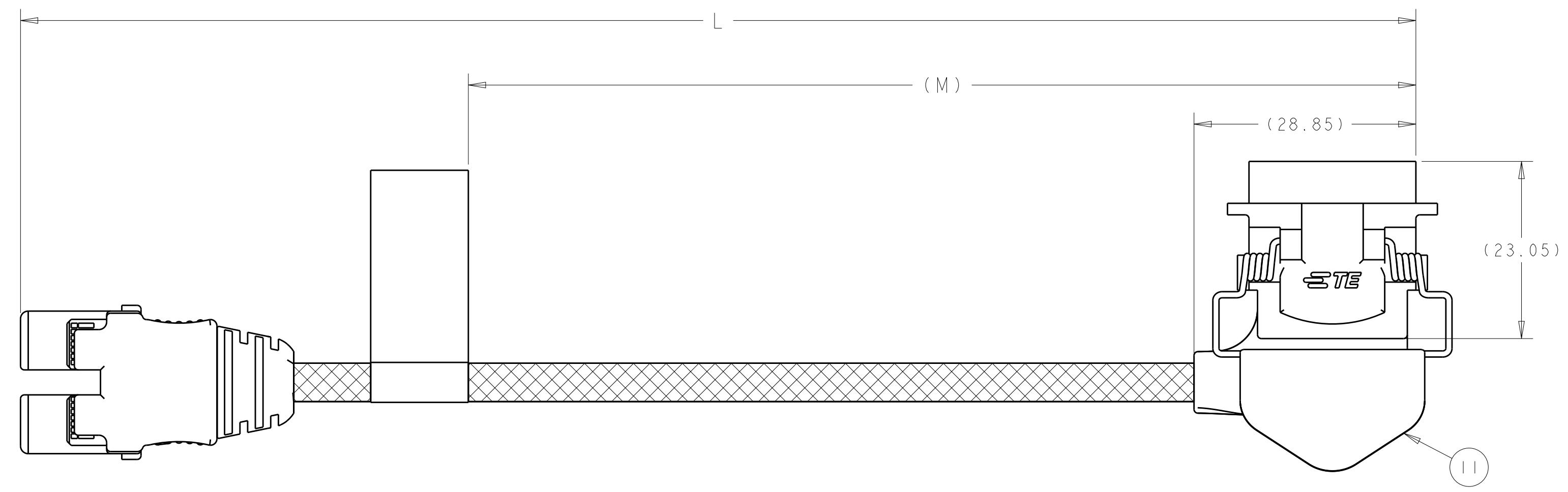
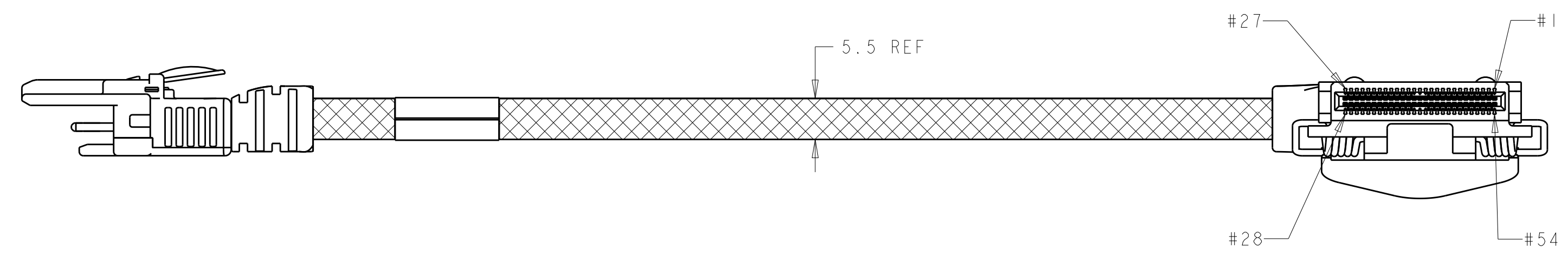
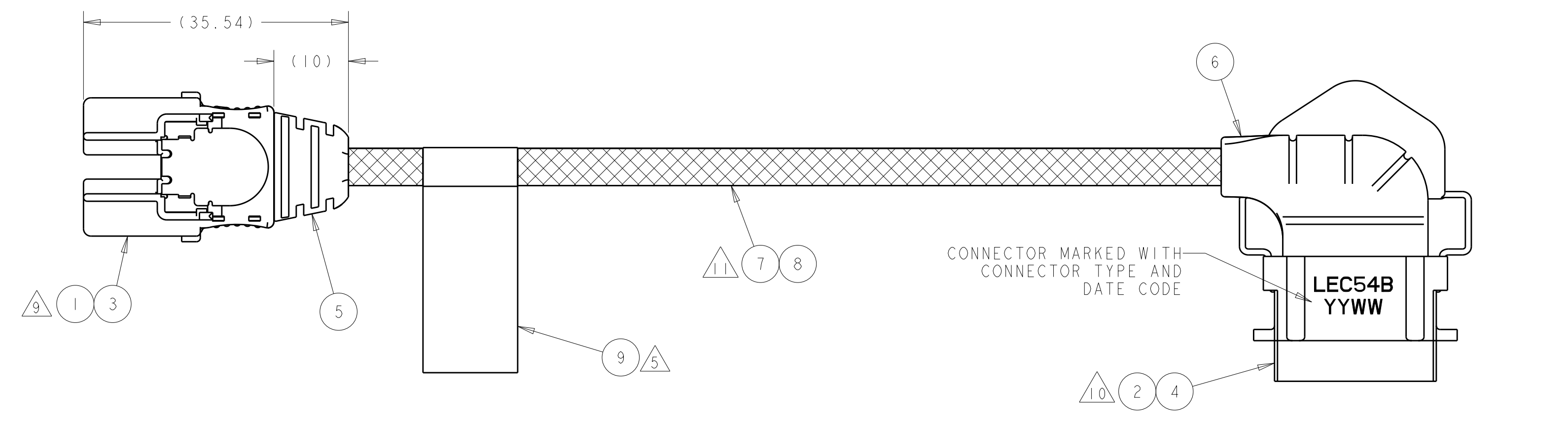


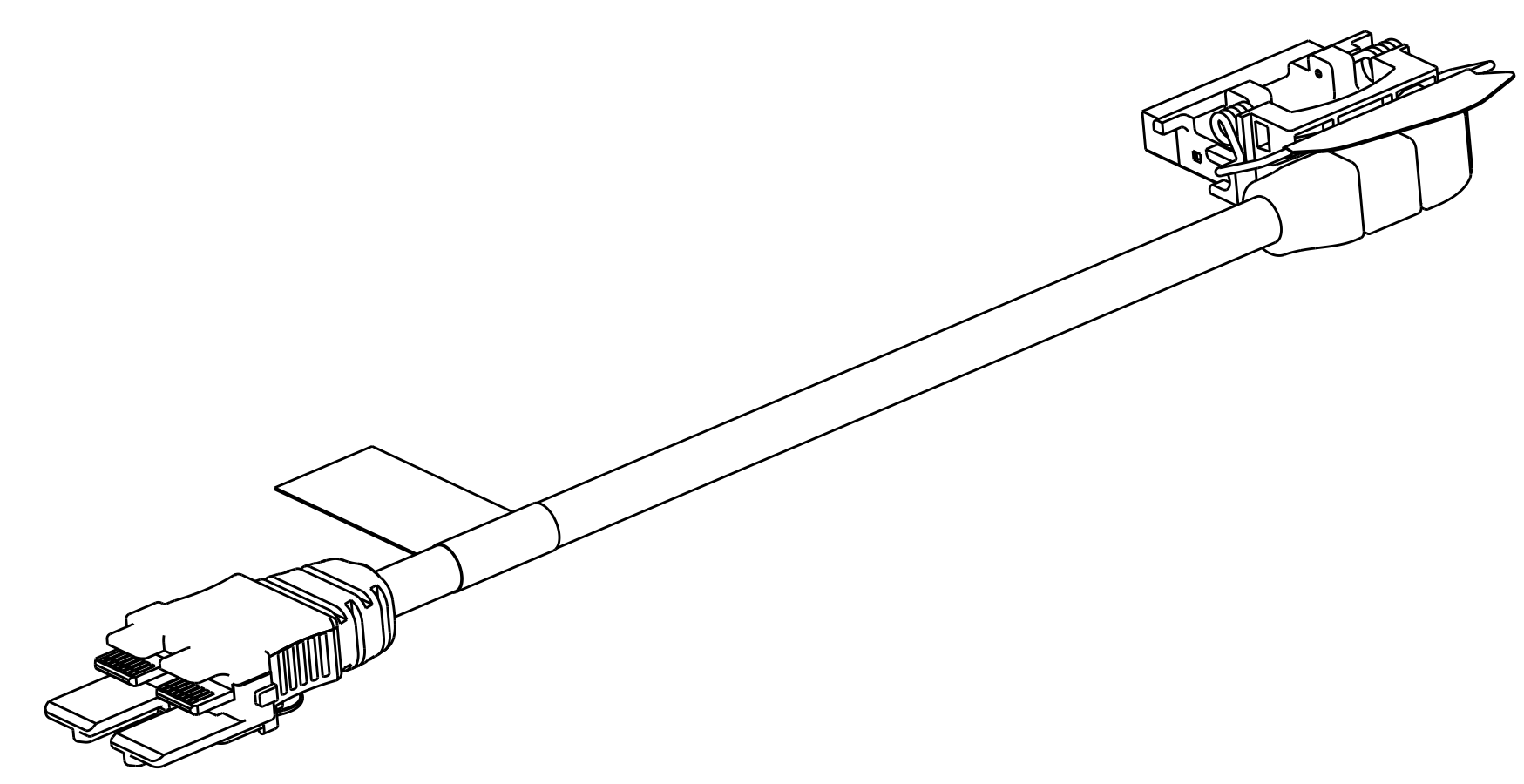
REVISIONS				
P.	LTR	DESCRIPTION	DATE	APVD
A		RELEASED	03APR2017	GL CP
B		REVISED PER ECO-17-004604	20APR2017	CP GL
C		REVISED ECO-17-013749	19SEP2017	GL CP
D		REVISED ECO-18-007459	24APR2018	FZ CP



P1 **2821724-1** P2

△6	WRAP (SHEET 2)	40	235±5	H79267-005	1-2821724-1△3
△7	WRAP (SHEET 2)	60	405±5	-	2821724-7
△7	WRAP (SHEET 2)	60	500±5	-	2821724-6△12
△6	WRAP (SHEET 2)	60	439±5	H74964-005	2821724-5
△7	WRAP (SHEET 2)	60	419±5	-	2821724-4
△6	WRAP (SHEET 2)	100	318±5	H86176-005	2821724-3
△6	WRAP (SHEET 2)	40	235±5	H79267-005	2821724-2
△5	FLAG (SHEET 1)	60	178±5	H74963-005	2821724-1
	LABEL TYPE	(M)	L	INTEL PART NO	TE PART NO

CABLE PINOUT			
PAIR	PIN NAME	P1	P2
GROUND BUS	-	1	1
1	HF10_RX_DN(1)	2	2
	HF10_RX_DP(1)	3	3
GROUND BUS	-	4	4
GROUND BUS	-	28	4
2	HF10_RX_DN(2)	27	5
	HF10_RX_DP(2)	26	6
GROUND BUS	-	25	7
3	HF10_RX_DN(3)	5	8
	HF10_RX_DP(3)	6	9
GROUND BUS	-	25	10
4	HF10_RX_DN(4)	24	11
	HF10_RX_DP(4)	23	12
GROUND BUS	-	22	13
GROUND BUS	-	7	14
GROUND BUS	-	8	15
5	HF10_TX_DP(4)	9	16
	HF10_TX_DN(4)	10	17
GROUND BUS	-	21	18
6	HF10_TX_DP(3)	20	19
	HF10_TX_DN(3)	19	20
GROUND BUS	-	11	21
7	HF10_TX_DP(2)	12	22
	HF10_TX_DN(2)	13	23
GROUND BUS	-	14	24
GROUND BUS	-	18	24
8	HF10_TX_DP(1)	17	25
	HF10_TX_DN(1)	16	26
GROUND BUS	-	15	27



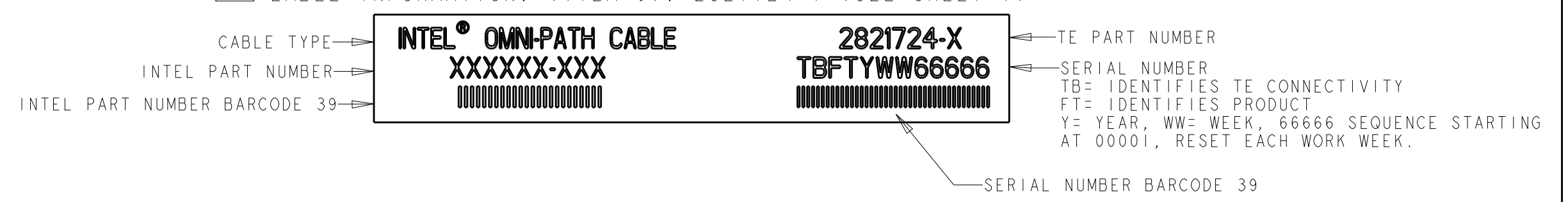
										PULL TAB	
										LABEL, WRAP	
-	-	-	-	-	-	-	-	-	-	LABEL, FLAG	
AR	AR	AR	AR	AR	AR	AR	AR	AR	AR	SLEEVING, EXPANDABLE	
AR	AR	AR	AR	AR	AR	AR	AR	AR	AR	85 OHM TWINAX CABLE, 30AWG 25G TURBO TWIN™ △11	
										OVERMOLDED STRAIN RELIEF, LECB	
										OVERMOLDED STRAIN RELIEF, IFP	
										DUST COVER, LECB (NOT SHOWN)	
										DUST COVER, IFP (NOT SHOWN)	
										LEC 54B RECPT, 54 POSN	
										IFP PLUG, 28 POSN	
1-1	-7	-6	-5	-4	-3	-2	-1			DESCRIPTION	ITEM NO

THIS DRAWING IS A CONTROLLED DOCUMENT.		OWN T. SMITH 13JUL2016	TE Connectivity
DIMENSIONS:		CHK C. POGASH 13JUL2016	
mm	TOLERANCES UNLESS OTHERWISE SPECIFIED:	APVD	NAME
0 PLC ±0.5	1 PLC ±0.5	PRODUCT SPEC	IFP ASSEMBLY, TYPE B, LEFT EXIT
2 PLC ±0.13	3 PLC ±0.013	APPLICATION SPEC	I-PORT, INVERTED
4 PLC ±	ANGLES ±	SIZE	A1
MATERIAL	FINISH	WEIGHT	CAGE CODE DRAWING NO
		CUSTOMER DRAWING	SCALE 2:1 SHEET 1 OF 2 REV D

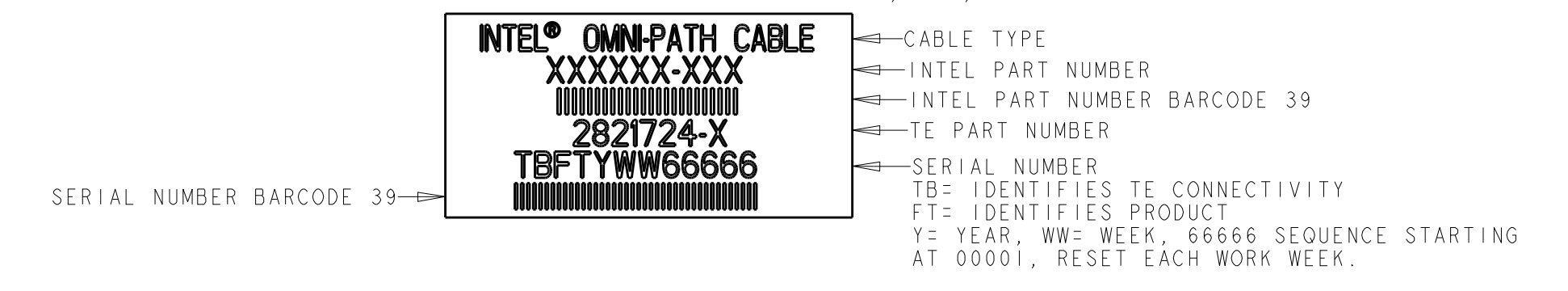
REVISIONS				
P.	LTN	DESCRIPTION	DATE	OWN APVD
		SEE SHEET 1		

1. THIS ASSEMBLY CONFORMS TO INTEL PART NO. (SEE TABLE).
2. EACH ASSEMBLY TESTED FOR OPENS, SHORTS AND SIGNAL INTEGRITY.
3. ALL MATERIALS, COMPONENTS AND PROCESS SHALL COMPLY WITH TEC-138-702 AND CONTAIN NO BANNED OR RESTRICTED SUBSTANCES.
4. EACH ASSEMBLY PACKAGED IN ESD MOISTURE BARRIER BAG WITH DESICCANT.

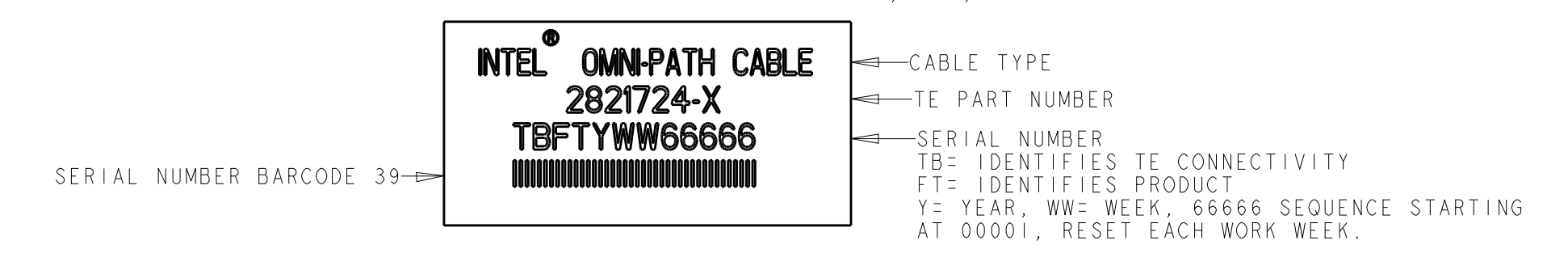
△ LABEL INFORMATION: (ITEM 9): 2821724-1 (SEE SHEET 1)



△ LABEL INFORMATION (ITEM 10): 2821724-2, -3, -5

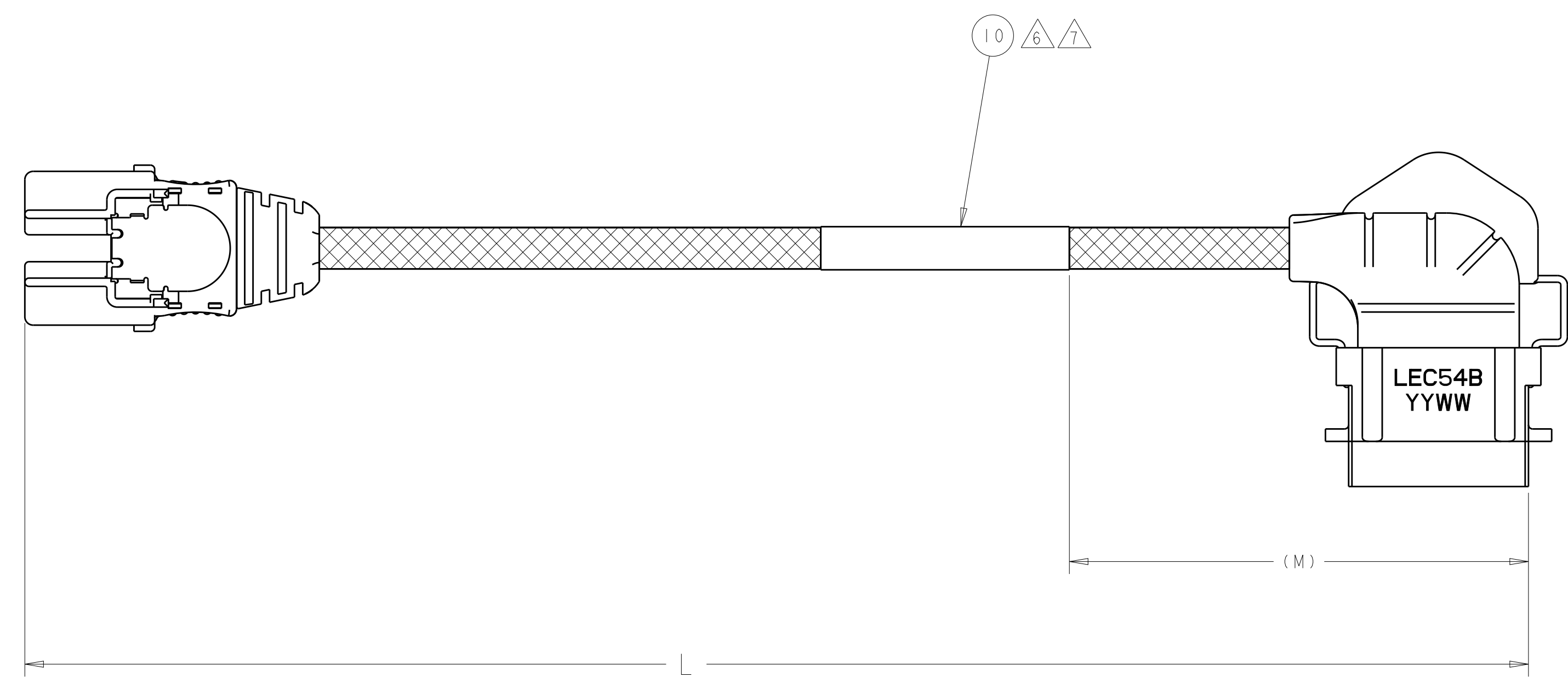


△ LABEL INFORMATION (ITEM 10): 2821724-4, -6, -7



8. CABLE ASSEMBLY BUILT IN ACCORDANCE WITH INTEL DESIGN GUIDE 1.0
9. FINISH (CONTACT PADS): 30μIN MINIMUM GOLD PER TE SPEC 112-162-1 OVER 100μIN MINIMUM NICKEL PER TE SPEC 112-25-2.
10. FINISH: 50μIN MINIMUM GOLD PER TE SPEC 112-162-5, IN LOCALIZED GOLD PLATE AREA, OVER 50μIN MINIMUM NICKEL PER TE SPEC 112-25-2 ON ENTIRE STOCK.
11. CABLE PART #: 023B2LF023
CABLE SPEC: 104-1587
12. CABLE ASSEMBLY LENGTH OFFERED BY TE IS NOT REFERENCED WITHIN INTEL DESIGN GUIDE 1.0
13. REQUIRED SPECIAL PACKAGE FOLLOWING CUSTOMER SPEC: J51641-Omnipath_kit_TE.docx AND BELOW TABLE.

14. NO REACH SvHC SHALL BE CONTAINED ABOVE THE THRESHOLD AS DEFINED IN REACH SvHC COMPLIANCE DEFINITION IN ANNEX A OF TEC-138-702.
15. ALL PRODUCT COMPONENTS AND PROCESSES SHALL MEET THE HALOGEN REQUIREMENTS OF CODE 2: CL<900PPM, Br<900PPM, CL+Br<1500PPM PER HOMOGENEOUS MATERIAL.



**2821724-2, -3, -4, -5, -6, -7, 1-1
 WRAP AROUND LABEL
 REQUIREMENT
 ALL ASSEMBLY REQUIREMENTS
 SAME AS -1 EXCEPT FOR
 LABEL**

PC - L6 SYSTEMS - GOLD	DESCRIPTION	UPC/EAN	MM	TA	TA REV	PBA#/ITEM/SPARE	TE CROSS PN
AXXCBL2351FPL1	IFT Omnipath Left 235 mm	UPC: 735858346092 EAN: 5032037106375	958252	J53188-001	1	H79267-005	1-2821724-1

THIS DRAWING IS A CONTROLLED DOCUMENT.		OWN T. SMITH 13JUL2016	TE Connectivity
DIMENSIONS: mm		CHK C. POGASH 13JUL2016	
TOLERANCES UNLESS OTHERWISE SPECIFIED: 0 PLC ±. 1 PLC ±0.5 2 PLC ±0.13 3 PLC ±0.013 4 PLC ±. ANGLES ±. FINISH ±.		APVD	NAME
MATERIAL		PRODUCT SPEC	IFT ASSEMBLY, TYPE B, LEFT EXIT I-PORT, INVERTED
		APPLICATION SPEC	SIZE CAGE CODE DRAWING NO
		WEIGHT	A1 - C=2821724
		CUSTOMER DRAWING	RESTRICTED TO
		SCALE 2:1	SHEET 2 OF 2 REV D

X-ON Electronics

Largest Supplier of Electrical and Electronic Components

Click to view similar products for [Specialised Cables category](#):

Click to view products by [TE Connectivity manufacturer](#):

Other Similar products are found below :

[603PT6](#) [603SS6L](#) [604PT6](#) [604SS6](#) [706000D02F200](#) [910640](#) [1200740077](#) [1200740114](#) [AC172](#) [ACL-SSI-4](#) [R88ACAKA0015SRE](#)
[R88ACAWL005SDE](#) [R88ACRGD0R3C](#) [1300150047](#) [1300660036](#) [1302262116](#) [1300150149](#) [1300220020](#) [1300220104](#) [1300220119](#)
[1301240492](#) [1301810221](#) [1365323-1](#) [1613055](#) [176P12](#) [1971465-2](#) [20240400003](#) [20240400013](#) [2085828-1](#) [20886510030](#) [2-22733-8](#) [22733-](#)
[8](#) [CB-5PSBC-RS](#) [CB-704EC-RS](#) [CB-BATACC-RS](#) [CB-JST3PSW-RS](#) [CB-M12COM-R10](#) [25AC84](#) [25AK84X](#) [25AU25](#) [25FN82](#) [3011-03](#)
[AC118](#) [ACL-HHS-1M\(CAT5E\)](#) [SSL009PC2DC012N](#) [FC2A-KC6C](#) [2085828-2](#) [20886510150](#) [CCS-FCB-5](#) [CCSFCBF2](#)