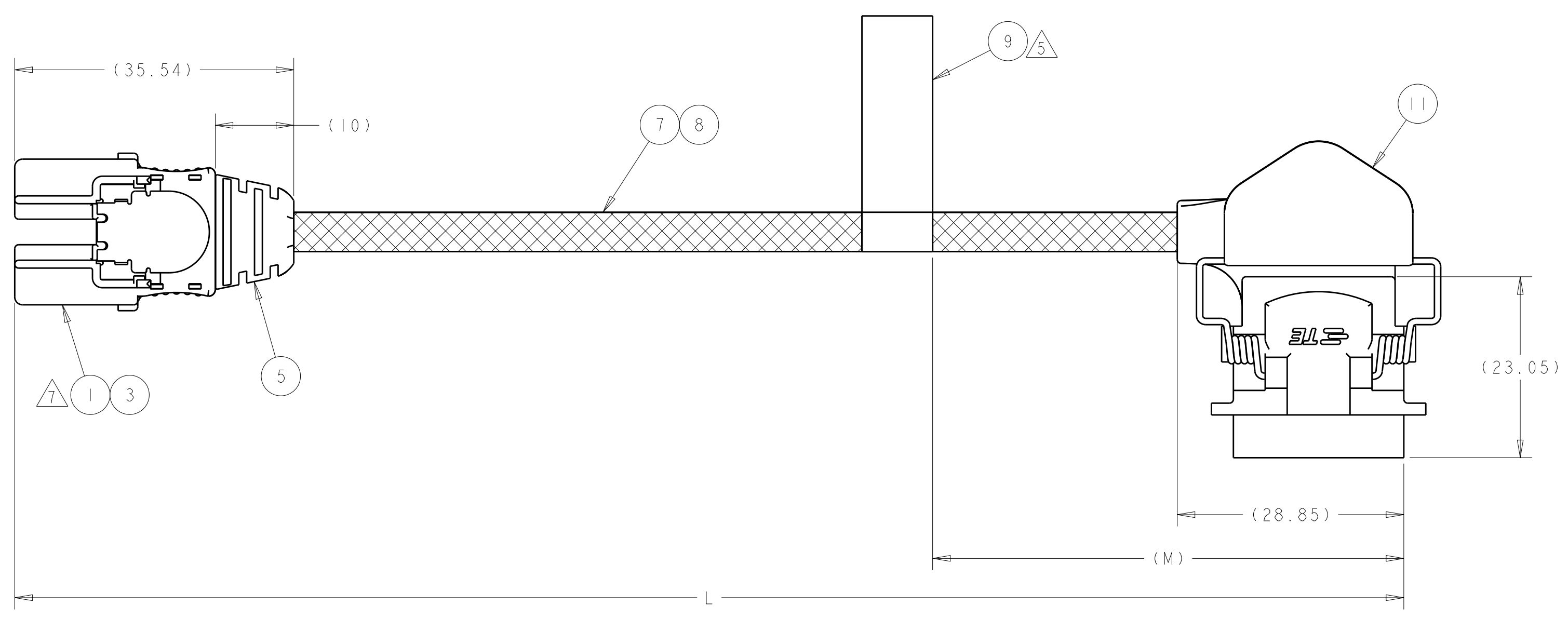
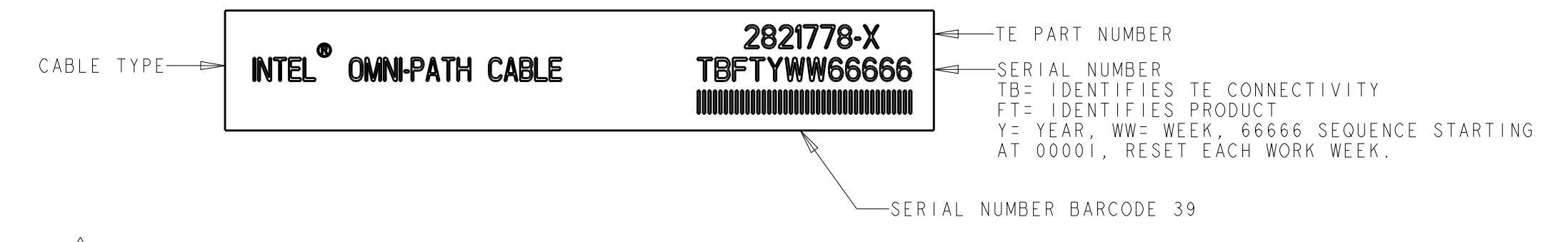


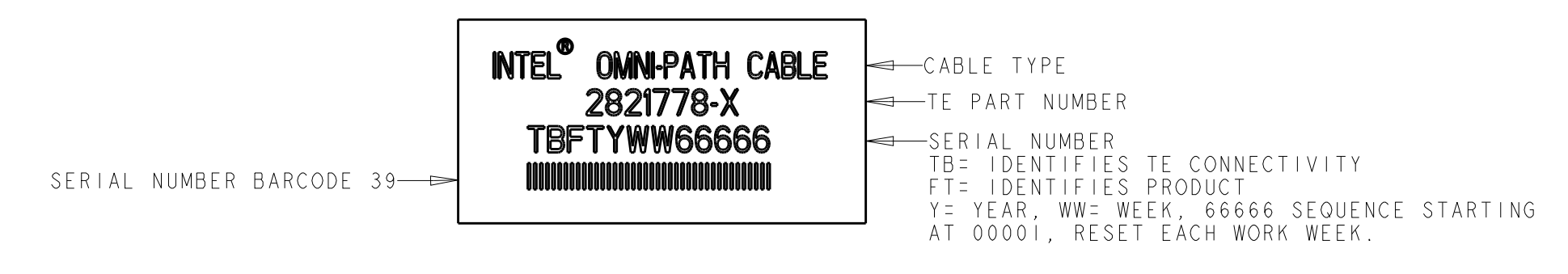
REVISIONS				
P	LTN	DESCRIPTION	DATE	OWN APVD
A1	ECO-17-007675		01JUN2017	GL CP
B	ECO-18-007459		24APR2018	FZ CP



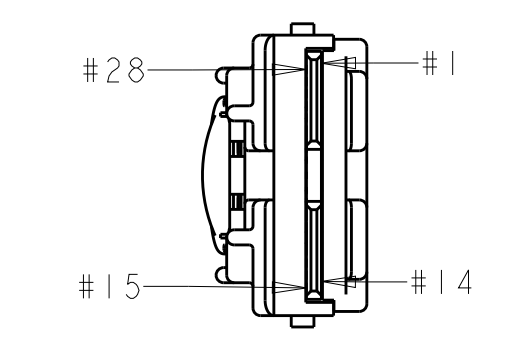
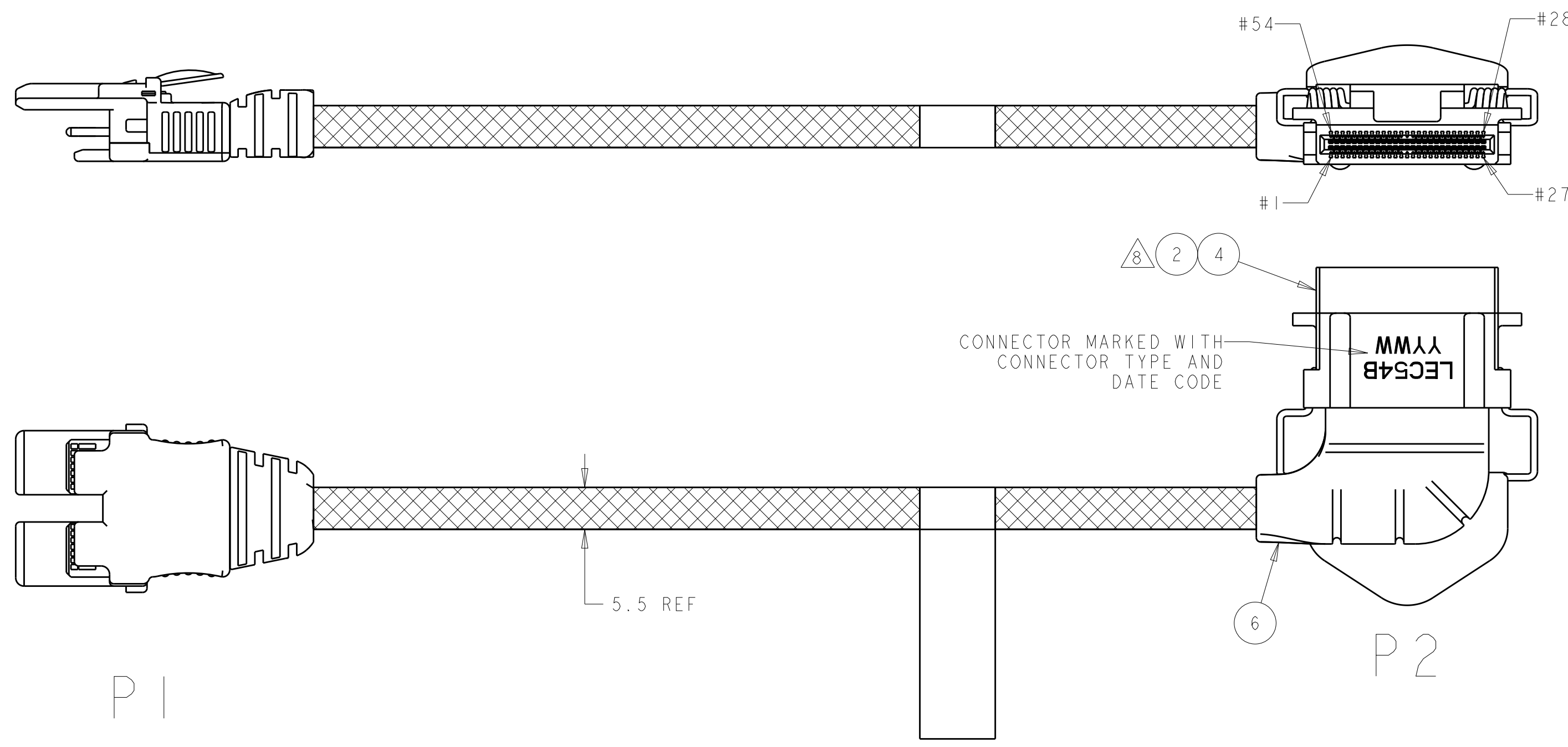
- THIS ASSEMBLY CONFORMS TO INTEL PART NO. (SEE TABLE).
 - EACH ASSEMBLY TESTED FOR OPENS, SHORTS AND SIGNAL INTEGRITY.
 - ALL MATERIALS, COMPONENTS, AND PROCESSES SHALL COMPLY WITH TEC-138-702 AND CONTAIN NO BANNED OR RESTRICTED SUBSTANCES.
 - EACH ASSEMBLY PACKAGED IN ESD MOISTURE BARRIER BAG WITH DESICCANT.
- △ 5 LABEL INFORMATION: (ITEM 9): 2821778-1



△ 6 LABEL INFORMATION (ITEM 10): 2821778-2,-3,-5 (SEE SHEET 2)

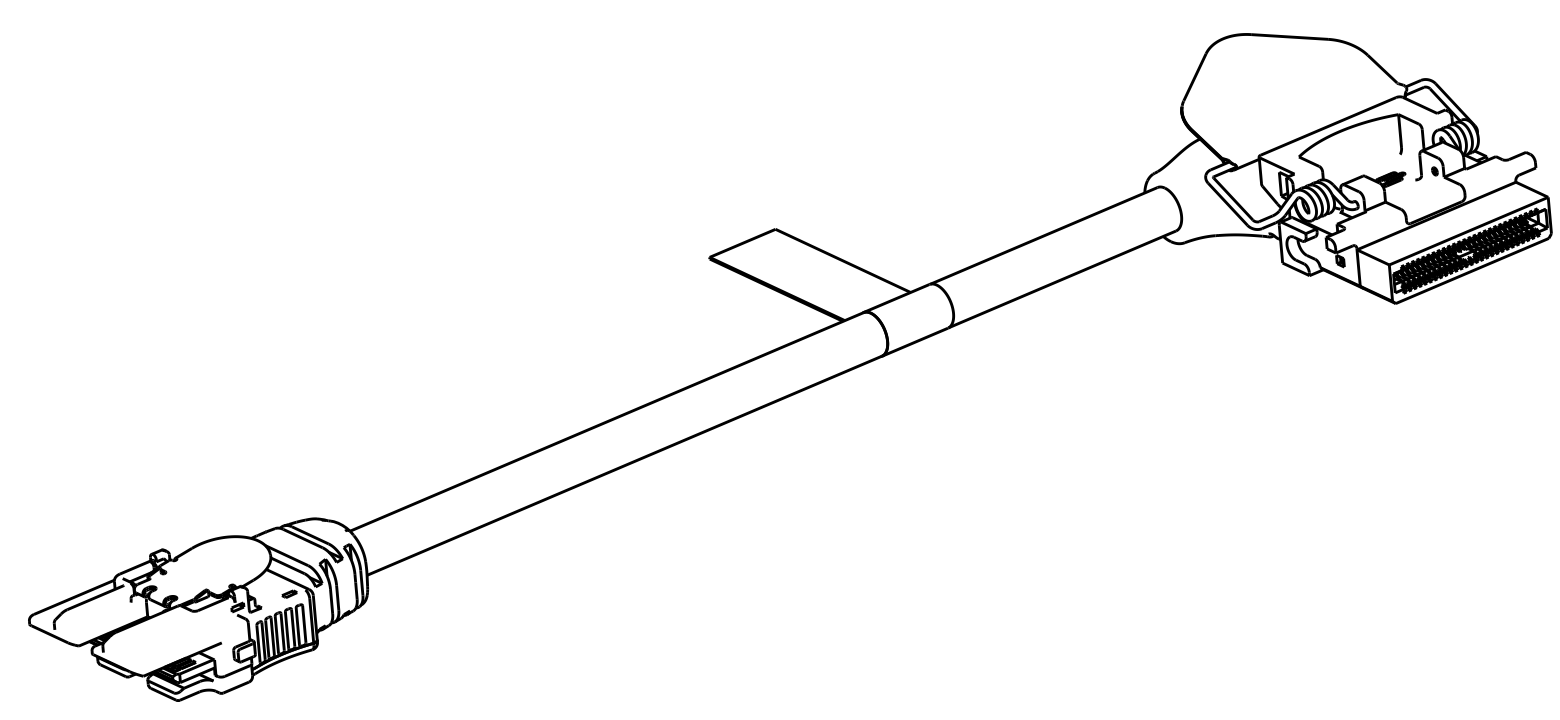


- △ 7 FINISH (CONTACT PADS): 30μIN MINIMUM GOLD PER TE SPEC 112-162-1 OVER 100μIN MINIMUM NICKEL PER TE SPEC 112-25-2.
- △ 8 FINISH: 50μIN MINIMUM GOLD PER TE SPEC 112-162-5, IN LOCALIZED GOLD PLATE AREA, OVER 50μIN MINIMUM NICKEL PER TE 112-25-2 ON ENTIRE STOCK.
- △ 9 CABLE PART #: 023B2LF023
 CABLE SPEC: 104-1587.
10. CABLE ASSEMBLY BUILT IN ACCORDANCE WITH INTEL DESIGN GUIDE 1.0
- △ 11 CABLE ASSEMBLY LENGTH OFFERED BY TE IS NOT REFERENCED WITHIN INTEL DESIGN GUIDE 1.0
12. NO REACH SVHC SHALL BE CONTAINED ABOVE THE THRESHOLD AS DEFINED IN REACH SVHC COMPLIANCE DEFINITION IN ANNEX A OF TEC-138-702.
13. LOW HALOGEN REQUIREMENT: CL<900PPM, Br<900PPM, CL+Br<1500PPM PER HOMOGENEOUS MATERIAL.



CABLE PINOUT			
PAIR	PIN NAME	P1	P2
GROUND BUS	-	1	1
1	HF10_RX_DN(1)	2	2
	HF10_RX_DP(1)	3	3
GROUND BUS	-	4	4
GROUND BUS	-	28	4
2	HF10_RX_DN(2)	27	5
	HF10_RX_DP(2)	26	6
GROUND BUS	-	25	7
3	HF10_RX_DN(3)	5	8
	HF10_RX_DP(3)	6	9
GROUND BUS	-	25	10
4	HF10_RX_DN(4)	24	11
	HF10_RX_DP(4)	23	12
GROUND BUS	-	22	13
GROUND BUS	-	7	14
GROUND BUS	-	8	15
5	HF10_TX_DP(4)	9	16
	HF10_TX_DN(4)	10	17
GROUND BUS	-	21	18
6	HF10_TX_DP(3)	20	19
	HF10_TX_DN(3)	19	20
GROUND BUS	-	11	21
7	HF10_TX_DP(2)	12	22
	HF10_TX_DN(2)	13	23
GROUND BUS	-	14	24
GROUND BUS	-	18	24
8	HF10_TX_DP(1)	17	25
	HF10_TX_DN(1)	16	26
GROUND BUS	-	15	27

2821778-1



△ 6	WRAP (SHEET 2)	60	400±5	-	2821778-5
△ 6	WRAP (SHEET 2)	60	610±10	-	2821778-3
△ 6	WRAP (SHEET 2)	60	460±5	-	2821778-2
△ 5	FLAG (SHEET 1)	60	142±5	-	2821778-1
LABEL TYPE		(M)	L	INTEL PART NO	TE PART NO

QTY	DESCRIPTION	ITEM NO			
1	PULL TAB	11			
1	LABEL, WRAP	10			
1	LABEL, FLAG	9			
AR	SLEEVING, EXPANDABLE	8			
AR	85 OHM TWINAX CABLE, 30AWG 25G TURBO TWIN™	7			
1	OVERMOLDED STRAIN RELIEF, LECB	6			
1	OVERMOLDED STRAIN RELIEF, IFP	5			
1	DUST COVER, LECB (NOT SHOWN)	4			
1	DUST COVER, IFP (NOT SHOWN)	3			
1	LEC 54B RECPT, 54 POSN	2			
1	IFP PLUG, 28 POSN	1			
-5	-3	-2	-1	DESCRIPTION	ITEM NO

THIS DRAWING IS A CONTROLLED DOCUMENT. OWN: T. SMITH 15JUL2016. CHK: C. POGASH 15JUL2016. APVD: -

DIMENSIONS: mm. TOLERANCES UNLESS OTHERWISE SPECIFIED: 0 PLC ±0.5, 1 PLC ±0.5, 2 PLC ±0.13, 3 PLC ±0.013, 4 PLC ±0.013, ANGLES ±.

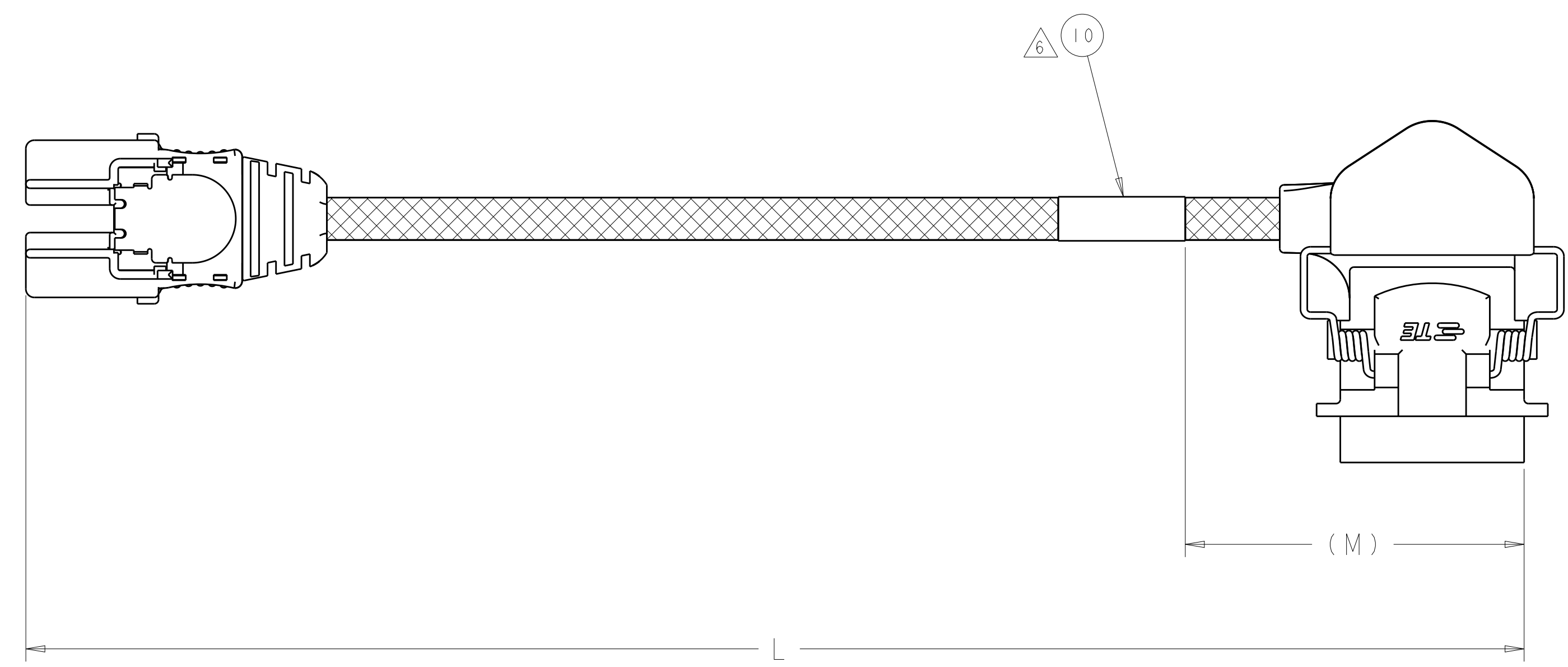
MATERIAL: -. FINISH: -. WEIGHT: -. CUSTOMER DRAWING

PRODUCT SPEC: -. APPLICATION SPEC: -. SIZE: A1. CAGE CODE: -. DRAWING NO: C=2821778. RESTRICTED TO: -. SCALE: 2:1. SHEET: 1 OF 2. REV: B.

INTEL[®] TE Connectivity

NAME: IFP ASSEMBLY, TYPE B, RIGHT EXIT 1-PORT, NON-INVERTED.

REVISIONS				
P.	LTN	DESCRIPTION	DATE	APVD
		SEE SHEET 1		



2821778-2,-3,-5
 WRAP AROUND LABEL
 REQUIREMENT
 ALL ASSEMBLY REQUIREMENTS
 SAME AS -1 EXCEPT FOR
 LABEL

THIS DRAWING IS A CONTROLLED DOCUMENT.		DWN T. SMITH 15JUL2016 CHK C. POGASH 15JUL2016 APVD -	TE TE Connectivity	
DIMENSIONS: mm 		TOLERANCES UNLESS OTHERWISE SPECIFIED: 0 PLC ± 1 PLC ±0.5 2 PLC ±0.13 3 PLC ±0.013 4 PLC ± ANGLES ±		NAME I-PORT ASSEMBLY, TYPE B, RIGHT EXIT I-PORT, NON-INVERTED. PRODUCT SPEC - APPLICATION SPEC -
MATERIAL -		WEIGHT -		SIZE A1 CAGE CODE - DRAWING NO. ©=2821778 RESTRICTED TO -
FINISH -		CUSTOMER DRAWING		SCALE 2:1 SHEET 2 OF 2 REV B

X-ON Electronics

Largest Supplier of Electrical and Electronic Components

Click to view similar products for [Specialised Cables category](#):

Click to view products by [TE Connectivity manufacturer](#):

Other Similar products are found below :

[603PT6](#) [603SS6L](#) [604PT6](#) [604SS6](#) [706000D02F200](#) [910640](#) [1200740077](#) [1200740114](#) [AC172](#) [ACL-SSI-4](#) [R88ACAKA0015SRE](#)
[R88ACAWL005SDE](#) [R88ACRGD0R3C](#) [1300150047](#) [1300660036](#) [1302262116](#) [1300150149](#) [1300220020](#) [1300220104](#) [1300220119](#)
[1301240492](#) [1301810221](#) [1365323-1](#) [1613055](#) [176P12](#) [1971465-2](#) [20240400003](#) [20240400013](#) [2085828-1](#) [20886510030](#) [2-22733-8](#) [22733-](#)
[8](#) [CB-5PSBC-RS](#) [CB-704EC-RS](#) [CB-BATACC-RS](#) [CB-JST3PSW-RS](#) [CB-M12COM-R10](#) [25AC84](#) [25AK84X](#) [25AU25](#) [25FN82](#) [3011-03](#)
[AC118](#) [ACL-HHS-1M\(CAT5E\)](#) [SSL009PC2DC012N](#) [FC2A-KC6C](#) [2085828-2](#) [20886510150](#) [CCS-FCB-5](#) [CCSFCBF2](#)