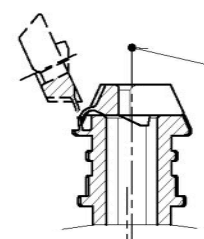
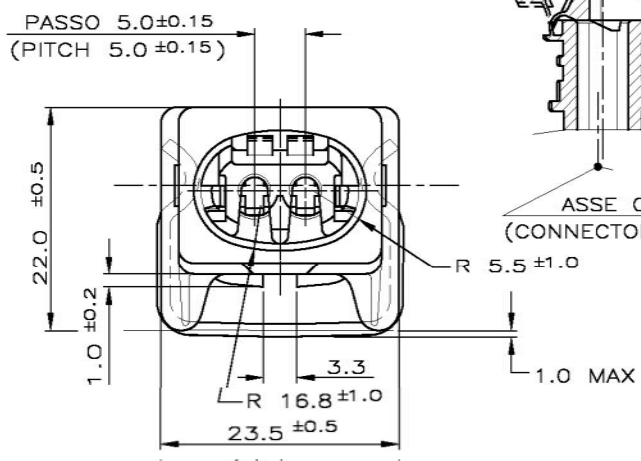
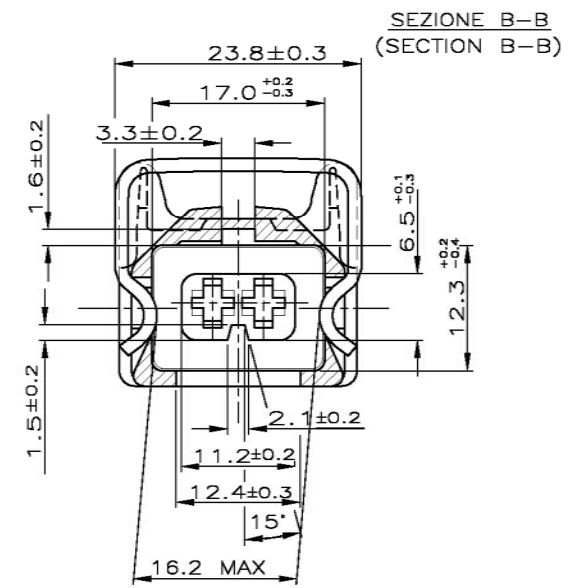
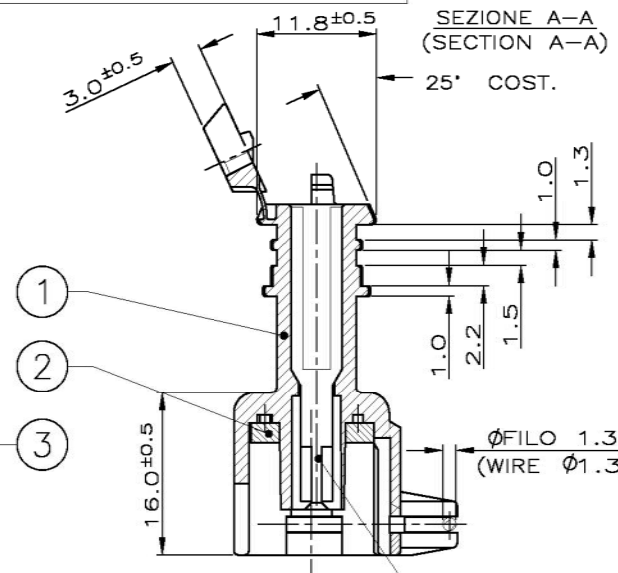
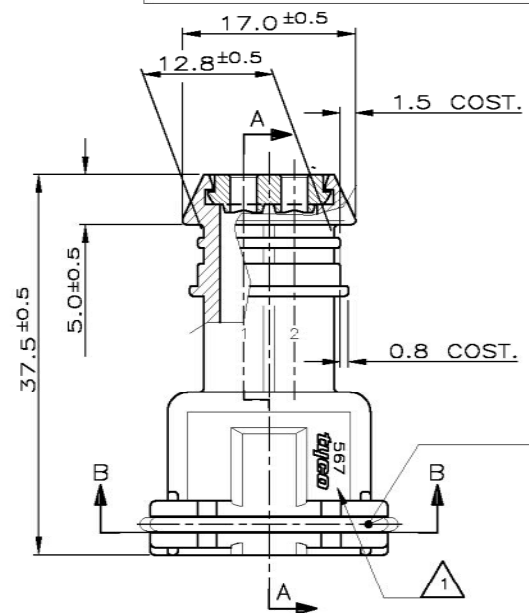


THIS DRAWING IS UNPUBLISHED. RELEASED FOR PUBLICATION ALL RIGHTS RESERVED.

LOC		DIST		REVISIONS					
				P	LTR	DESCRIPTION	DATE	DWN	APVD
				M 1	ECO-15-014129		28-09-2015	M.P.	M.G.

CONNETTORE TIPO A (CON MOLLA DI RITEGNO ESTERNA)  
CONNECTOR TYPE A (WITH EXTERNAL SPRING)



TIP. CAVITA' PER TERMINALI AMP JPT P/N 929939-...  
OPPURE 929937-... E RELATIVI GOMMINI  
AMP P/N 828904-1, 828905-1, 282536-1.  
TAPPO CAVITA' P/N 828906-2  
(TYP. CAV. FOR JPT CONT. P/N 929939-... A/O 929937-... AND REL.  
SINGLE WIRE SEAL P/N 828904-1, 828905-1, 282536-1  
CAVITY PLUG P/N 828906-2)

NERO (BLACK)	2-282189-1
ROSSO (RED)	282189-8
GIALLO (YELLOW)	282189-7
MARRONE (BROWN)	282189-6
BLU (BLUE)	282189-5
VERDE (GREEN)	282189-4
BIANCO (WHITE)	282189-3
GRIGIO (GREY)	282189-2
NERO (BLACK)	282189-1
COLORE (COLOR)	NUMERO (PART. N°)

<b>METRIC</b>	DIAM. ISOLANTE (INS. DIA. RANGE) 1.5-3.0 (REDUCED INS. CABLE)	RANGO FILO (WIRE RANGE) 0.5-2.5 mm <sup>2</sup>
CUSTOMER DWG. FOR REFERENCE ONLY		DISEGNO PER CLIENTE SOLO PER RIFERIMENTO
3	ACCAIO INOX (STAINLESS STEEL)	MOLLA (SPRING)
2	GOMMA SILICONICA (SILICONE RUBBER)	GUARNIZIONE (RUBBER GASKET)
1	PA 6.6	BLOCCETTO (HOUSING)
N (ITEM)	FINITURA / COLORE (FINISH / COLOUR)	MATERIALE (MATERIAL)
		DESCRIZIONE (DESCRIPTION)

THIS DRAWING IS A CONTROLLED DOCUMENT.

DIMENSIONS: mm	TOLEPERANCES UNLESS OTHERWISE SPECIFIED:
	0 PLC ± -
	1 PLC ± 0.3
	2 PLC ± -
	3 PLC ± -
	4 PLC ± -
	ANGLES ± 2'
MATERIAL	FINISH

DWN: Ennio CINI	NOV. 9'90	<b>STE</b> TE Connectivity
CHK: C.TARTARI	13 OCT 92	
APVD: -		
PRODUCT SPEC: -		
APPLICATION SPEC: -		NAME: 2 W.SPLASH PROOF CONN.ASS'Y with SECONDARY LOCK
WEIGHT: -		SIZE: A3
CUSTOMER DRAWING		CAGE CODE: 00779
		DRAWING NO: C-282189
		RESTRICTED TO: -
		SCALE: -
		SHEET: 1 of 2
		REV: M1

- 1 LOGO TYCO O, IN ALTERNATIVA, LOGO AMP (TYCO LOGO OR, IN ALTERNATIVE, AMP LOGO) (AMP)
- 2 DIFFERISCE DAL ...-1 ESCLUSIVAMENTE PER IL PACKAGING (DIFFERS FROM ...-1 ONLY FOR PACKAGING DETAILS)
- 3) PER DIMENSIONI CONTROPARTE VEDERE FOGLIO 2 (FOR COUNTERPART DIMENSIONS SEE SHEET 2)
- 4) SPECIFICA DI IMBALLO TE Nr. 107-20047 (TE PACKAGING SPECIFICATION No.107-20047)



## X-ON Electronics

Largest Supplier of Electrical and Electronic Components

*Click to view similar products for [Automotive Connectors](#) category:*

*Click to view products by [TE Connectivity](#) manufacturer:*

Other Similar products are found below :

[003-018-000](#) [60403001](#) [60993906-B](#) [M902-2131](#) [M902-2161](#) [72.330.1035.1](#) [73.353.4028.0](#) [F119300-B](#) [F166900](#) [F258300-B](#) [F358300-B](#)  
[F407400](#) [F444110](#) [F487000](#) [F509500B-B](#) [827153-1](#) [8N1515-32-24P](#) [9-1326729-8](#) [925474-1](#) [928905-1](#) [964562-4](#) [968782-1](#) [GT17SA-8DS-](#)  
[HU](#) [98891-1012](#) [98947-1016](#) [12004147](#) [12004475-L](#) [12010290](#) [12010309-B](#) [12015454](#) [12020219-B](#) [12020308](#) [12041318-B](#) [12052225-L](#)  
[12052466](#) [12059125](#) [12064869](#) [12004327-B](#) [12010503-B](#) [12015308](#) [12015384](#) [12015909](#) [1-21030-1](#) [12041254](#) [12041318](#) [12047946-B](#)  
[12047957](#) [12047957-L](#) [12059473](#) [12066261](#)