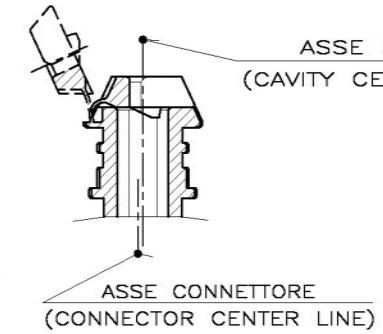
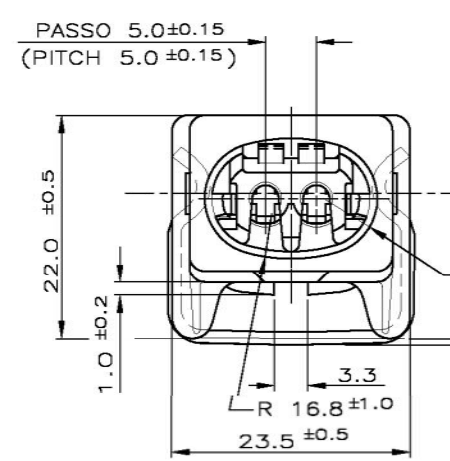
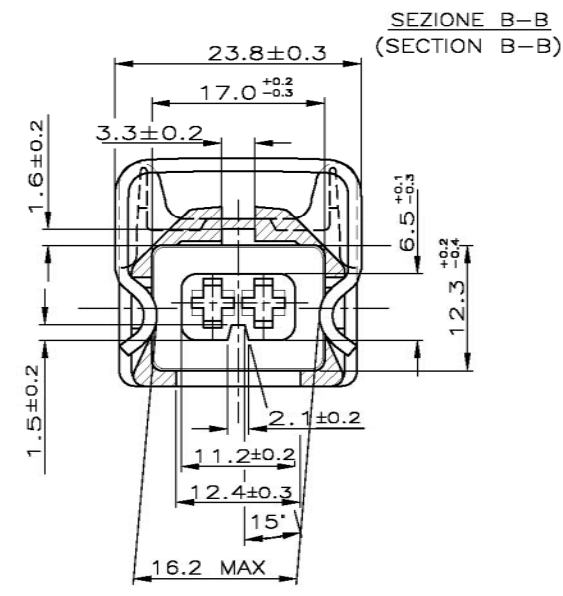
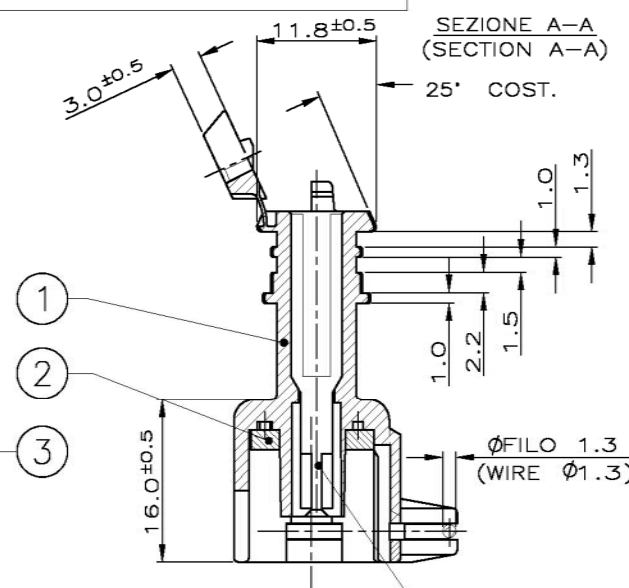
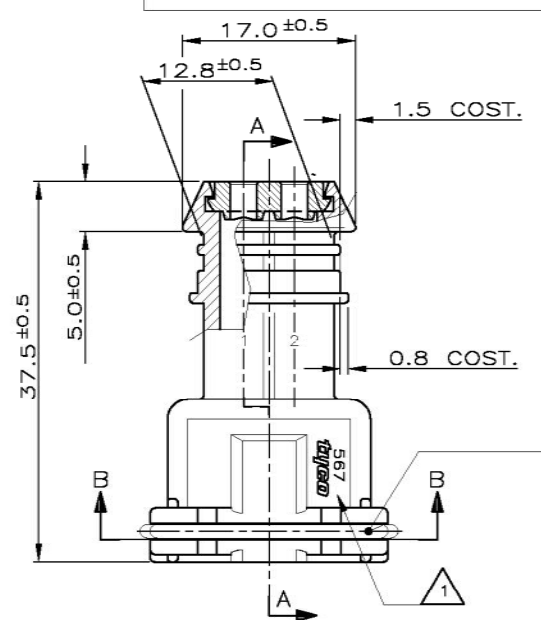


CONNETTORE TIPO A (CON MOLLA DI RITEGNO ESTERNA)  
CONNECTOR TYPE A (WITH EXTERNAL SPRING)



TIP. CAVITA' PER TERMINALI AMP JPT P/N 929939-...  
OPPURE 929937-... E RELATIVI GOMMINI  
AMP P/N 828904-1, 828905-1, 282536-1.  
TAPPO CAVITA' P/N 828906-2  
(TYP. CAV. FOR JPT CONT. P/N 929939-... A/O 929937-... AND REL.  
SINGLE WIRE SEAL P/N 828904-1, 828905-1, 282536-1  
CAVITY PLUG P/N 828906-2)

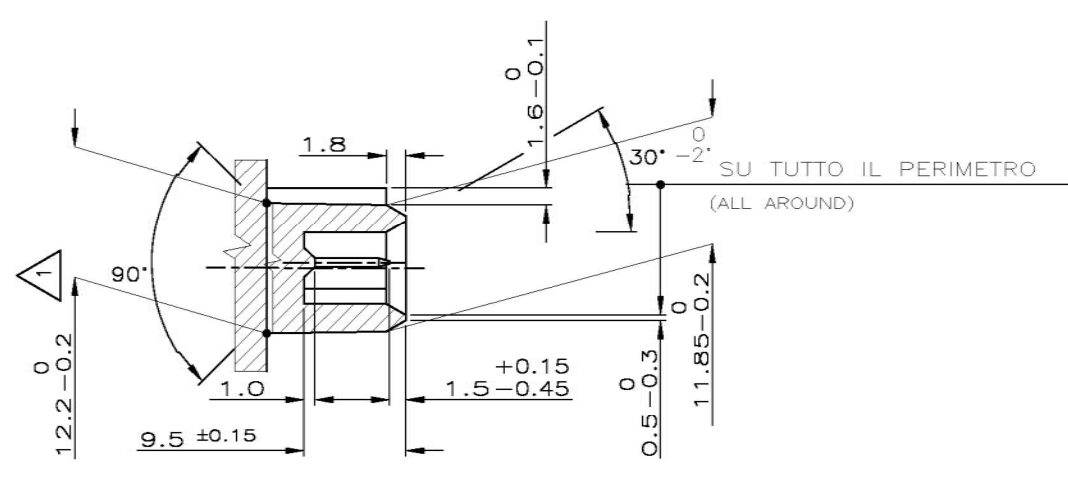
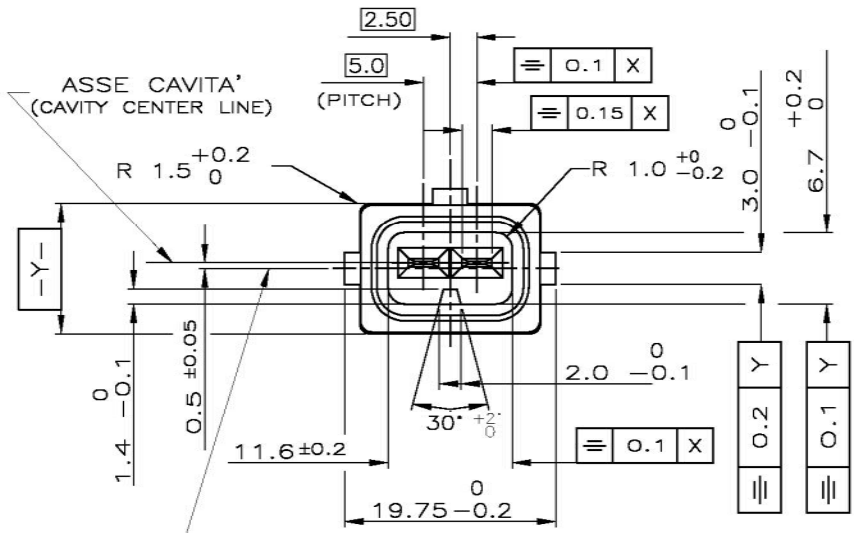
METRIC		DIAM. ISOLANTE (INS. DIA. RANGE) 1.5-3.0 (REDUCED INS. CABLE)		RANGO FILO (WIRE RANGE) 0.5-2.5 mm <sup>2</sup>	
NERO (BLACK)	2-282189-1	CUSTOMER DWG. FOR REFERENCE ONLY		DISEGNO PER CLIENTE SOLO PER RIFERIMENTO	
ROSSO (RED)	282189-8	3	//////	ACCIAIO INOX (STAINLESS STEEL)	MOLLA (SPRING)
GIALLO (YELLOW)	282189-7			GOMMA SILICONICA (SILICONE RUBBER)	GUARNIZIONE (RUBBER GASKET)
MARRONE (BROWN)	282189-6	2	NATURALE (CLEAR)	PA 6.6	BLOCCETTO (HOUSING)
BLU (BLUE)	282189-5				
VERDE (GREEN)	282189-4	1	//////	MATERIALE (MATERIAL)	DESCRIZIONE (DESCRIPTION)
BIANCO (WHITE)	282189-3				
GRIGIO (GREY)	282189-2	NUMERO PART. N' (ITEM)		FINITURA / COLORE (FINISH / COLOUR)	
NERO (BLACK)	282189-1				

- 1 LOGO TYCO O, IN ALTERNATIVA, LOGO AMP (TYCO LOGO OR, IN ALTERNATIVE, AMP LOGO) (AMP)
- 2 DIFFERISCE DAL ...-1 ESCLUSIVAMENTE PER IL PACKAGING (DIFFERS FROM ...-1 ONLY FOR PACKAGING DETAILS)
- 3) PER DIMENSIONI CONTROPARTE VEDERE FOGLIO 2 (FOR COUNTERPART DIMENSIONS SEE SHEET 2)
- 4) SPECIFICA DI IMBALLO TE Nr. 107-20047 (TE PACKAGING SPECIFICATION No.107-20047)

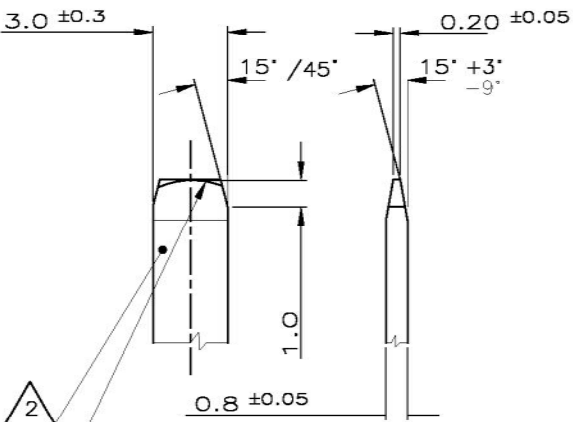
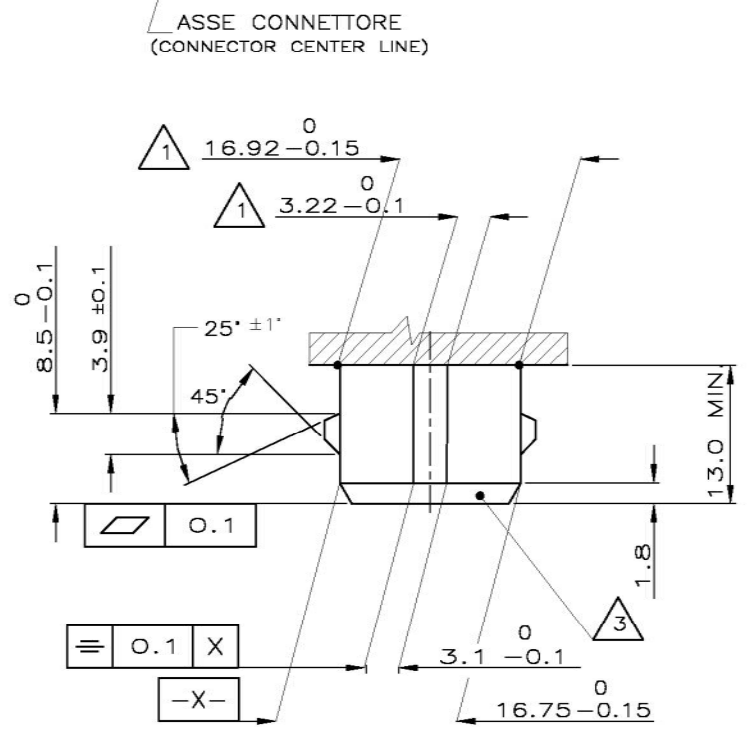
THIS DRAWING IS A CONTROLLED DOCUMENT.

DIMENSIONS: mm	TOLEANCES UNLESS OTHERWISE SPECIFIED: 0 PLC ± - 1 PLC ± 0.3 2 PLC ± - 3 PLC ± - 4 PLC ± - ANGLES ± 2'	DWN Ennio CINI NOV. 9'90	TE Connectivity		
MATERIAL	FINISH	CHK C.TARTARI 13 OCT 92	2 W.SPLASH PROOF CONN.ASS'Y with SECONDARY LOCK		
MATERIAL		APVD	SIZE A3	CAGE CODE 00779	DRAWING NO C-282189
MATERIAL		PRODUCT SPEC	RESTRICTED TO		
MATERIAL		APPLICATION SPEC	SCALE		SHEET 1 of 2
MATERIAL		WEIGHT	CUSTOMER DRAWING		REV M1

LOC	DIST	REVISIONS					
I	-	P	LTR	DESCRIPTION	DATE	DWN	APVD
		-		SEE SHEET 1	-	-	-



DETT. LINGUETTA TAB-SCALA 5:1  
(TAB DETAIL)



FORMA ALTERNATIVA PERMESSA CON RAGGIO  
(ALLOWED ALTERNATIVE PROFILE WITH RADIUS)

- 1 QUOTE APPLICABILI PER SFORMATURA PEZZO (DRAFT PERMITTED TO FACILITATE REMOVAL OF PART FROM THE MOULD)
- 2 MATERIALE LINGUETTE: LEGA DI RAME STAGNATA, ES. OTTONE STAGNATO. (TAB CONTACT MATERIAL: TIN PLATED COPPER ALLOY. E.G. BRASS TIN PLATED)
- 3 MATERIALE BLOCCHETTO: TERMOPLASTICO CARICATO FIBRA VETRO. (HOUSING MATERIAL: THERMOPLASTIC, GLASS FIBER FILLED)

<b>METRIC</b>	DIAM. ISOLANTE (INS. DIA. RANGE)	RANGO FILO (WIRE RANGE)
	---	---

CUSTOMER DWG. FOR REFERENCE ONLY      DISEGNO PER CLIENTE SOLO PER RIFERIMENTO

THIS DRAWING IS A CONTROLLED DOCUMENT.		DWN	-	NAME		2 POS.SPLASH PROOF CONN.ASS'Y with SECONDARY LOCK		
DIMENSIONS: mm		CHK	-	SIZE		CAGE CODE	DRAWING NO	RESTRICTED TO
TOLEANCES UNLESS OTHERWISE SPECIFIED:		APVD	-	A3		00779	C-282189	-
0 PLC ± -		PRODUCT SPEC	-	CUSTOMER DRAWING		SCALE	SHEET	REV
1 PLC ± 0.3		APPLICATION SPEC	-	CUSTOMER DRAWING		-	2 of 2	M1
2 PLC ± -		WEIGHT	-	CUSTOMER DRAWING		-	-	-
3 PLC ± -				CUSTOMER DRAWING		-	-	-
4 PLC ± -				CUSTOMER DRAWING		-	-	-
ANGLES ± 2'				CUSTOMER DRAWING		-	-	-
MATERIAL				CUSTOMER DRAWING		-	-	-
FINISH				CUSTOMER DRAWING		-	-	-

FINITURA / COLORE (FINISH / COLOUR)	MATERIALE (MATERIAL)	NUMERO (PART NUMBER)

## X-ON Electronics

Largest Supplier of Electrical and Electronic Components

*Click to view similar products for [Automotive Connectors](#) category:*

*Click to view products by [TE Connectivity](#) manufacturer:*

Other Similar products are found below :

[003-018-000](#) [60403001](#) [60993906-B](#) [M902-2131](#) [M902-2161](#) [M902-2344](#) [72.330.1035.1](#) [73.353.4028.0](#) [F119300-B](#) [F166900](#) [F258300-B](#)  
[F358300-B](#) [F407400](#) [F444110](#) [F487000](#) [F509500B-B](#) [827153-1](#) [8N1515-32-24P](#) [9-1326729-8](#) [925474-1](#) [928905-1](#) [964562-4](#) [968782-1](#)  
[GT17SA-8DS-HU](#) [98891-1012](#) [98947-1016](#) [12004147](#) [12004475-L](#) [12010290](#) [12015454](#) [12020219-B](#) [12041318-B](#) [12052225-L](#) [12052466](#)  
[12064869](#) [12004327-B](#) [12015308](#) [12015384](#) [12015909](#) [1-21030-1](#) [12041254](#) [12041318](#) [12047946-B](#) [12047957](#) [12047957-L](#) [12059473](#)  
[12066261](#) [12110546](#) [12110546-B](#) [12131792](#)