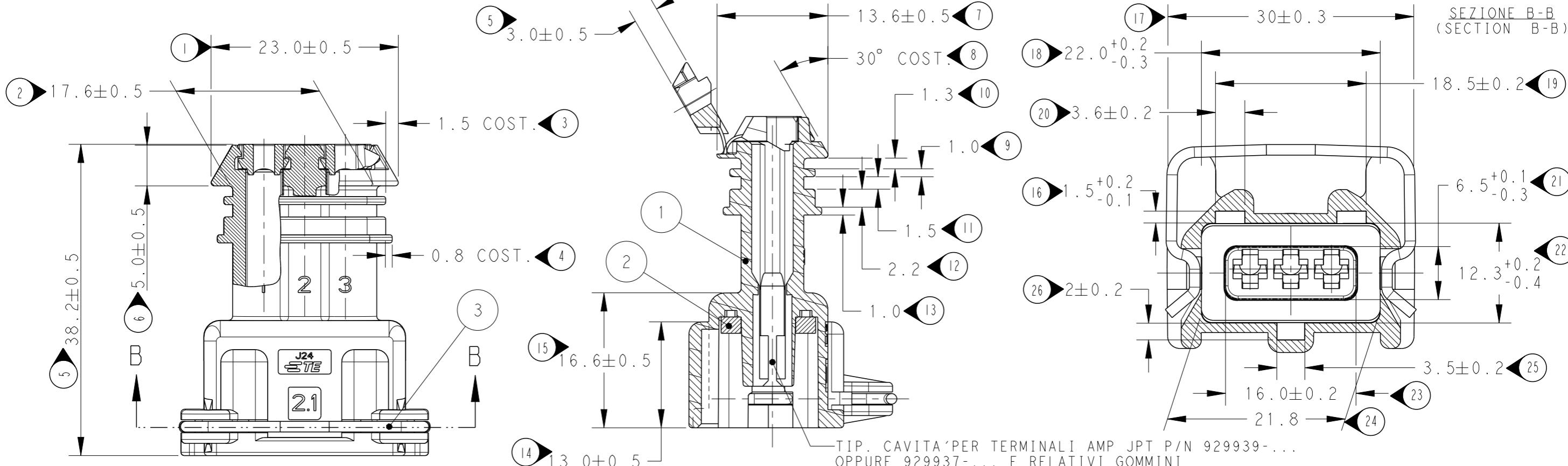


P	LTR	DESCRIPTION	DATE	DWN	APVD
P3		REVISED PER ECO-20-003216	05JUN2020	AP	VN

CONNECTOR TIPO A (CON MOLLA DI RITEGNO ESTERNA)
CONNECTOR TYPE B (WITH EXTERNAL SPRING)

SECTION A-A

SEZIONE B-B
(SECTION B-B)



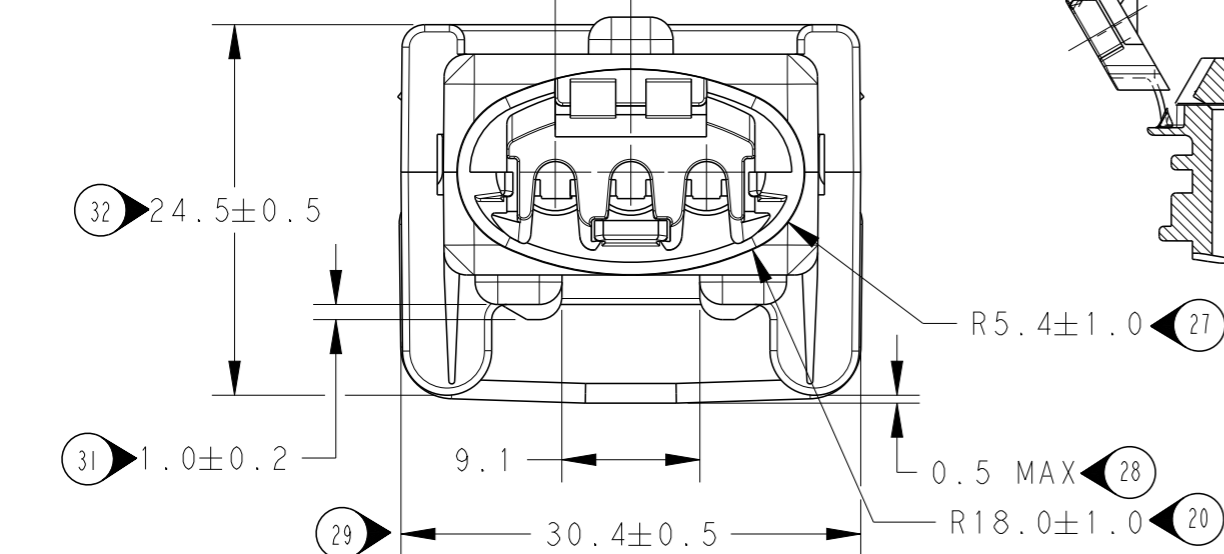
TIP. CAVITA' PER TERMINALI AMP JPT P/N 929939-...
OPPURE 929937-... E RELATIVI GOMMINI
AMP P/N 828904-1, 828905-1, 282536-1.
TAPPO CAVITA' P/N 828906-2
(TYP. CAV FOR JPT CONT. P/N 929939-...
A/O 929937-... AND REL. SINGLE WIRE SEAL
P/N 828904-1, 828905-1, 282536-1
CAVITY PLUG P/N 828906-2)

DIAM (ISOLANTE) (INS. DIA. RANGE)	RANGE FILO (WIRE RANGE)
1.5-3.0 mm (RED. INS. CABLE)	0.5-2.5 mm ²

33) PASSO 5.0 ± 0.15 TIP
(PITCH 5.0 ± 0.15 TYP)

ASSE CONNETTORE
(CONNECTOR CENTER LINE)

ASSE CAVITA'
(CAVITY CENTER LINE)



NERO (BLACK)	2-282191-1 P1	P1
NERO (BLACK)	1-282191-1	
ROSSO (RED)	---	
GIALLO (YELLOW)	---	
MARRONE (BROWN)	282191-6	
BLU (BLUE)	282191-5	
VERDE (GREEN)	282191-4	
NATURALE (NATUR)	282191-3	
GRIGIO (GREY)	282191-2	
NERO (BLACK)	282191-1	

SUPERSEDED BY 282191-1		CUSTOMER DRAWING FOR REFERENCE ONLY		DISEGNO PER CLIENTE SOLO PER RIFERIMENTO	
3	\\\\\\\\\\\\\\\\	ACCIAIO INOX (STAINLESS STEEL)	MOLLA (SPRING)		
2	NATURALE (NATURAL)	GOMMA SILICONE (SILICONE RUBER)	GUARNIZIONE (RUBBER GASKET)		
1	\\\\\\\\\\\\\\\\	PA 6.6	BLOCCHETTO (HOUSING)		
NUMERO PART NO.	ASSY REV NO. (ITEM)	FINITURA/COLORE (FINISH/COLOUR)	MATERIALE (MATERIAL)	DESCRIZIONE (DESCRIPTION)	

1) DIFFERISCE DAL ...-1 ESCLUSIVAMENTE PER IL PACKAGING
(DIFFERS FROM ...-1 ONLY FOR PACKAGING DETAILS)

2) PER DIMENSIONI CONTROPARTE VEDERE FOGLIO 2
(FOR COUNTERPART DIMENSIONS SEE SHEET 2)

THIS DRAWING IS A CONTROLLED DOCUMENT.

DIMENSIONS: mm	TOLERANCES UNLESS OTHERWISE SPECIFIED:
	0 PLC ±-
	1 PLC ±0.3
	2 PLC ±-
	3 PLC ±-
	4 PLC ±-
	ANGLES ±2°
MATERIAL	FINISH

DWN	9 NOV 90
CHK	E. CINI
CHK	C. TARTARI
APVD	13 OCT 92
PRODUCT SPEC	-
APPLICATION SPEC	-
WEIGHT	-
CUSTOMER DRAWING	

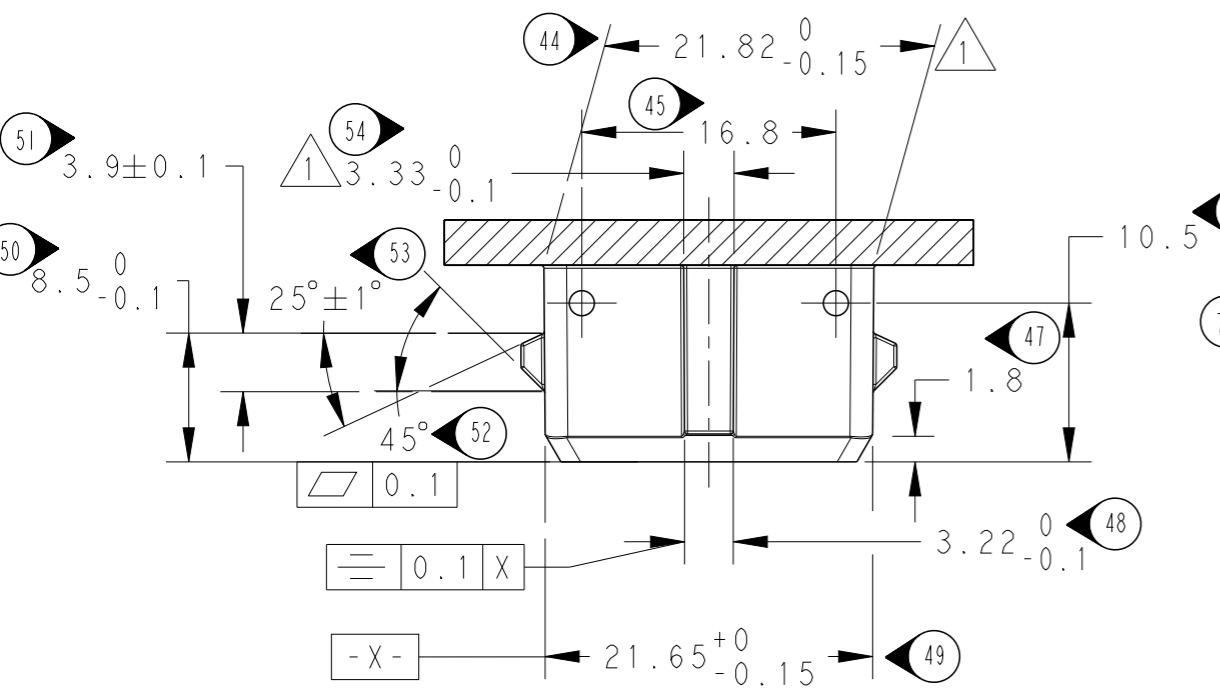
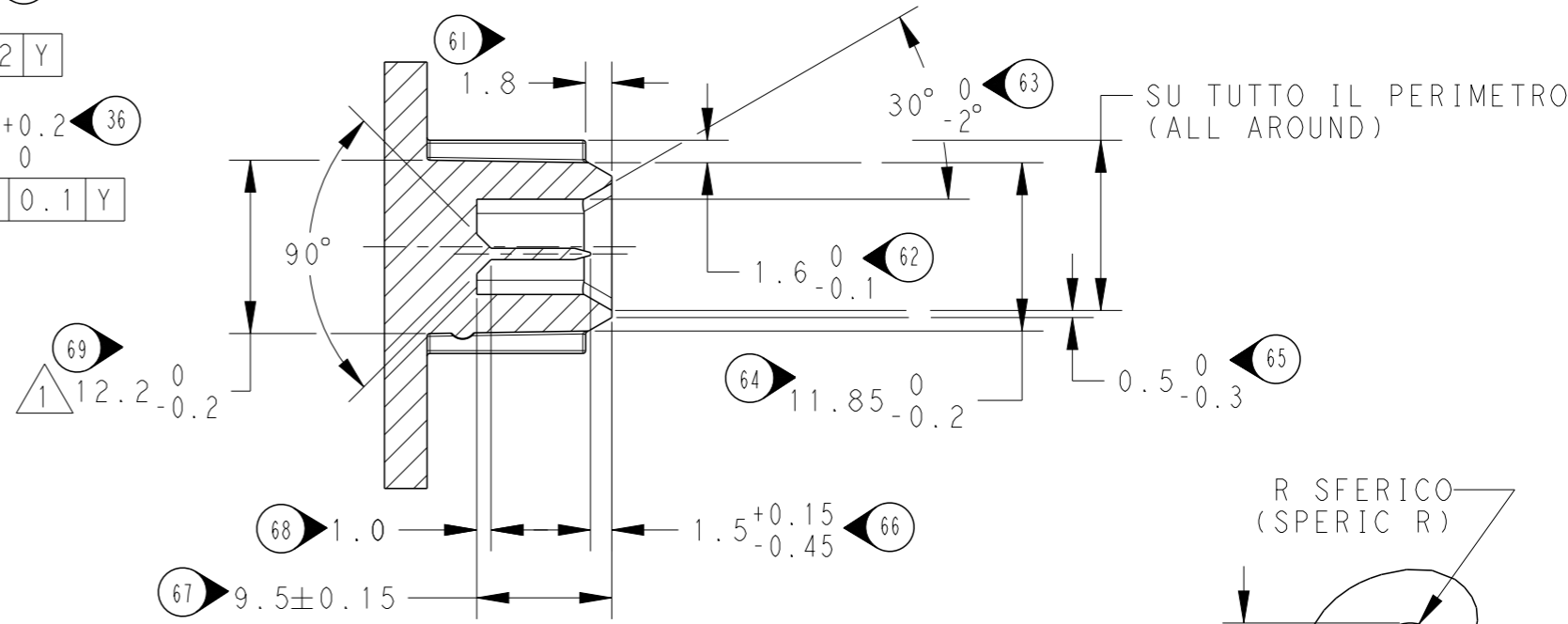
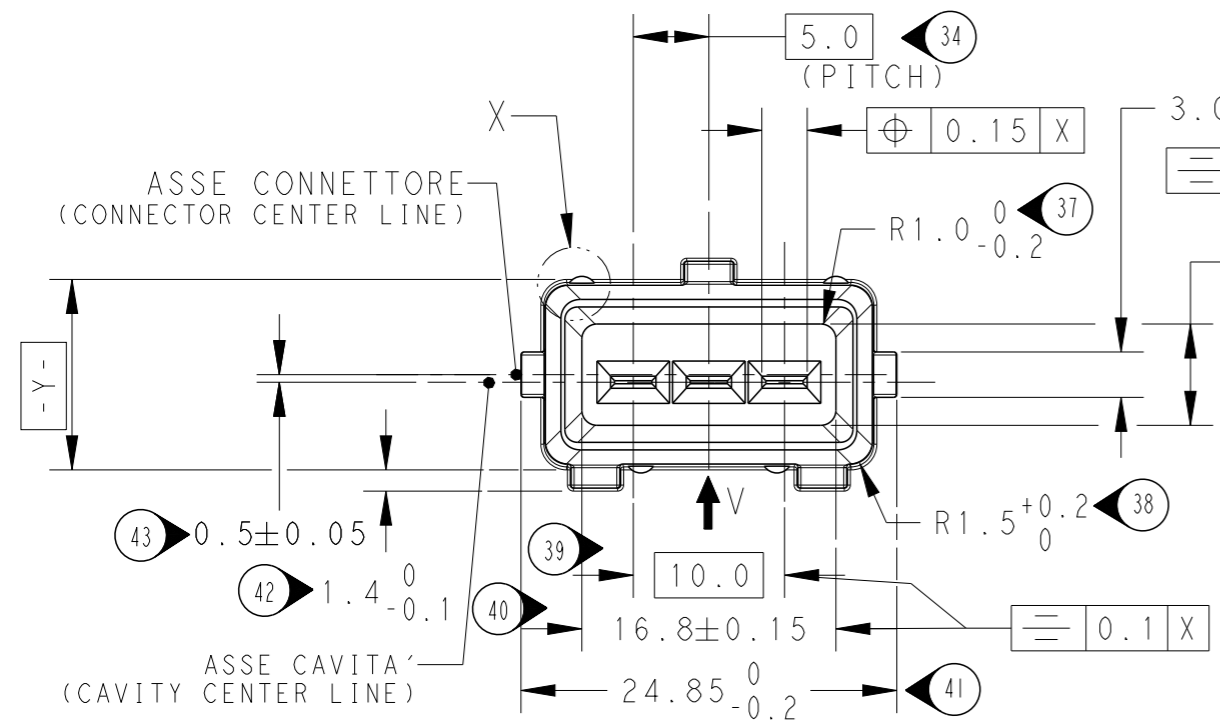
STE TE Connectivity

NAME: 3 W. SPLASH PROOF CONN. ASS'Y WITH SECONDARY LOCK

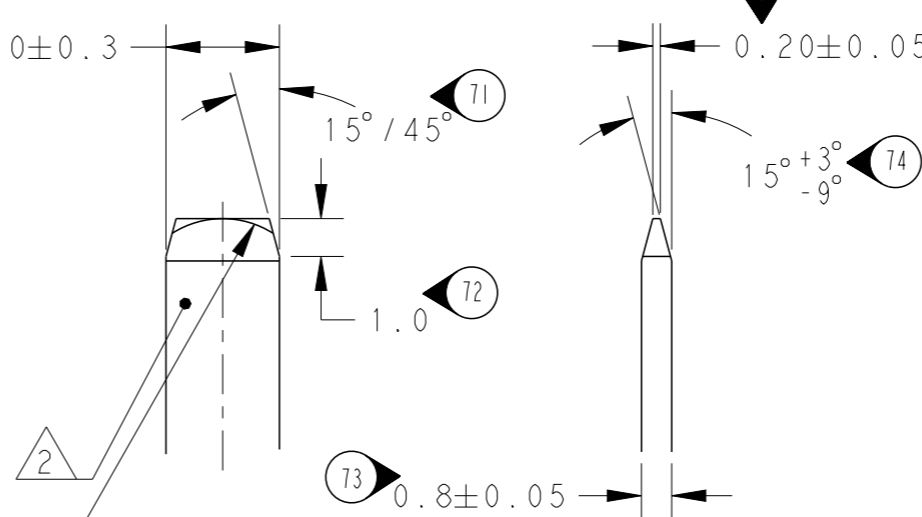
SIZE: A3 CAGE CODE: - DRAWING NO: C-282191 RESTRICTED TO: -

SCALE: 2:1 SHEET: 1 OF 2 REV: P3

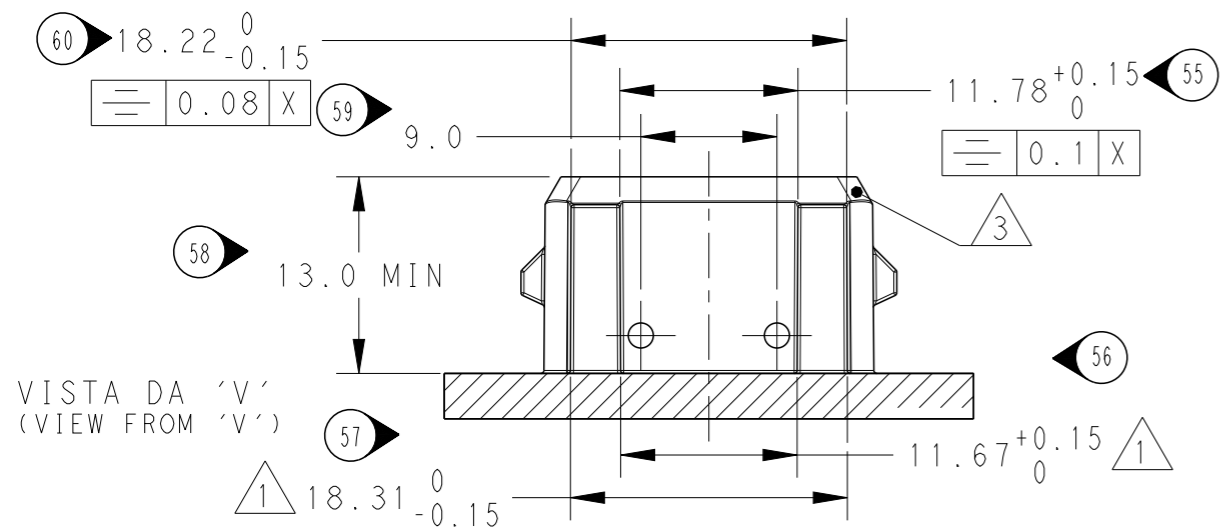
P	LTR	DESCRIPTION	DATE	DWN	APVD
-	-	SEE SHEET 1	-	-	-



DETT. LINGUETTA TAB-SCALA 5:1- (TAB DETAIL)



- 1 QUOTE APPLICABILI PER SFORMATURA PEZZO (DRAFT PERMITTED TO FACILITATE REMOVAL OF PART FROM THE MOULD)
- 2 MATERIALE LINGUETTE, LEGA DI RAME STAGNATA, ES. OTTONE STAGNATO. (TAB CONTACT MATERIAL, TIN PLATED COPPER ALLOY, E.G BRASS TIN PLATED)
- 3 MATERIALE BLOCCHETTO, TERMOPLASTICO CARICATO FIBRA VETRO. (HOUSING MATERIAL, THERMOPLASTIC, GLASS FIBER FILLED)



THIS DRAWING IS A CONTROLLED DOCUMENT.		DWN	9 NOV 90		 TE Connectivity
		CHK	13 OCT 92		
		APVD			
		PRODUCT SPEC			
DIMENSIONS:		TOLERANCES UNLESS OTHERWISE SPECIFIED:		NAME	
mm		0 PLC ±-		3 W.SPLASH PROOF CONN.ASS'Y	
		1 PLC ±0.3		WITH SECONDARY LOCK	
		2 PLC ±-		SIZE	
		3 PLC ±-		CAGE CODE	
		4 PLC ±-		DRAWING NO	
		ANGLES ±2°		RESTRICTED TO	
MATERIAL		FINISH		WEIGHT	
				A3	
				C=282191	
				SCALE	
				5:2	
				SHEET	
				2 OF 2	
				REV	
				P3	

X-ON Electronics

Largest Supplier of Electrical and Electronic Components

Click to view similar products for [Automotive Connectors](#) category:

Click to view products by [TE Connectivity](#) manufacturer:

Other Similar products are found below :

[003-018-000](#) [60403001](#) [60993906-B](#) [M902-2131](#) [M902-2161](#) [M902-2344](#) [72.330.1035.1](#) [73.353.4028.0](#) [F119300-B](#) [F166900](#) [F258300-B](#)
[F358300-B](#) [F407400](#) [F444110](#) [F487000](#) [F509500B-B](#) [827153-1](#) [8N1515-32-24P](#) [9-1326729-8](#) [925474-1](#) [928905-1](#) [964562-4](#) [968782-1](#)
[GT17SA-8DS-HU](#) [98891-1012](#) [98947-1016](#) [12004147](#) [12004475-L](#) [12010290](#) [12010309-B](#) [12015454](#) [12020219-B](#) [12041318-B](#) [12052225-](#)
[L](#) [12052466](#) [12064869](#) [12004327-B](#) [12015308](#) [12015384](#) [12015909](#) [1-21030-1](#) [12041254](#) [12041318](#) [12047946-B](#) [12047957](#) [12047957-L](#)
[12059473](#) [12066261](#) [12110546](#) [12110546-B](#)