

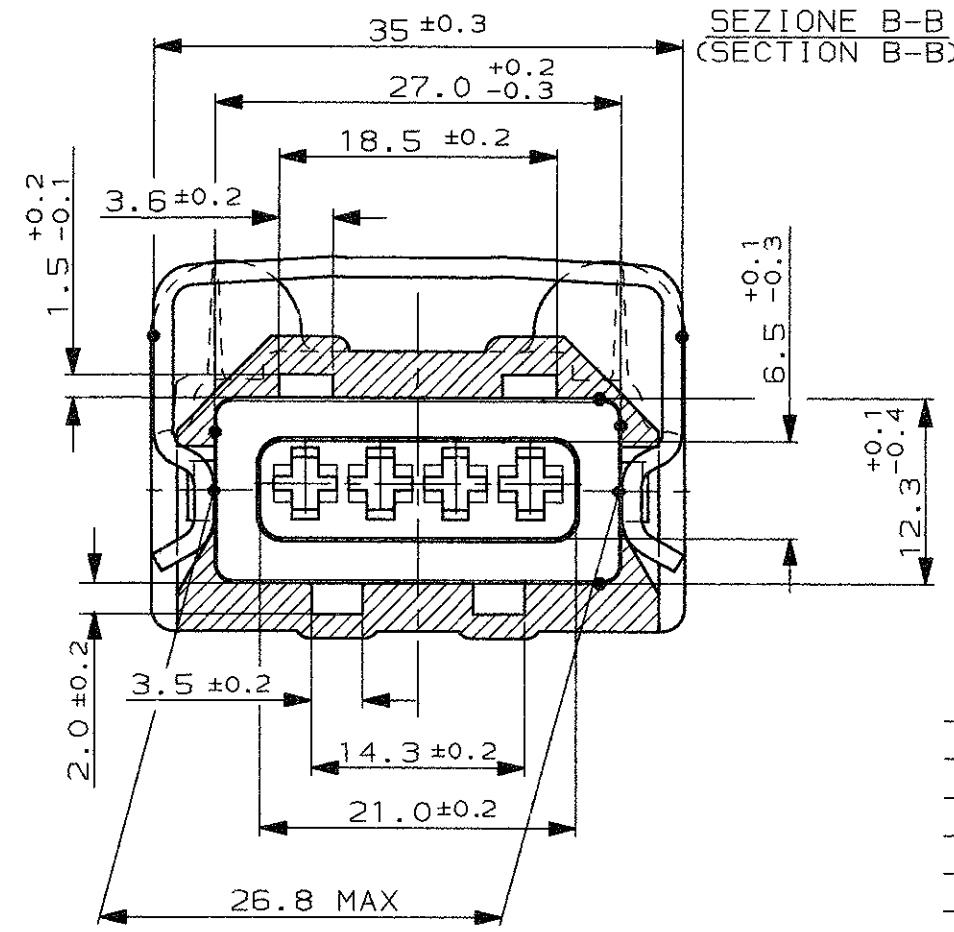
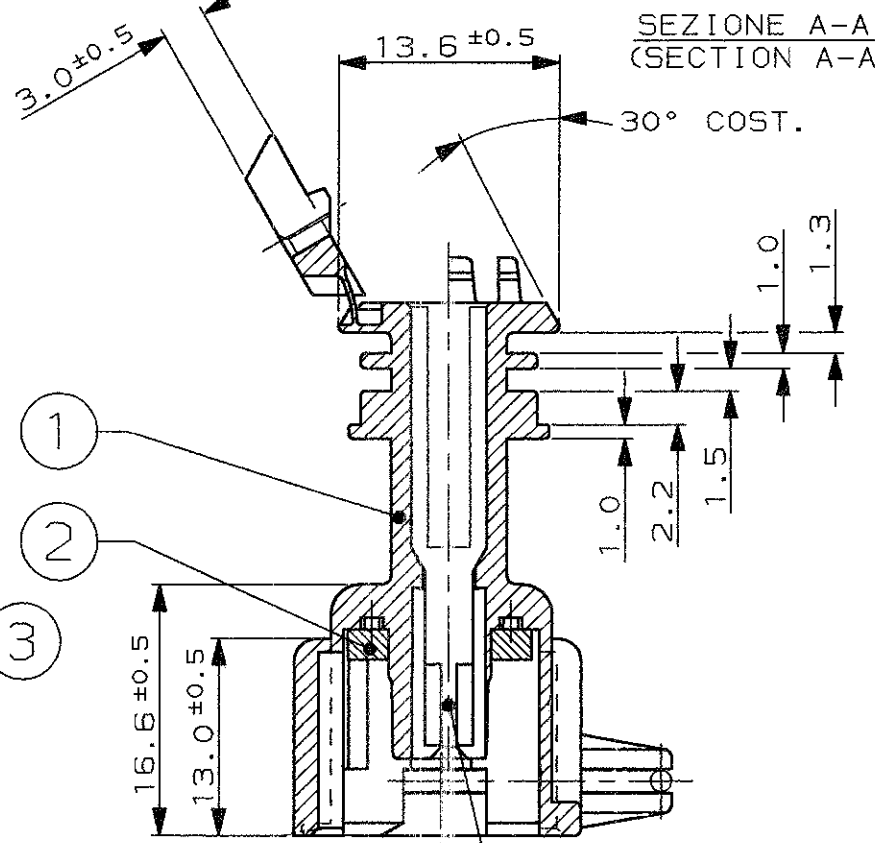
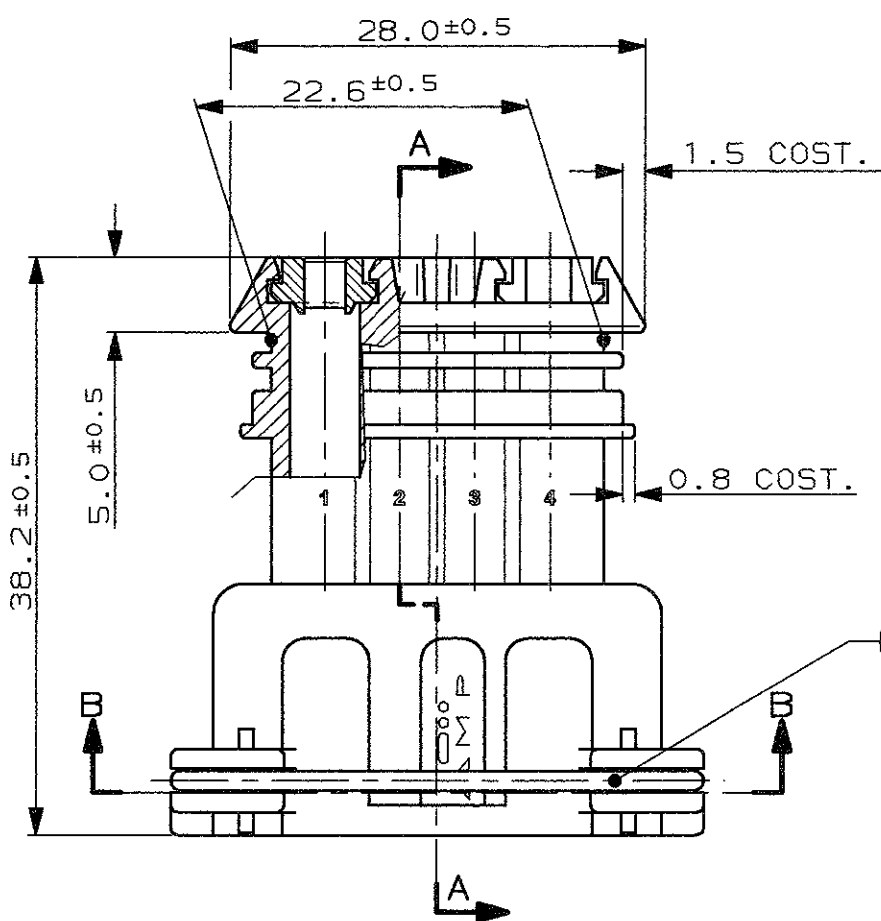
CONNETTORE TIPO A (CON MOLLA DI RITEGNO ESTERNA)
CONNECTOR TYPE A (WITH EXTERNAL SPRING)

SCALA NON IMPEGNATIVA
(DO NOT SCALE)
DIMENSIONI IN mm
(DIMENSIONS IN)

METRIC

PROIEZIONE EUROPEA
(EUROPEAN PROJECTION)

A
B
C
D
E
F

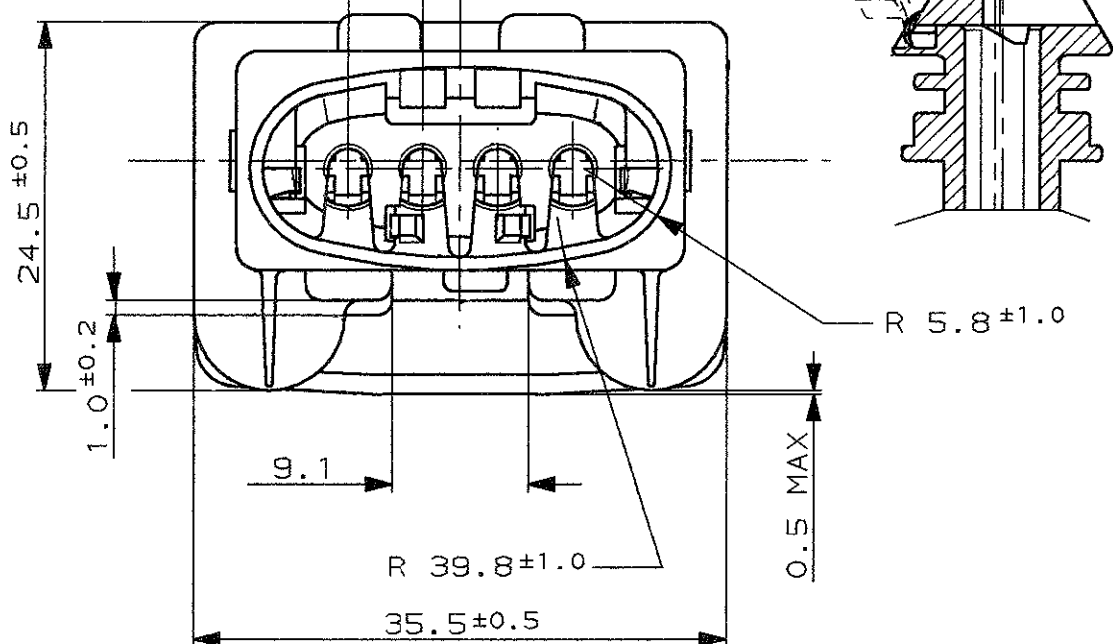


TIP. CAVITA' PER TERMINALI AMP JPT P/N 929939-...
OPPURE 929937-... E RELATIVI GOMMINI
P/N 828904-1, 828905-1, 282536-1.
TAPPO CAVITA' P/N 828906-2
(TYP. CAV. FOR JPT CONT. P/N 929939-... A/O 929937-... AND REL.
SINGLE WIRE SEAL P/N 828904-1, 828905-1, 282536-1
CAVITY PLUG P/N 828906-2)

ASSE CONNETTORE
(CONNECTOR CENTER LINE)

ASSE CAVITA'
(CAVITY CENTER LINE)

PASSO 5.0±0.15 TIP.
(PITCH 5.0±0.15 TYP.)



ROSSO (RED)					
GIALLO (YELLOW)					
MARRONE (BROWN)	282192-3	N	3	//////	ACCIAIO INOX (STAINLESS STEEL)
BLU (BLUE)					MOLLA (SPRING)
VERDE (GREEN)			2	NATURALE (NATURAL)	GOMMA (RUBBER)
NATURALE (NATUR)					GUARNIZIONE (RUBBER GASKET)
GRIGIO (GREY)	282192-2				PA 6.6
NERO (BLACK)	282192-1	N	1	//////	BLOCCHETTO (HOUSING)
COLORE (COLOR)	NUMERO (PART N°)	ASSY. REV.	N° (ITEM)	FINITURA / COLORE (FINISH / COLOUR)	MATERIALE (MATERIAL)

CUSTOMER DWG. FOR REFERENCE ONLY
DISEGNO PER CLIENTE SOLO PER RIFERIMENTO

THIS DRAWING IS UNPUBLISHED | RELEASE FOR PUBLICATION

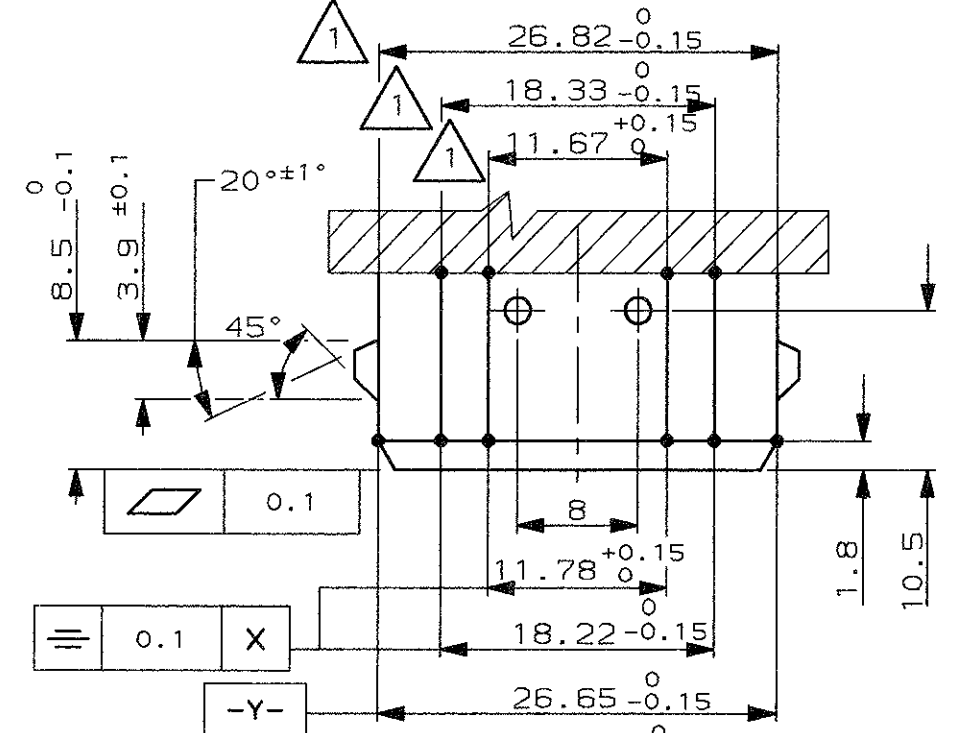
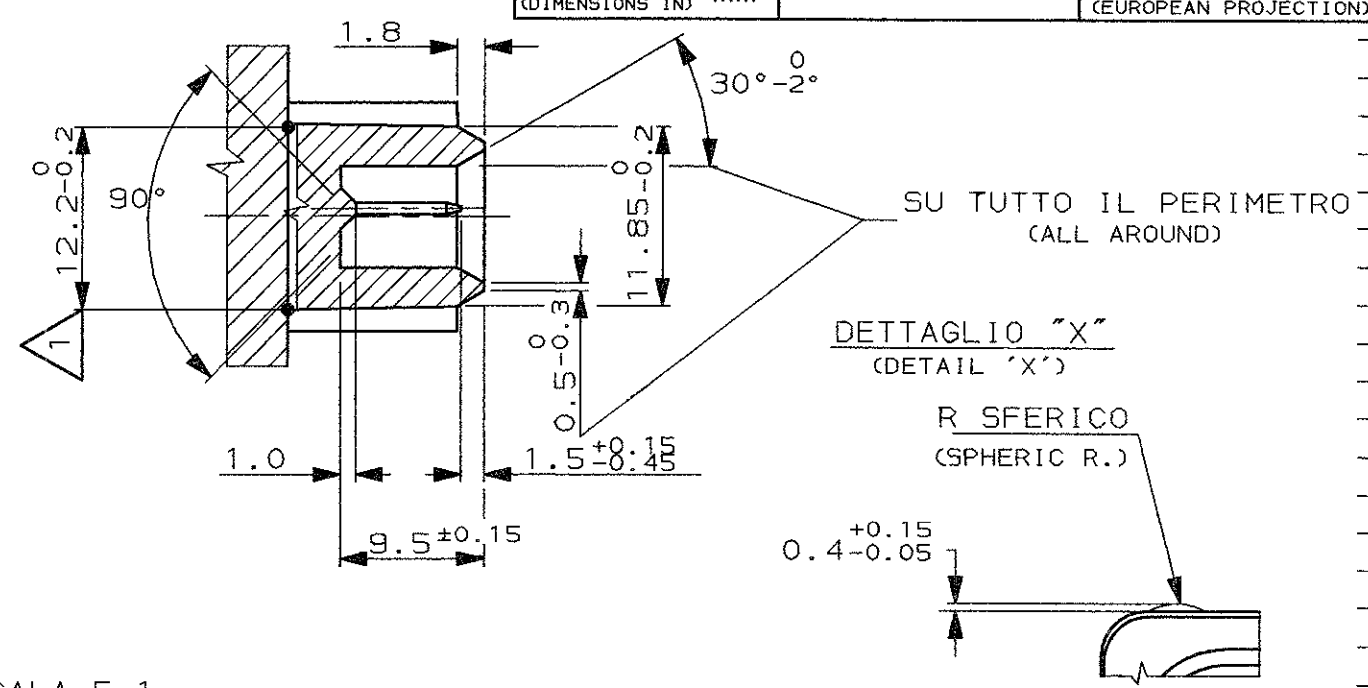
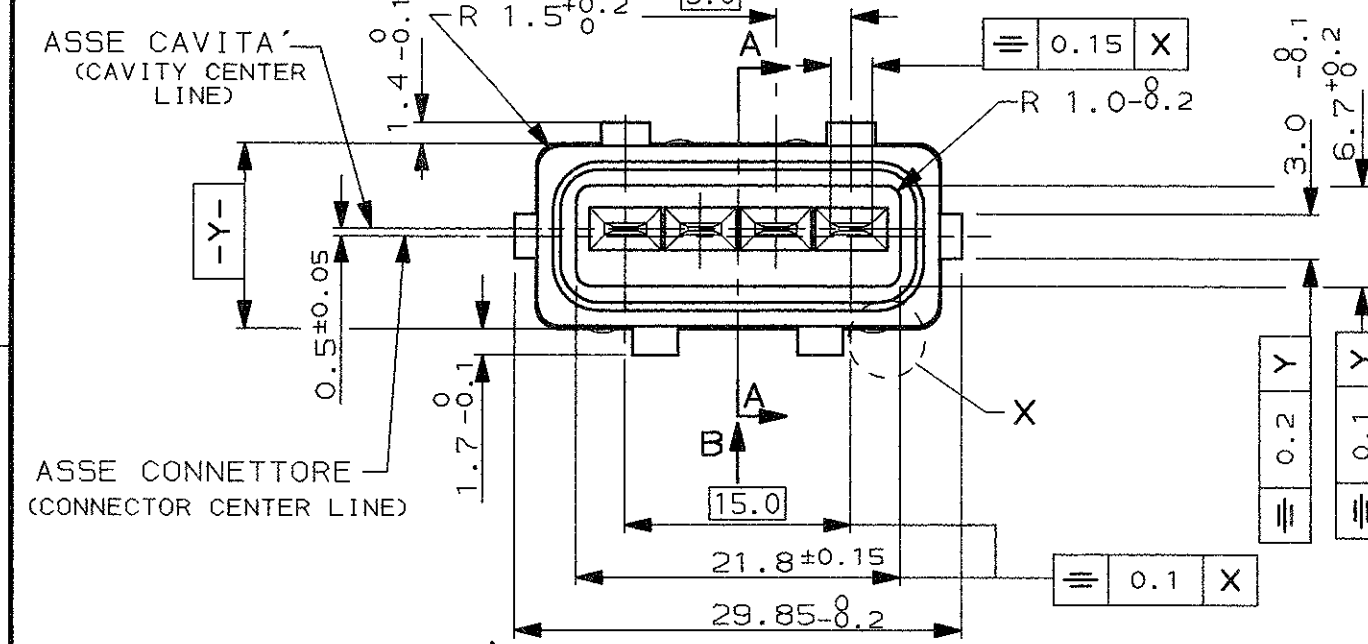
TOLLERANZE, SE NON DIVERSAMENTE SPECIFICATO (TOLERANCES, UNLESS OTHERWISE SPECIFIED)	DIAM. ISOLANTE (INS. DIA. RANGE) 1.5-3.0 (REDUCED INS. CABLE)	RANGO FILO (WIRE RANGE) 0.5-2.5 mm ²	SCALA (SCALE) ***
± 0.3	STE TE Connectivity		
ANGOLI (ANGLES) ± 2°			

DIS. NOV. 9 '90 (COR.)
Ennio CINI
DESCRIZIONE (DESCRIPTION)
4 W. SPLASH PROOF CONN. ASS'Y with SECONDARY LOCK

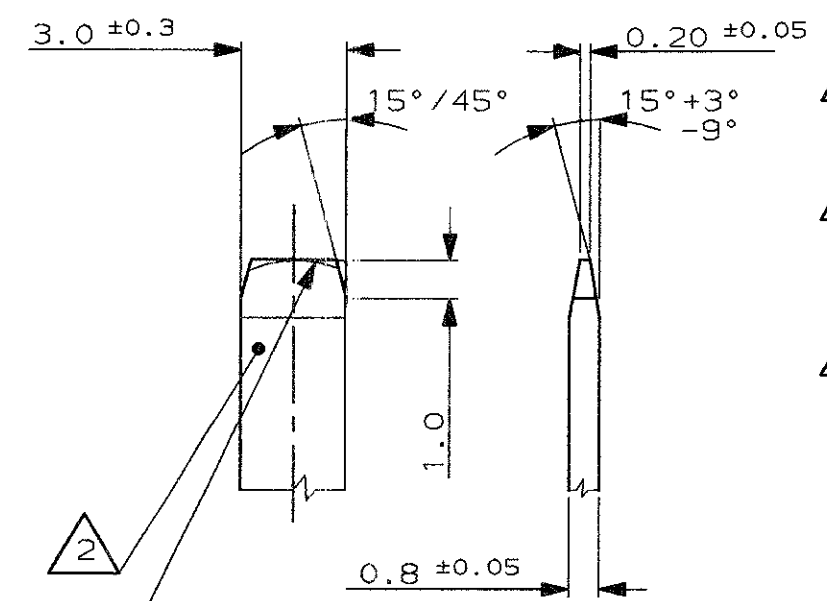
N1	REVISED PER ECO-20-003216	VN	07MAY2020
N	ECR-14-003472	MP	24MAR14
M2	REVISED PER ECO-11-005033	RK	5APR11
REV. (REV. N°)	REVISIONI (REVISION RECORD)	DIS. (DR)	DATA (DATE)

LOC. (LOC.)	SIZE (SIZE)	NUMERO (DWG NO)	REV. (REV.)	FOGLIO (SHEET)
I A3	C-282192	N1	1	1

DISTRIBUZIONE (PRINT DIST.)

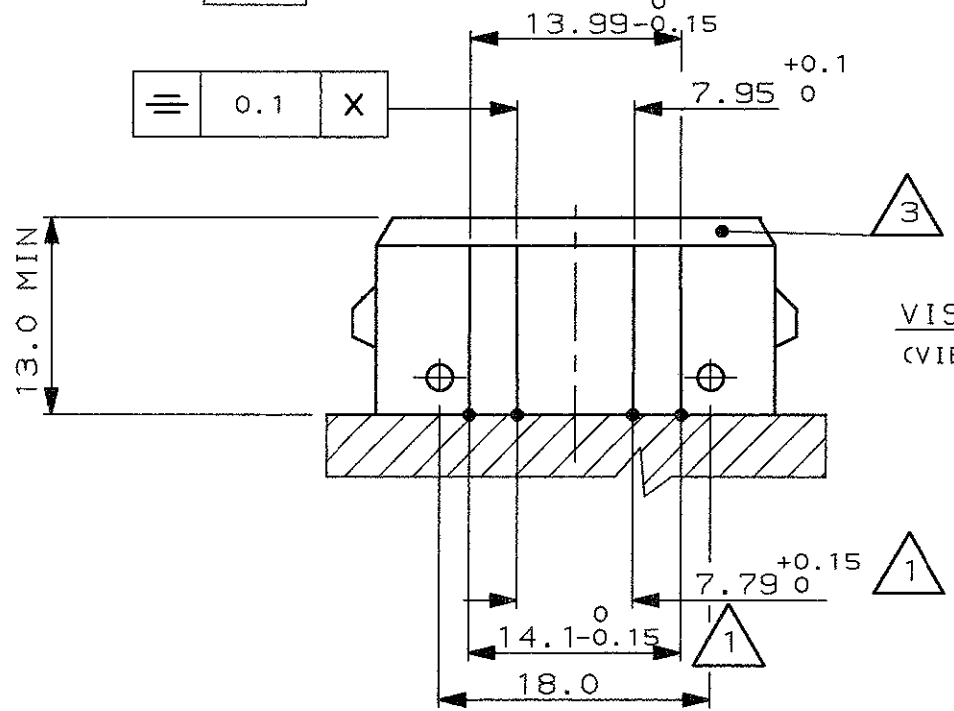


DETT. TAB - SCALA 5:1 (TAB DETAIL)



- 1 QUOTE APPLICABILI PER SFORMATURA PEZZO (DRAFT PERMITTED TO FACILITATE REMOVAL OF PART FROM THE MOULD)
- 2 MATERIALE LINGUETTE: LEGA DI RAME STAGNATA, ES. OTTONE STAGNATO. (TAB CONTACT MATERIAL: TIN PLATED COPPER ALLOY. E.G. BRASS TIN PLATED)
- 3 MATERIALE BLOCCHETTO: TERMOPLASTICO CARICATO FIBRA VETRO. (HOUSING MATERIAL: THERMOPLASTIC, GLASS FIBER FILLED)

FORMA ALTERNATIVA PERMESSA CON RAGGIO (ALLOWED ALTERNATIVE PROFILE WITH RADIUS)



FINITURA / COLORE (FINISH / COLOUR)	MATERIALE (MATERIAL)	NUMERO (PART NUMBER)
CUSTOMER DWG. FOR REFERENCE ONLY	DISEGNO PER CLIENTE SOLO PER RIFERIMENTO	
THIS DRAWING IS UNPUBLISHED		RELEASE FOR PUBLICATION
TOLLERANZE: SE NON DIVERSAMENTE SPECIFICATO (TOLERANCES, UNLESS OTHERWISE SPECIFIED)	DIAM. ISOLANTE (INS. DIA. RANGE)	RANGO FILO (WIRE RANGE)
± 0.3	---	---
ANGOLI (ANGLES)	SCALA (SCALE)	
± 2°	---	
DIS. (DR.)	DESCRIZIONE (DESCRIPTION)	
CONT. (CHK)	4 POS. SPLASH PROOF CONN. ASS'Y with SECONDARY LOCK	
APP. (APP.)	LOC. (LOC.)	SIZE (SIZE)
SEE SHEET 1 OF 2	I A3	NUMERO (DWG NO.)
REV. (REV.)	DIS. DATA (DR. DATE)	REV. (REV.)
REVISIONI (REVISION RECORD)		F06L10 (SHEET) 2 DI (OF) 2
		NUMERO (DWG NO.) C-282192

DISTRIBUZIONE (PRINT DIST.)



X-ON Electronics

Largest Supplier of Electrical and Electronic Components

Click to view similar products for [Automotive Connectors](#) category:

Click to view products by [TE Connectivity](#) manufacturer:

Other Similar products are found below :

[003-018-000](#) [60403001](#) [60993906-B](#) [M902-2131](#) [M902-2161](#) [M902-2344](#) [72.330.1035.1](#) [73.353.4028.0](#) [F119300-B](#) [F166900](#) [F258300-B](#)
[F358300-B](#) [F407400](#) [F444110](#) [F487000](#) [F509500B-B](#) [827153-1](#) [8N1515-32-24P](#) [9-1326729-8](#) [925474-1](#) [928905-1](#) [964562-4](#) [968782-1](#)
[GT17SA-8DS-HU](#) [98891-1012](#) [98947-1016](#) [12004147](#) [12004475-L](#) [12010290](#) [12010309-B](#) [12015454](#) [12020219-B](#) [12041318-B](#) [12052225-](#)
[L](#) [12052466](#) [12064869](#) [12004327-B](#) [12015308](#) [12015384](#) [12015909](#) [1-21030-1](#) [12041254](#) [12041318](#) [12047946-B](#) [12047957](#) [12047957-L](#)
[12059473](#) [12066261](#) [12110546](#) [12110546-B](#)