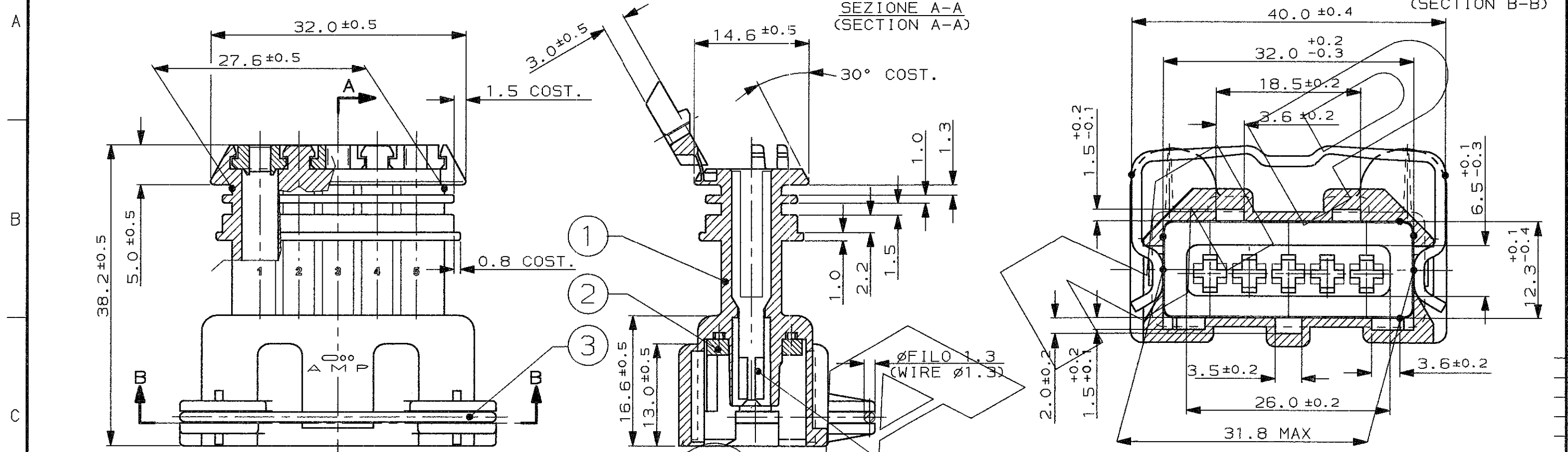


CONNETTORE TIPO A (CON MOLLA DI RITEGNO ESTERNA)
CONNECTOR TYPE A (WITH EXTERNAL SPRING)

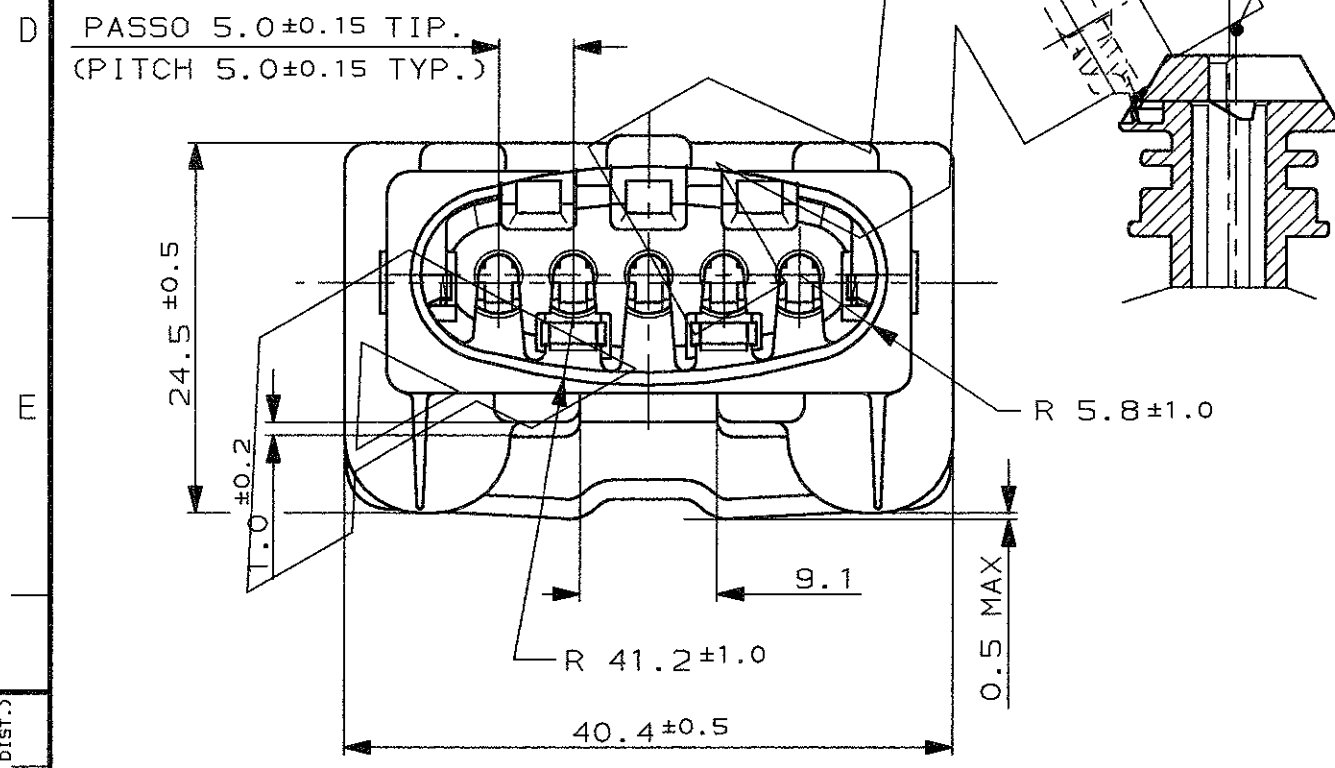
SCALA NON IMPEGNATIVA (DO NOT SCALE)
DIMENSIONI IN mm METRIC
PROIEZIONE EUROPEA (EUROPEAN PROJECTION)

SEZIONE B-B (SECTION B-B)



TIP. CAVITA' PER TERMINALI AMP JPT P/N 929939-...
OPPURE 929937-... E RELATIVI GOMMINI
AMP P/N 828904-1, 828905-1, 282536-1.
TAPPO CAVITA' P/N 828906-2
(TYP. CAV. FOR JPT CONT. P/N 929939-... A/O 929937-... AND REL.
SINGLE WIRE SEAL P/N 828904-1, 828905-1, 282536-1
CAVITY PLUG P/N 828906-2)

ASSE CAVITA' (CAVITY CENTER LINE)
ASSE CONNETTORE (CONNECTOR CENTER LINE)



ROSSO (RED)	-----						
GIALLO (YELLOW)	-----						
MARRONE (BROWN)	-----						
BLU (BLUE)	-----	3	//////		ACCIAIO INOX (STAINLESS STEEL)	MOLLA (SPRING)	
VERDE (GREEN)	-----						
NATURALE (NATUR)	-----	2	NATURALE (NATURAL)		GOMMA (RUBBER)	GUARNIZIONE (RUBBER GASKET)	
GRIGIO (GREY)	282193-2						
NERO (BLACK)	282193-1	F			PA 6.6 C.VETRO (PA 6.6 G.F.)	BLOCCHETTO (HOUSING)	
COLORE (COLOR)	NUMERO (PART. N°)	REV. (REV.)	N° (ITEM)	FINITURA / COLORE (FINISH / COLOUR)	MATERIALE (MATERIAL)	DESCRIZIONE (DESCRIPTION)	
M	AGGIOR. CON ET00-0125-00 REVISED FOR ET00-0125-00	M.P.					
L	AGGIOR. CON ET00-0221-96 REVISED FOR ET00-0221-96	A.F.	27-5 '96				
H	AGGIOR. CON ET00-0108-95 REVISED FOR ET00-0108-95	M.P.	11-5 '95				
G	AGG. FOGLIO 2 (ADDED SH.2)	R.M.	3-9 '92				
F	IN PRODUZIONE (IN PRODUCTION)	R.M.	13-10 '92				
E	AGGIORNATO (REVISED)	R.M.	26-5 '92	ANGOLI (ANGLES)	± 0.3		
D	AGGIORNATO (REVISED)	R.M.	17-3 '92				
C	AGGIORNATO (REVISED)	R.M.	2-3 '92				
B	AGGIORNATO (REVISED)	R.M.	5-9 '91				
A	WAS P/N C-90-51265-70	C.E.	2.91				
REV. (REV.)	REVISIONI (REVISION RECORD)	DIS. (DR)	DATA (DATE)	APP. (APP.)			
				CUSTOMER DWG. FOR REFERENCE ONLY		DISEGNO PER CLIENTE SOLO PER RIFERIMENTO	
				THIS DRAWING IS UNPUBLISHED		RELEASE FOR PUBLICATION 19	
				© COPYRIGHT 19 BY AMP INCORPORATED, HARRISBURG, PA. ALL INTERNATIONAL RIGHT RESERVED. AMP PRODUCTS MAY BE COVERED BY U.S. AND FOREIGN PATENT AND/OR PATENT PENDING			
				TOLLERANZE, SE NON DIVERSAMENTE SPECIFICATO (TOLERANCES, UNLESS OTHERWISE SPECIFIED)		DIAM. ISOLANTE (INS. DIA. RANGE) RANGO FILO (WIRE RANGE) SCALA (SCALE)	
						1.5-3.0 (REDUCED INS. CABLE) 0.5-2.5 mm ² ***	
						AMP AMP ITALIA S.p.A. Corso F.lli Cervi, 15 COLLEGNO (TORINO)	
				DIS. NOV. 9 '90 (DR.) Ennio CINI		DESCRIZIONE (DESCRIPTION) 5 W. SPLASH PROOF CONN. ASS'Y with SECONDARY LOCK	
				CONT. 13 OCT 92 (CHK) C. TARTARI		LOC. (LOC.) SIZE (SIZE) NUMERO (DWG NO) REV. (REV.) FOGLIO (SHEET)	
						I A3 C-282193 M 1 DI 2	

DISTRIBUZIONE (PRINT DIST.)

X-ON Electronics

Largest Supplier of Electrical and Electronic Components

Click to view similar products for [Automotive Connectors](#) category:

Click to view products by [TE Connectivity](#) manufacturer:

Other Similar products are found below :

[003-018-000](#) [60403001](#) [60993906-B](#) [M902-2131](#) [M902-2161](#) [72.330.1035.1](#) [73.353.4028.0](#) [F119300-B](#) [F166900](#) [F258300-B](#) [F358300-B](#)
[F407400](#) [F444110](#) [F487000](#) [F509500B-B](#) [827153-1](#) [8N1515-32-24P](#) [9-1326729-8](#) [925474-1](#) [928905-1](#) [964562-4](#) [968782-1](#) [GT17SA-8DS-](#)
[HU](#) [98891-1012](#) [98947-1016](#) [12004147](#) [12004475-L](#) [12010290](#) [12010309-B](#) [12015454](#) [12020219-B](#) [12020308](#) [12041318-B](#) [12052225-L](#)
[12052466](#) [12059125](#) [12064869](#) [12004327-B](#) [12010503-B](#) [12015308](#) [12015384](#) [12015909](#) [1-21030-1](#) [12041254](#) [12041318](#) [12047946-B](#)
[12047957](#) [12047957-L](#) [12059473](#) [12066261](#)