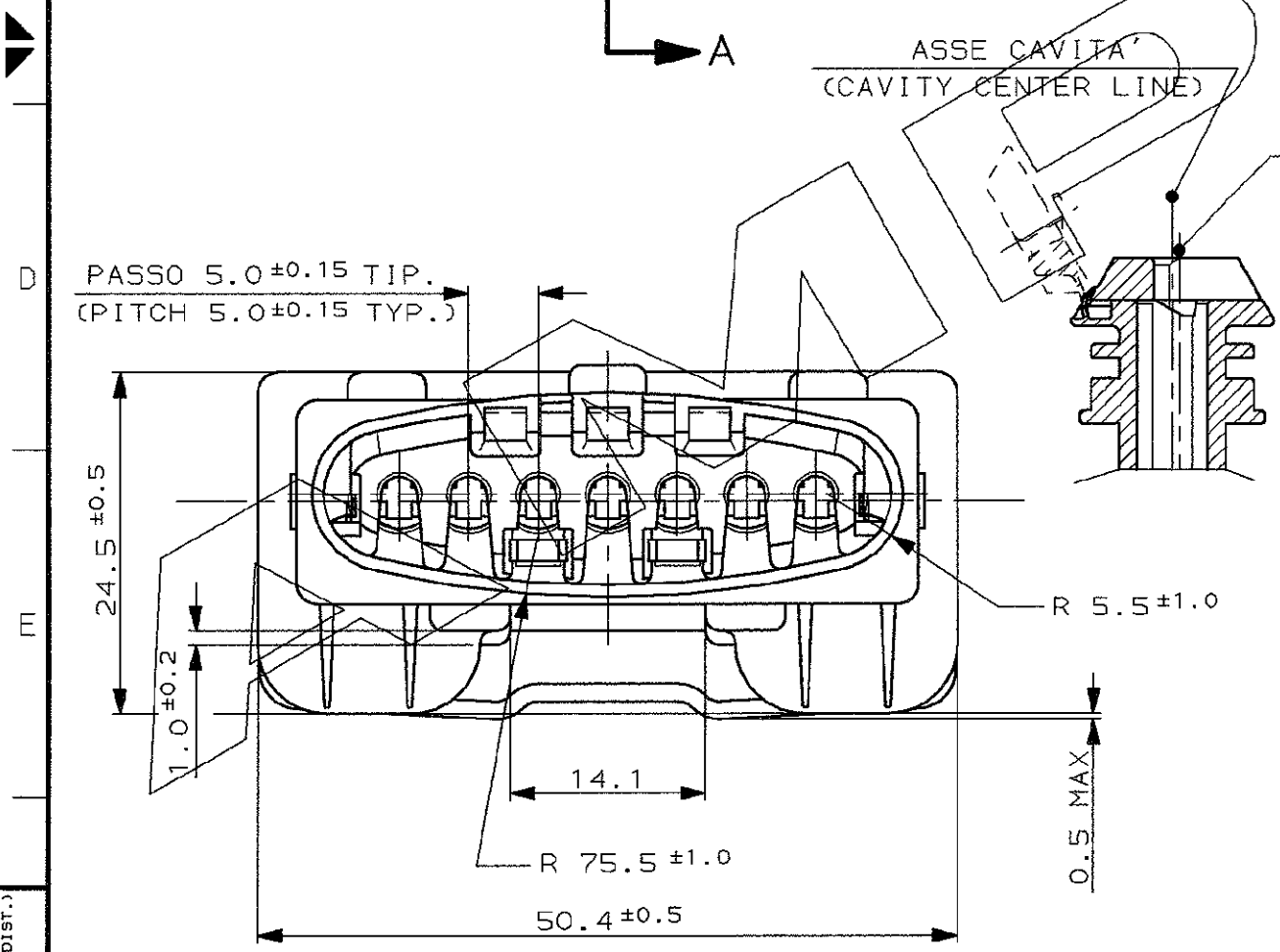
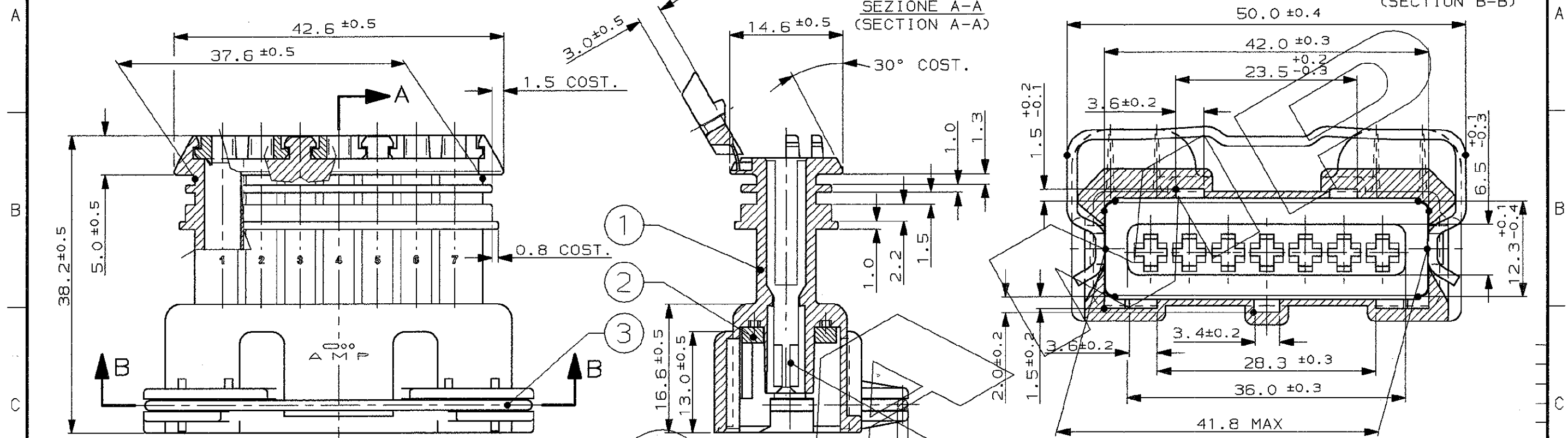


CONNETTORE TIPO A (CON MOLLA DI RITEGNO ESTERNA)  
CONNECTOR TYPE A (WITH EXTERNAL SPRING)

SCALA NON IMPEGNATIVA (DO NOT SCALE)  
DIMENSIONI IN mm METRIC  
PROIEZIONE EUROPEA (EUROPEAN PROJECTION)



ASSE CAVITA' (CAVITY CENTER LINE)  
ASSE CONNETTORE (CONNECTOR CENTER LINE)  
ØFILO 1.3 (WIRE Ø1.3)

TIP. CAVITA' PER TERMINALI AMP JPT P/N 929939-...  
AMP P/N 828904-1, 828905-1, 282536-1.  
TAPPO CAVITA' P/N 828906-2  
CTYP. CAV. FOR JPT CONT. P/N 929939-... A/O 929937-... AND REL.  
SINGLE WIRE SEAL P/N 828904-1, 828905-1, 282536-1  
CAVITY PLUG P/N 828906-2

ROSSO (RED)	-----				
GIALLO (YELLOW)	-----				
MARRONE (BROWN)	-----				
BLU (BLUE)	-----	3	//////	ACCIAIO INOX (STAINLESS STEEL)	MOLLA (SPRING)
VERDE (GREEN)	-----				
NATURALE (NATURAL)	-----	2	NATURALE (NATURAL)	GOMMA (RUBBER)	GUARNIZIONE (RUBBER GASKET)
GRIGIO (GREY)	282194-2				
NERO (BLACK)	282194-1	1	//////	PA 6.6 C.VETRO (PA 6.6 G.F.)	BLOCCHETTO (HOUSING)
COLORE (COLOR)	NUMERO (PART. N°)	N° (ITEM)	FINITURA / COLORE (FINISH / COLOUR)	MATERIALE (MATERIAL)	DESCRIZIONE (DESCRIPTION)

CUSTOMER DWG. FOR REFERENCE ONLY    DISEGNO PER CLIENTE SOLO PER RIFERIMENTO

THIS DRAWING IS UNPUBLISHED    RELEASE FOR PUBLICATION    19

© COPYRIGHT 1996 BY AMP INCORPORATED, HARRISBURG, PA. ALL INTERNATIONAL RIGHTS RESERVED. AMP PRODUCTS MAY BE COVERED BY U.S. AND FOREIGN PATENT AND/OR PATENT PENDING

TOLLERANZE: SE NON DIVERSAMENTE SPECIFICATO (TOLERANCES, UNLESS OTHERWISE SPECIFIED)

DIAM. ISOLANTE (INS. DIA. RANGE) 1.5-3.0 (REDUCED INS. CABLE)

RANGO FILO (WIRE RANGE) 0.5-2.5 mm<sup>2</sup> \*\*\*

SCALA (SCALE) \*\*\*

AMP ITALIA S.p.A.  
Corso F.lli Cervi, 15  
COLLENO (TORINO)

DESCRIZIONE (DESCRIPTION)  
7 W. SPLASH PROOF CONN. ASS'Y with SECONDARY LOCK

DIS. NOV. 9. '90 (DR.)  
Ennio CINTI  
C. TARTARI

CONT. 13 OCT 92 (CHK)

LOC. SIZE NUMERO (DWG NO)    REV.    FOGLIO (SHEET)    DI (CF)

I A3 C-282194 L 1 12

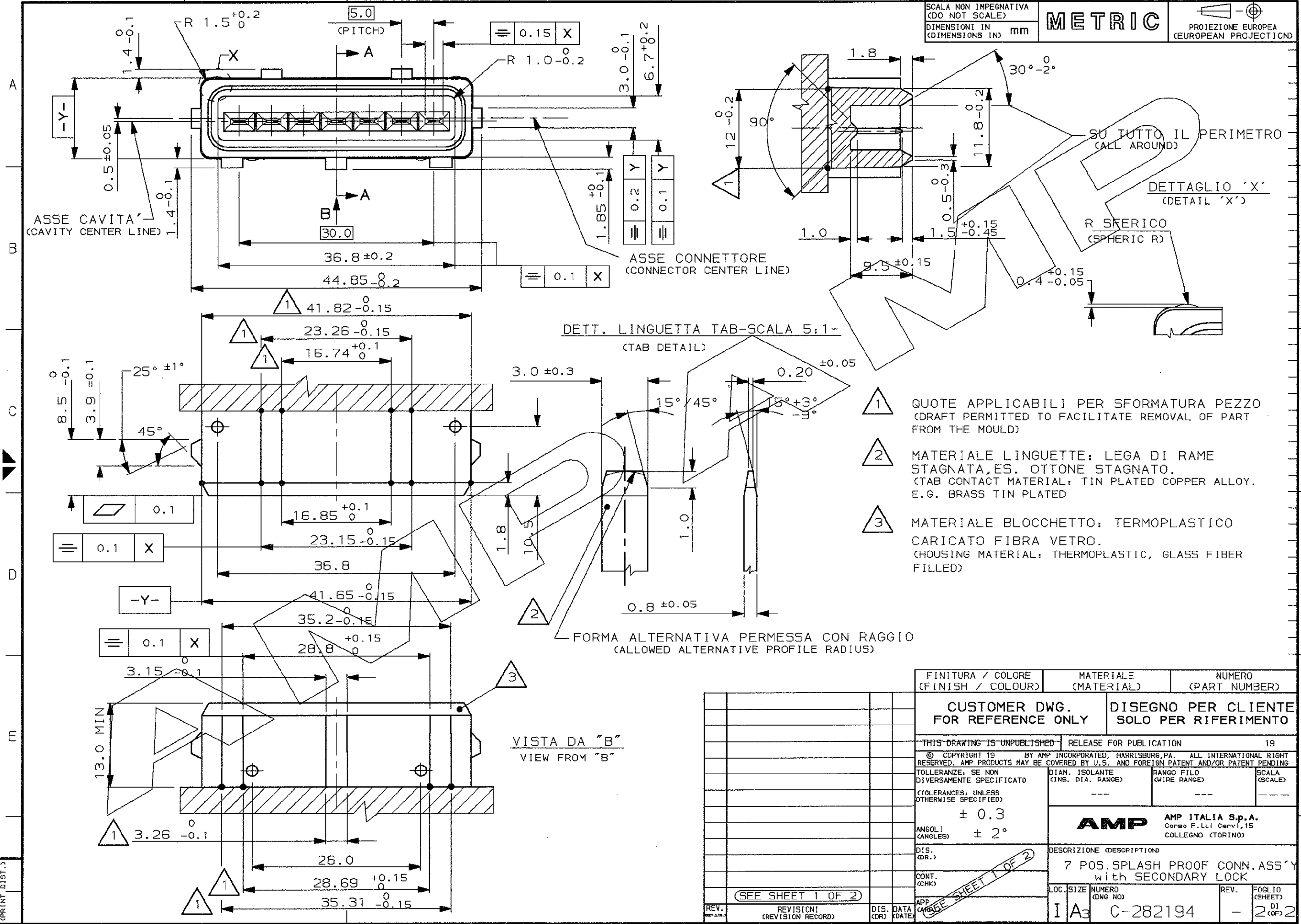
L	AGGIOR. CON ET00-0221-96 REVISED FOR ET00-0221-96	A.F.	27-5 96
H	AGGIOR. CON ET00-0108-95 REVISED FOR ET00-0108-95	M.P.	11-5 95
G	AGG. FOGLIO 2 (ADDED SH.2)	R.M.	3-8 92
F	IN PRODUZIONE (IN PRODUCTION)	R.M.	13-10 92
E	AGGIORNATO (REVISED)	R.M.	26-5 92
D	AGGIORNATO (REVISED)	R.M.	17-3 92
C	AGGIORNATO (REVISED)	R.M.	2-3 92
B	AGGIORNATO (REVISED)	R.M.	4-9 91
A	WAS P/N C-90-51265-70	C.E.	2.91
REV.	REVISIONI (REVISION RECORD)	DIS. (DR)	DATA (DATE)

DISTRIBUZIONE (PRINT DIST.)

SCALA NON IMPEGNATIVA  
(DO NOT SCALE)  
DIMENSIONI IN mm  
(DIMENSIONS IN)

**METRIC**

PROIEZIONE EUROPEA  
(EUROPEAN PROJECTION)



- 1 QUOTE APPLICABILI PER SFORMATURA PEZZO  
(DRAFT PERMITTED TO FACILITATE REMOVAL OF PART FROM THE MOULD)
- 2 MATERIALE LINGUETTE: LEGA DI RAME STAGNATA, ES. OTTONE STAGNATO.  
(TAB CONTACT MATERIAL: TIN PLATED COPPER ALLOY, E.G. BRASS TIN PLATED)
- 3 MATERIALE BLOCCHETTO: TERMOPLASTICO CARICATO FIBRA VETRO.  
(HOUSING MATERIAL: THERMOPLASTIC, GLASS FIBER FILLED)

DETT. LINGUETTA TAB-SCALA 5:1-  
(TAB DETAIL)

FORMA ALTERNATIVA PERMESSA CON RAGGIO  
(ALLOWED ALTERNATIVE PROFILE RADIUS)

VISTA DA "B"  
VIEW FROM "B"

FINITURA / COLORE (FINISH / COLOUR)	MATERIALE (MATERIAL)	NUMERO (PART NUMBER)
CUSTOMER DWG. FOR REFERENCE ONLY	DISEGNO PER CLIENTE SOLO PER RIFERIMENTO	19
THIS DRAWING IS UNPUBLISHED		RELEASE FOR PUBLICATION
© COPYRIGHT 19 BY AMP INCORPORATED, HARRISBURG, PA. ALL INTERNATIONAL RIGHT RESERVED. AMP PRODUCTS MAY BE COVERED BY U.S. AND FOREIGN PATENT AND/OR PATENT PENDING		
TOLLERANZE, SE NON DIVERSAMENTE SPECIFICATO (TOLERANCES, UNLESS OTHERWISE SPECIFIED)	DIAM. ISOLANTE (INS. DIA. RANGE)	RANGO FILO (WIRE RANGE)
± 0.3	---	---
ANGOLI (ANGLES)	<b>AMP</b> AMP ITALIA S.p.A. Corso F.lli Cervi, 15 COLLEGNO (TORINO)	
DIS. (DR.)	DESCRIZIONE (DESCRIPTION)	
CONT. (CHK)	7 POS. SPLASH PROOF CONN. ASS'Y with SECONDARY LOCK	
APP. (DATE)	LOC. SIZE NUMERO (DWG NO)	REV. FOGLIO (SHEET)
(SEE SHEET 1 OF 2)	I A3 C-282194	- 2 (OF) 2

DISTRIBUZIONE  
(PRINT DIST.)

## X-ON Electronics

Largest Supplier of Electrical and Electronic Components

*Click to view similar products for [Automotive Connectors](#) category:*

*Click to view products by [TE Connectivity](#) manufacturer:*

Other Similar products are found below :

[003-018-000](#) [60403001](#) [60993906-B](#) [M902-2131](#) [M902-2161](#) [72.330.1035.1](#) [73.353.4028.0](#) [F119300-B](#) [F166900](#) [F258300-B](#) [F358300-B](#)  
[F407400](#) [F444110](#) [F487000](#) [F509500B-B](#) [827153-1](#) [8N1515-32-24P](#) [9-1326729-8](#) [925474-1](#) [928905-1](#) [964562-4](#) [968782-1](#) [GT17SA-8DS-](#)  
[HU](#) [98891-1012](#) [98947-1016](#) [12004147](#) [12004475-L](#) [12010290](#) [12010309-B](#) [12015454](#) [12020219-B](#) [12020308](#) [12041318-B](#) [12052225-L](#)  
[12052466](#) [12059125](#) [12064869](#) [12004327-B](#) [12010503-B](#) [12015308](#) [12015384](#) [12015909](#) [1-21030-1](#) [12041254](#) [12041318](#) [12047946-B](#)  
[12047957](#) [12047957-L](#) [12059473](#) [12066261](#)