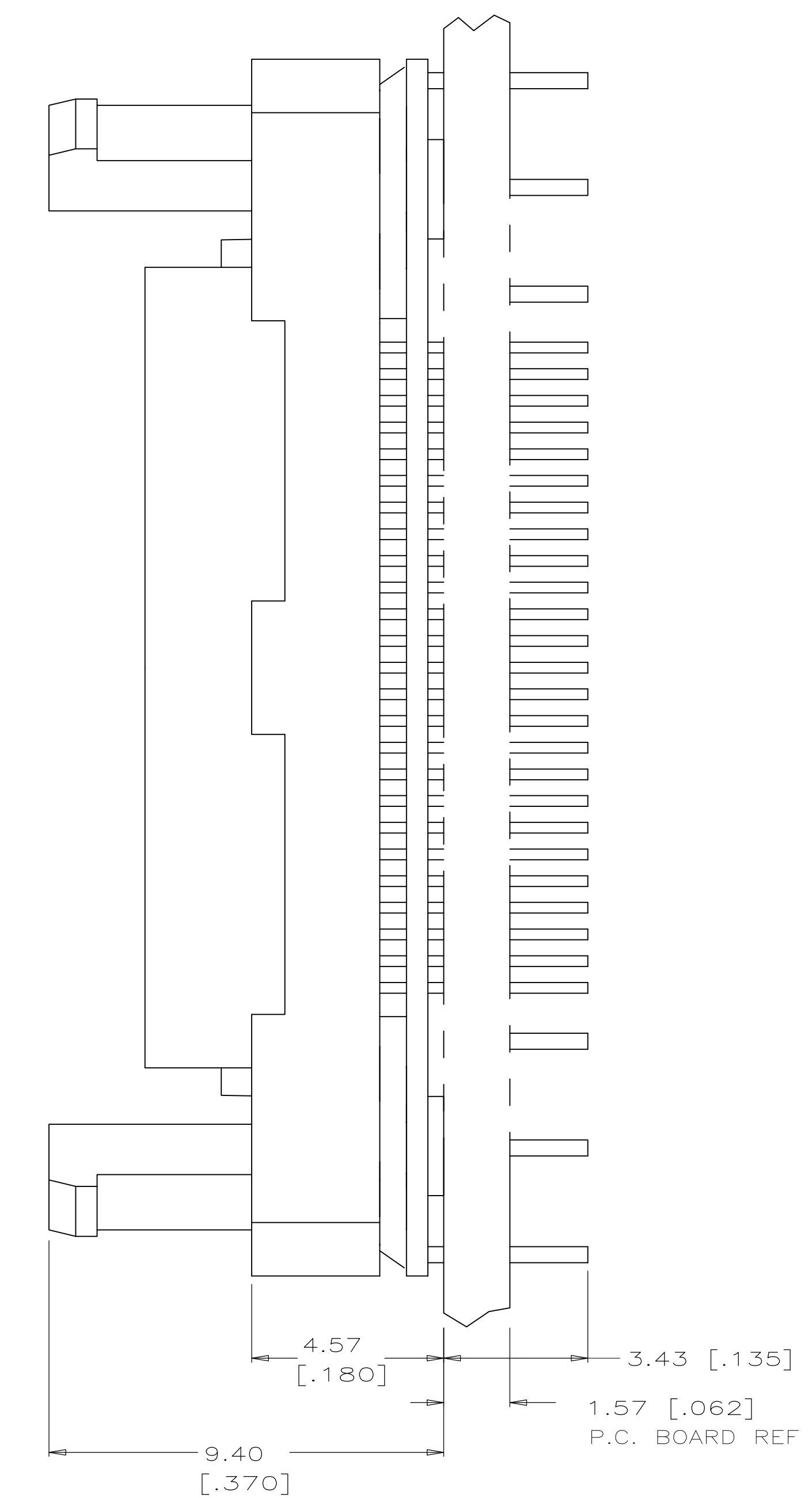
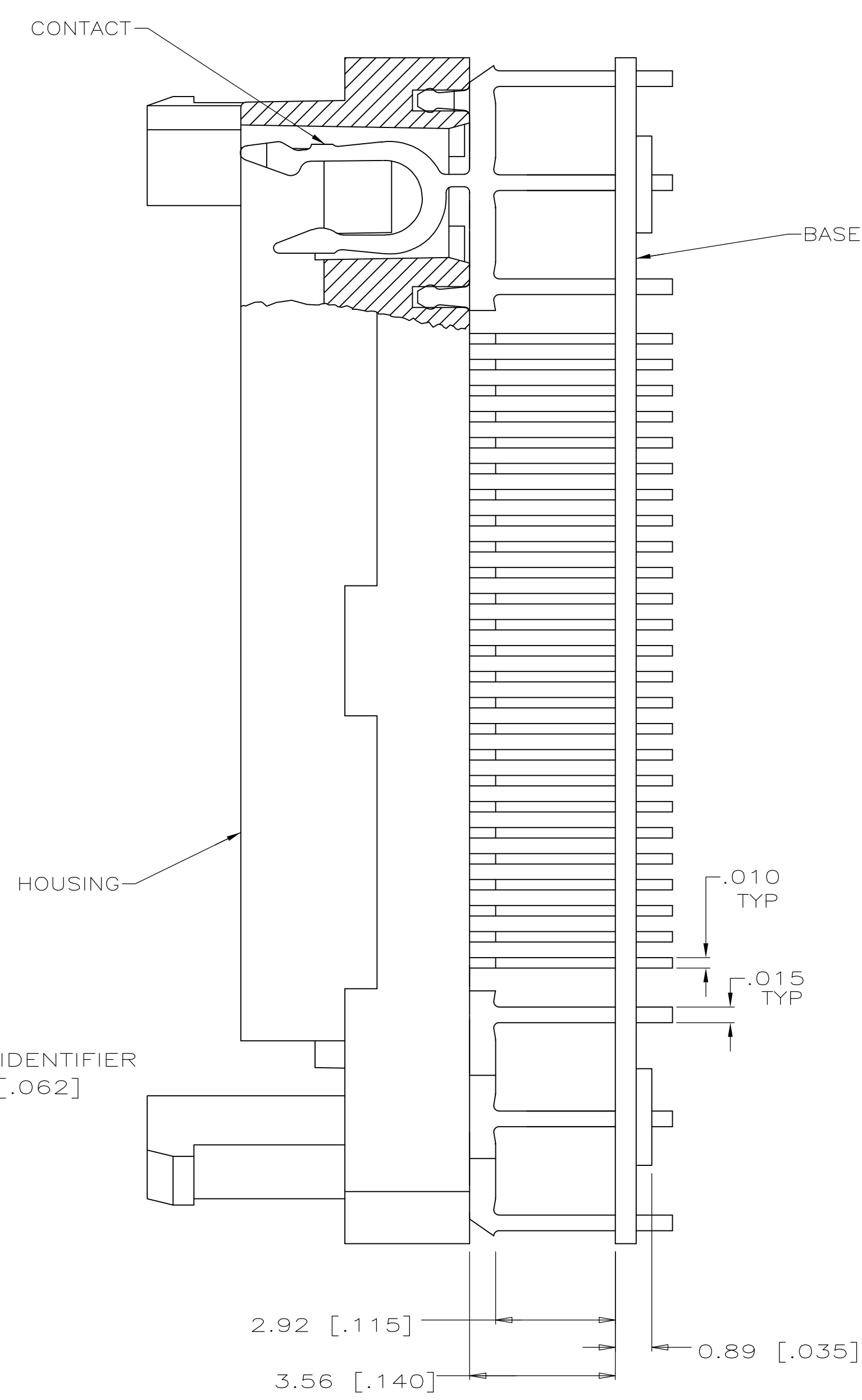


SUB-ASSEMBLY SHOWN AS SHIPPED SUB-ASSEMBLY SHOWN IN FINAL POSITION



- 1 HOUSING MATERIAL SHALL BE LIQUID CRYSTAL POLYMER. (BLACK)
- 2 CONTACT MATERIAL SHALL BE PHOS. BRONZE. PLATING SHALL BE 0.00508 [.000200] MIN. TIN LEAD OVER 0.00127 [.000050] MIN. NICKEL ALL OVER.
- 3 BASE MATERIAL SHALL BE LIQUID CRYSTAL POLYMER. (BLACK)
- 4 SOCKET TO BE MOUNTED WITH AMP LOGO AND CHAMFER ON SOCKET LOCATED IN THIS CORNER OF P.C. BOARD.
- 5 THIS AREA TO BE FREE OF COMPONENTS FOR ACCESS OF THE MICRO-PITCH HAND TOOL. MINIMUM OF TWO OPPOSITE SIDES.
- 6 CONTACT MATERIAL SHALL BE PHOS. BRONZE. PLATING SHALL BE 0.00508 [.000200] MIN. TIN (LEAD FREE) OVER 0.00127 [.000050] MIN. NICKEL ALL OVER.
- 7 ROHS 2002/95/EC COMPLIANT.

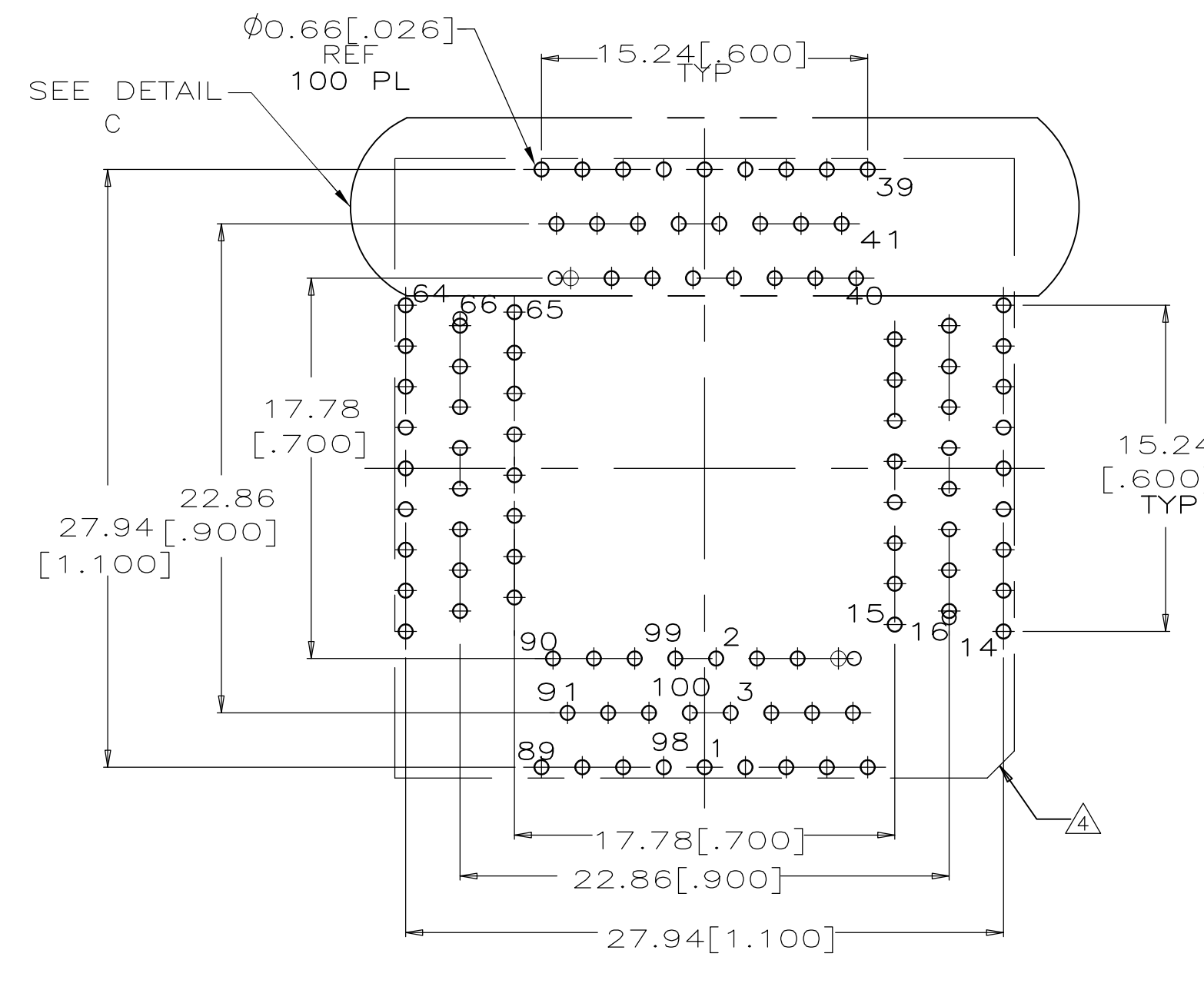
PIN #1 IDENTIFIER RAISED ARROW

7 6	20.32 [.800]	34.04 [1.340]	2-821949-5	132
7 6	15.24 [.600]	28.96 [1.140]	2-821949-4	100
2	20.32 [.800]	34.04 [1.340]	821949-5	132
2	15.24 [.600]	28.96 [1.140]	821949-4	100
FINISH	B	A	PART NO.	NO OF POSN

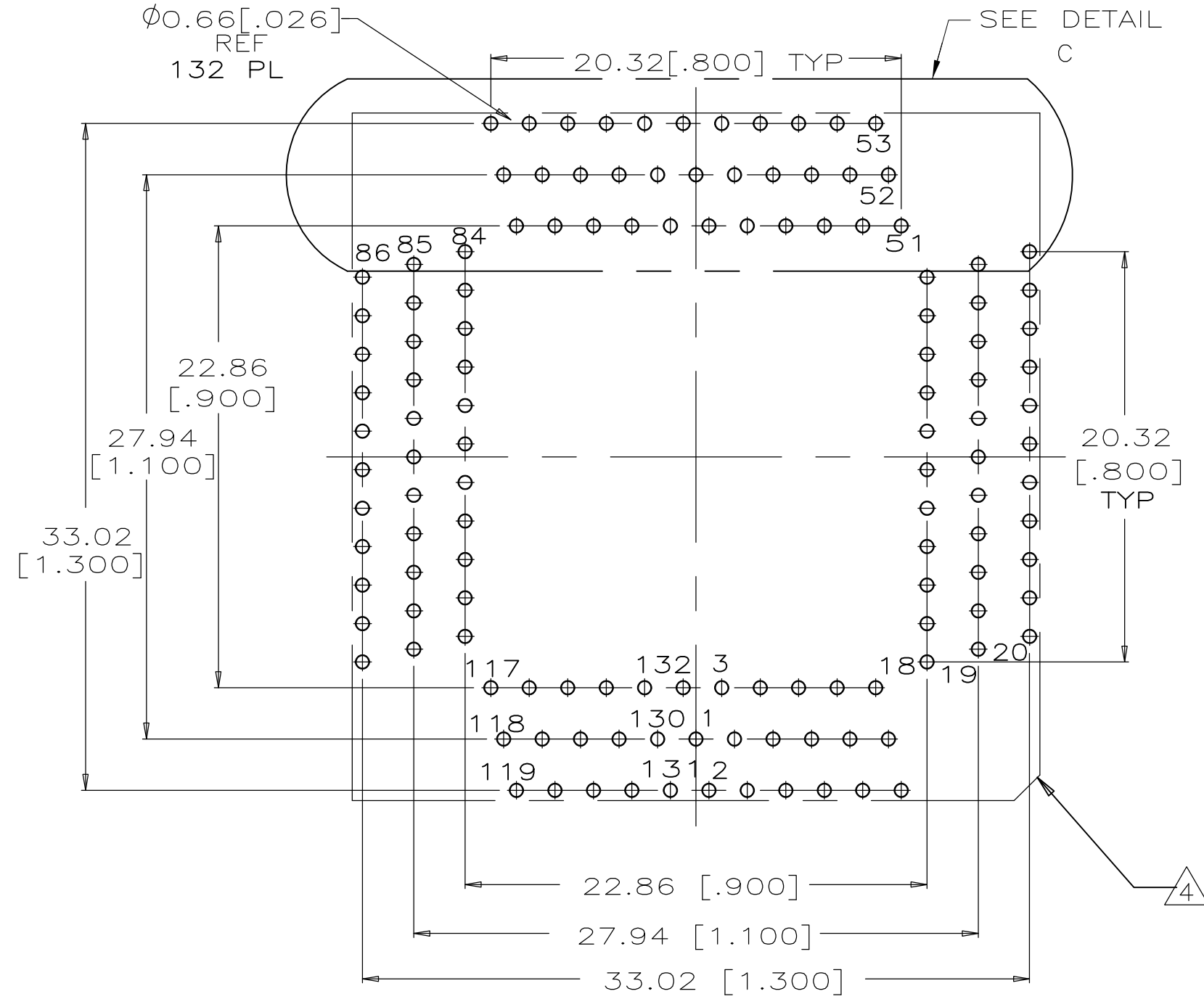
THIS DRAWING IS A CONTROLLED DOCUMENT.

DIMENSIONS: INCHES	TOLERANCES UNLESS OTHERWISE SPECIFIED:	DWN: K.SALMON 10-4-90	CHK: R.MILLER 10-5-90	APVD: F.BOYD 10-5-90	NAME: MICRO-PITCH SOCKET .025 C/L PQFP GULLWING, HOUSING SUB-ASSEMBLY
0 PLC ± -	1 PLC ± -	2 PLC ± -	3 PLC ± 0.1 [.005]	4 PLC ± -	ANGLES ± -
MATERIAL	FINISH	WEIGHT	SIZE: A1	CAGE CODE: 00779	DRAWING NO: 821949
1 2 3 6	2 6	CUSTOMER DRAWING	SCALE: 10:1	SHEET: 1 of 3	REV: N1

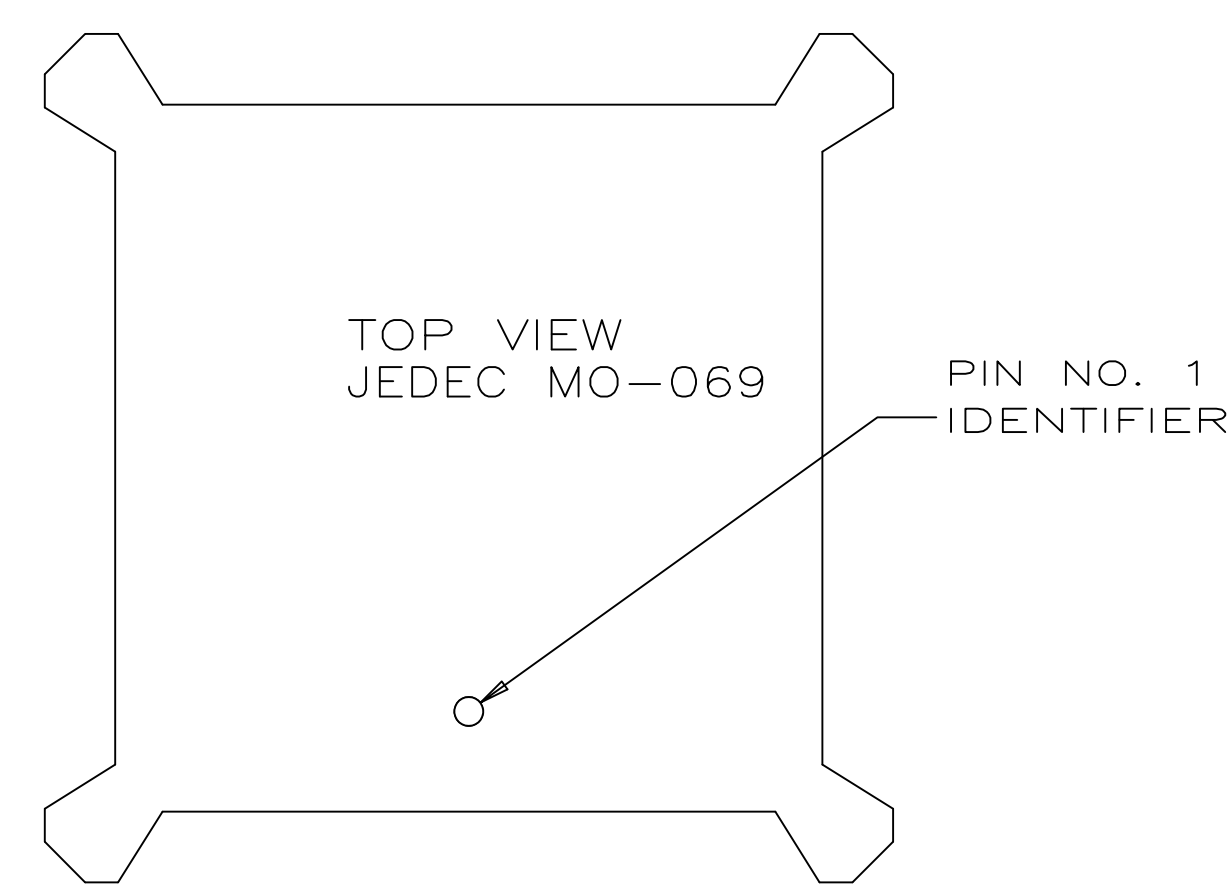
STE TE Connectivity



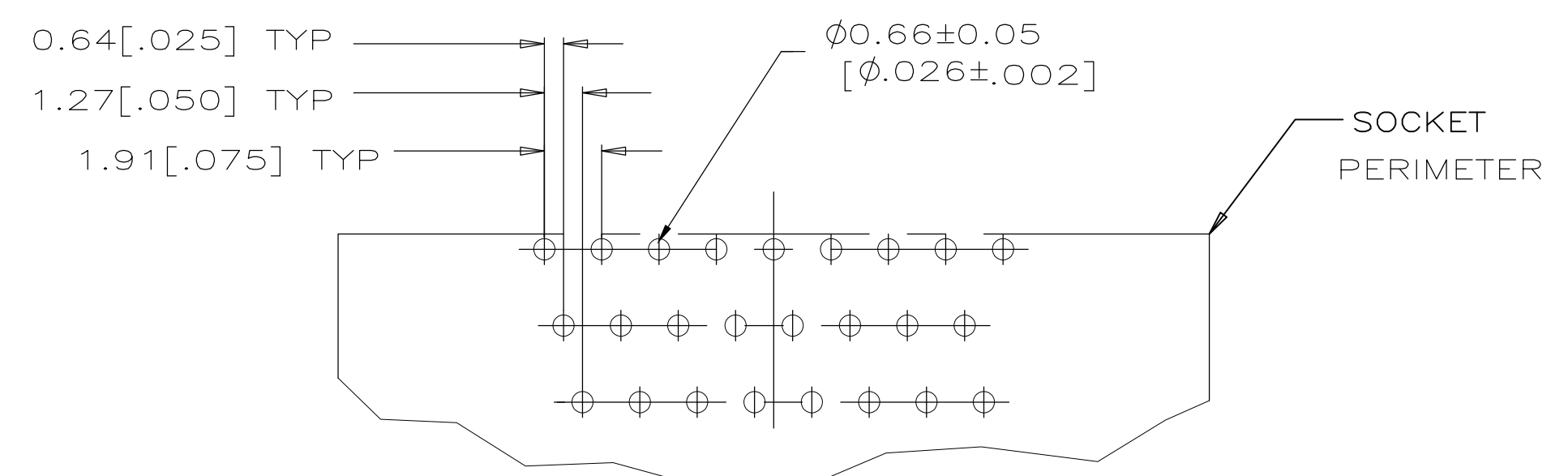
RECOMMENDED P.C. BOARD HOLE PATTERN
SOCKET SIDE
100 POSN. SCALE: 4:1



RECOMMENDED P.C. BOARD HOLE PATTERN
SOCKET SIDE
132 POSN. SCALE: 4:1

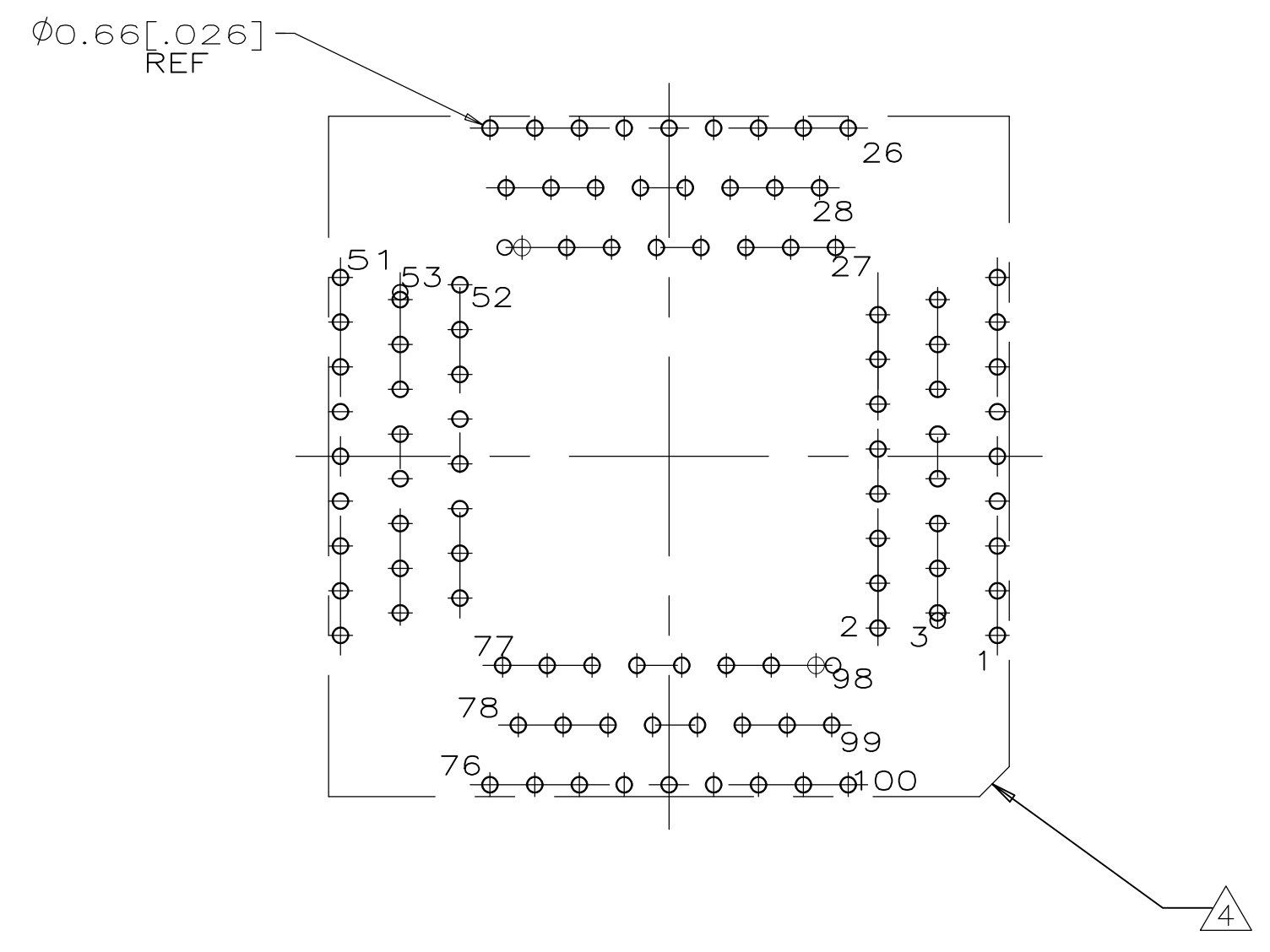


CHIP POLARIZATION REFERENCE VIEW
(PIN NUMBERING ON THIS SHEET ARE FOR CENTER LOCATION OF PIN 1 IDENTIFIER)

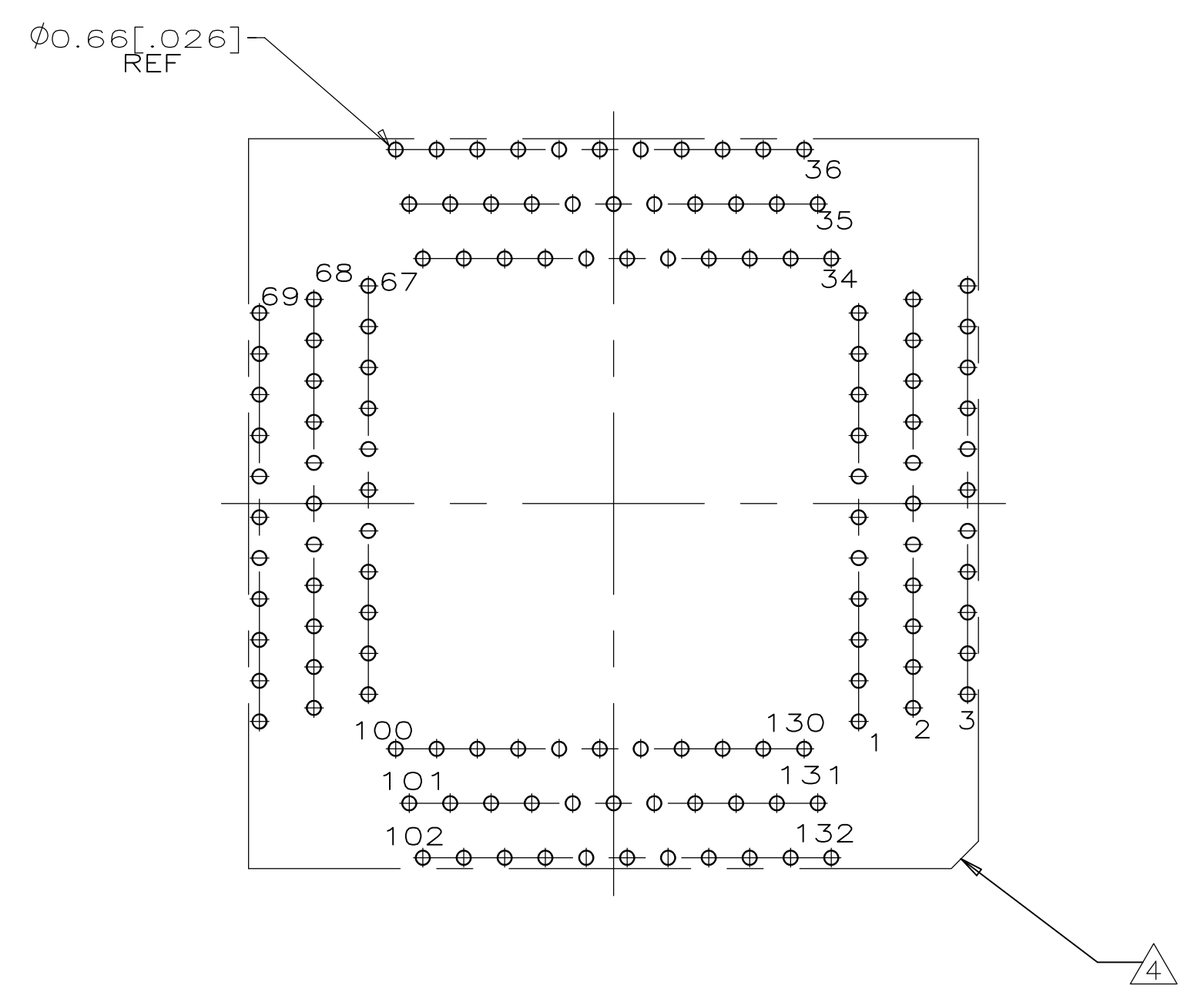


DETAIL C
(TYP FOR ALL POSITIONS)
SCALE 5:1

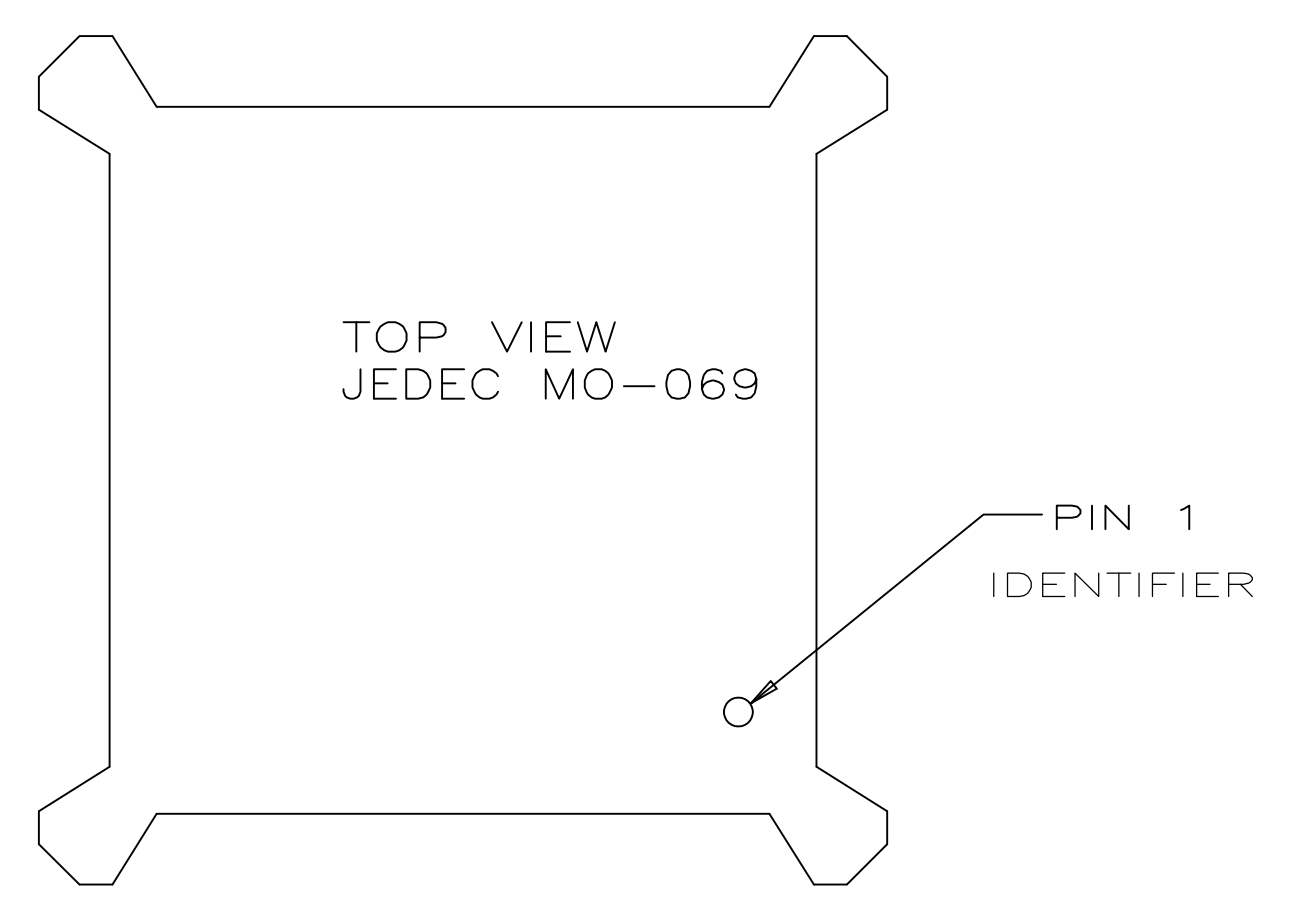
THIS DRAWING IS A CONTROLLED DOCUMENT.		DWN K.SALMON 10-4-90	TE Connectivity
DIMENSIONS: INCHES		CHK R.MILLER 10-5-90	
TOLERANCES UNLESS OTHERWISE SPECIFIED:		APD E.BOYD 10-5-90	NAME
0 PLC ± -	PRODUCT SPEC	MICRO-PITCH SOCKET	
1 PLC ± -	APPLICATION SPEC	.025 C/L,PQFP GULLWING,	
2 PLC ± -	RESTRICTED TO	HOUSING SUB-ASSEMBLY	
3 PLC ± 0.13[.005]	SIZE	CAGE CODE	DRAWING NO
4 PLC ± -	A1	00779	821949
ANGLES ± -	WEIGHT	CUSTOMER DRAWING	
FINISH		SCALE	SHEET
1 2 3 6		10:1	2 OF 3



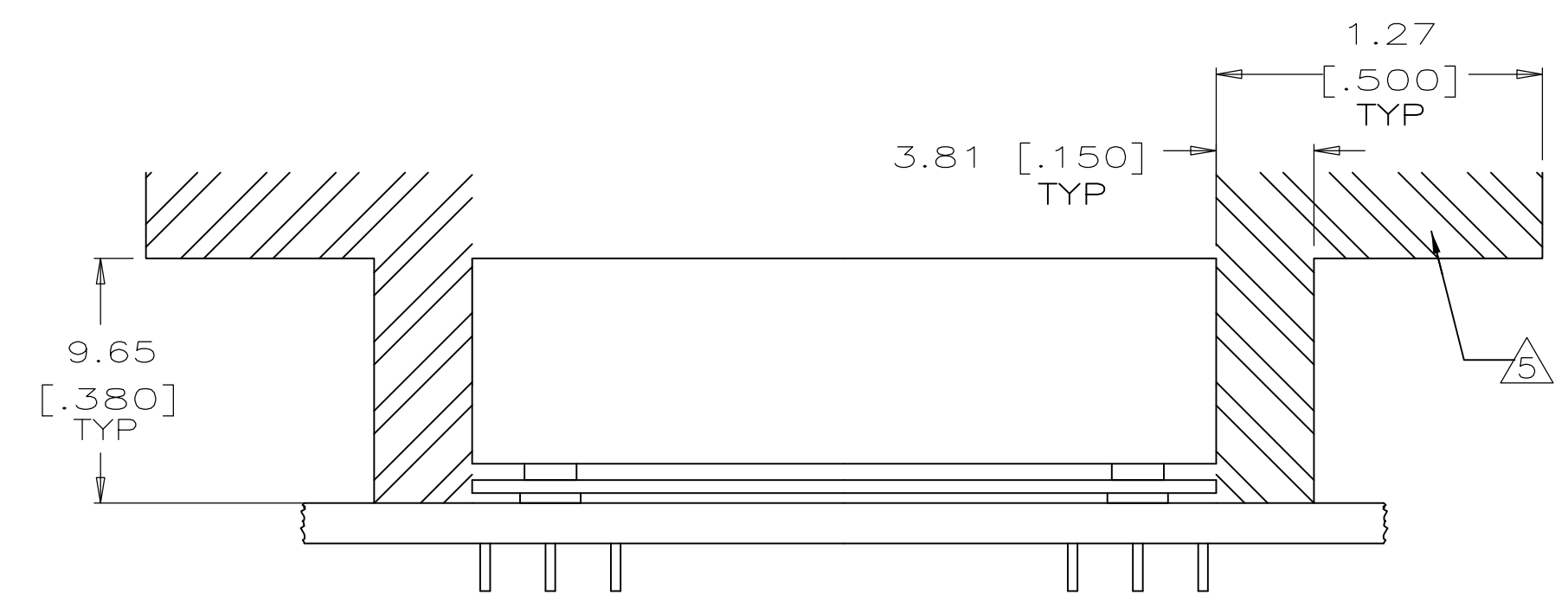
RECOMMENDED P.C. BOARD HOLE PATTERN
 SOCKET SIDE
 100 POSN.
 SEE SHEET 2 100 POSN FOR DIMENSIONS



RECOMMENDED P.C. BOARD HOLE PATTERN
 SOCKET SIDE
 132 POSN.
 SEE SHEET 2 132 POSN FOR DIMENSIONS



CHIP POLARIZATION REFERENCE VIEW
 (PIN NUMBERING ON THIS SHEET IS FOR OFF CENTER LOCATION OF PIN 1 IDENTIFIER)



MICRO-PITCH SOCKET

THIS DRAWING IS A CONTROLLED DOCUMENT.		DWN	10-4-90	TE Connectivity
		CHK	10-5-90	
DIMENSIONS:		TOLERANCES UNLESS OTHERWISE SPECIFIED:		NAME
INCHES				MICRO-PITCH SOCKET
		0 PLC	± -	.025 C/L, PQFP GULLWING,
		1 PLC	± -	HOUSING SUB-ASSEMBLY
		2 PLC	± -	SIZE
		3 PLC	± 0.13[.005]	CAGE CODE
		4 PLC	± -	DRAWING NO
		ANGLES	± -	RESTRICTED TO
MATERIAL		FINISH		WEIGHT
				A1
1 2 3 6		2 6		00779 C-821949
CUSTOMER DRAWING				SCALE 10:1 SHEET 3 OF 3 REV N1

X-ON Electronics

Largest Supplier of Electrical and Electronic Components

Click to view similar products for IC & Component Sockets category:

Click to view products by TE Connectivity manufacturer:

Other Similar products are found below :

[0066-3-17-15-30-14-02-0](#) [670](#) [672](#) [673](#) [694-13-640-00-672-000](#) [712-93-120-41-001000](#) [714-93-104-31-018000](#) [8059-4G1-LF](#) [807-22-001-10-001101](#) [807-22-001-10-006101](#) [807-22-001-30-011101](#) [807-22-001-30-012101](#) [807-22-001-30-013101](#) [807-22-001-30-014101](#) [8-1437531-4](#) [8150-6P10](#) [833-93-034-10-001000](#) [851-41-006-10-001000](#) [851-43-008-20-001000](#) [851-43-014-20-001000](#) [851-93-006-20-001000](#) [851-93-010-20-001000](#) [853-43-020-10-001000](#) [86.010.0053.0](#) [116-43-308-41-007000](#) [PX-68LCC](#) [121-13-318-41-001000](#) [121-13-320-41-001000](#) [121-13-308-41-001000](#) [123-43-314-41-801000](#) [123-43-420-41-001000](#) [123-87-320-41-001101](#) [122-13-316-41-001000](#) [123-13-624-41-001000](#) [123-43-306-41-001000](#) [12-3513-11](#) [123-91-320-41-001000](#) [126-43-310-41-002000](#) [AKSUN 37V-T](#) [1437503-9](#) [1437504-1](#) [146-44-308-41-013000](#) [APO-320-G-T](#) [146-43-308-41-012000](#) [160-10-308-00-001000](#) [160-40-320-00-001000](#) [214-99-306-01-670800](#) [232-1270-02-0602](#) [2-382761-4](#) [2-5331677-4](#)