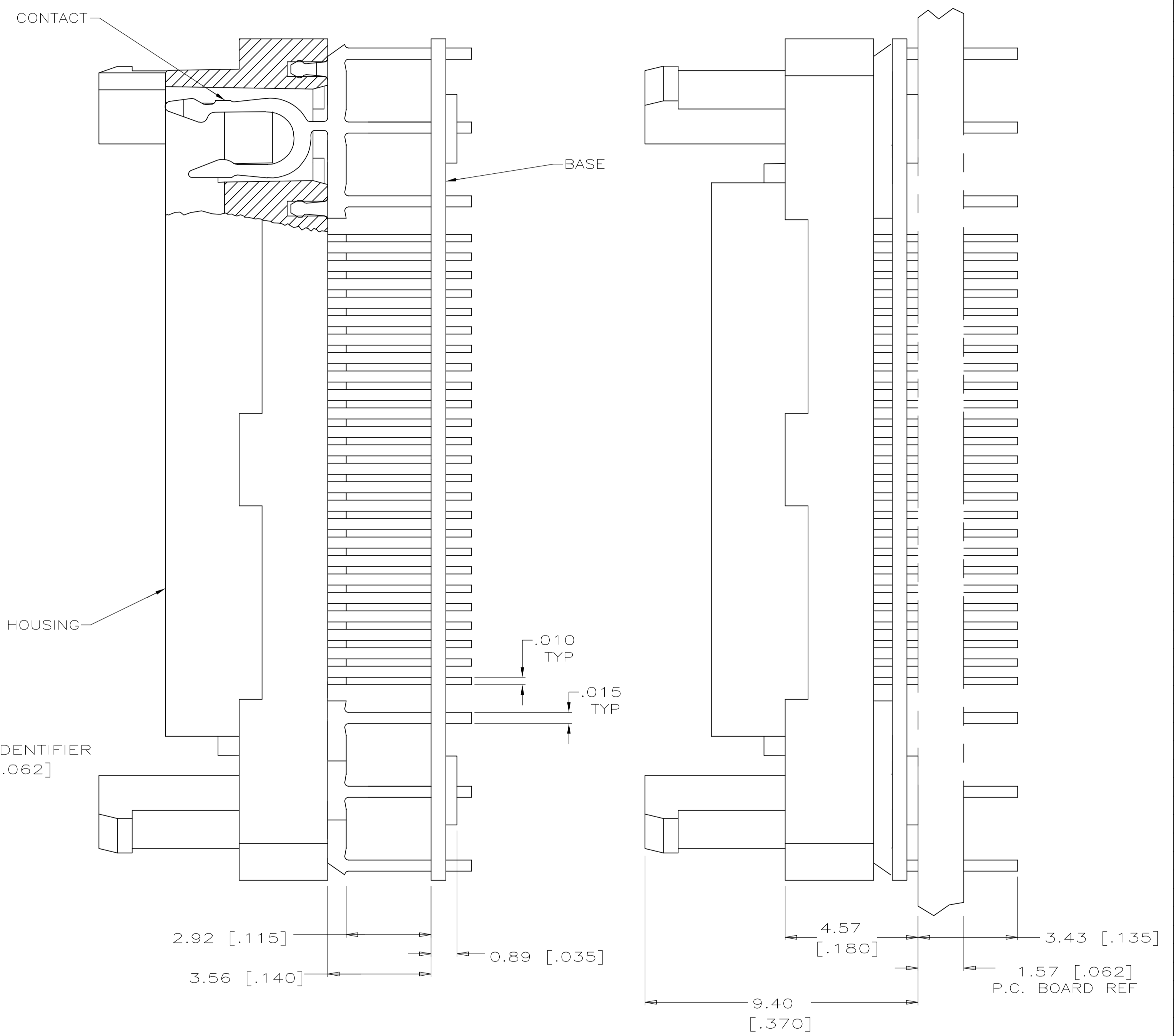


SUB-ASSEMBLY SHOWN AS SHIPPED SUB-ASSEMBLY SHOWN IN FINAL POSITION



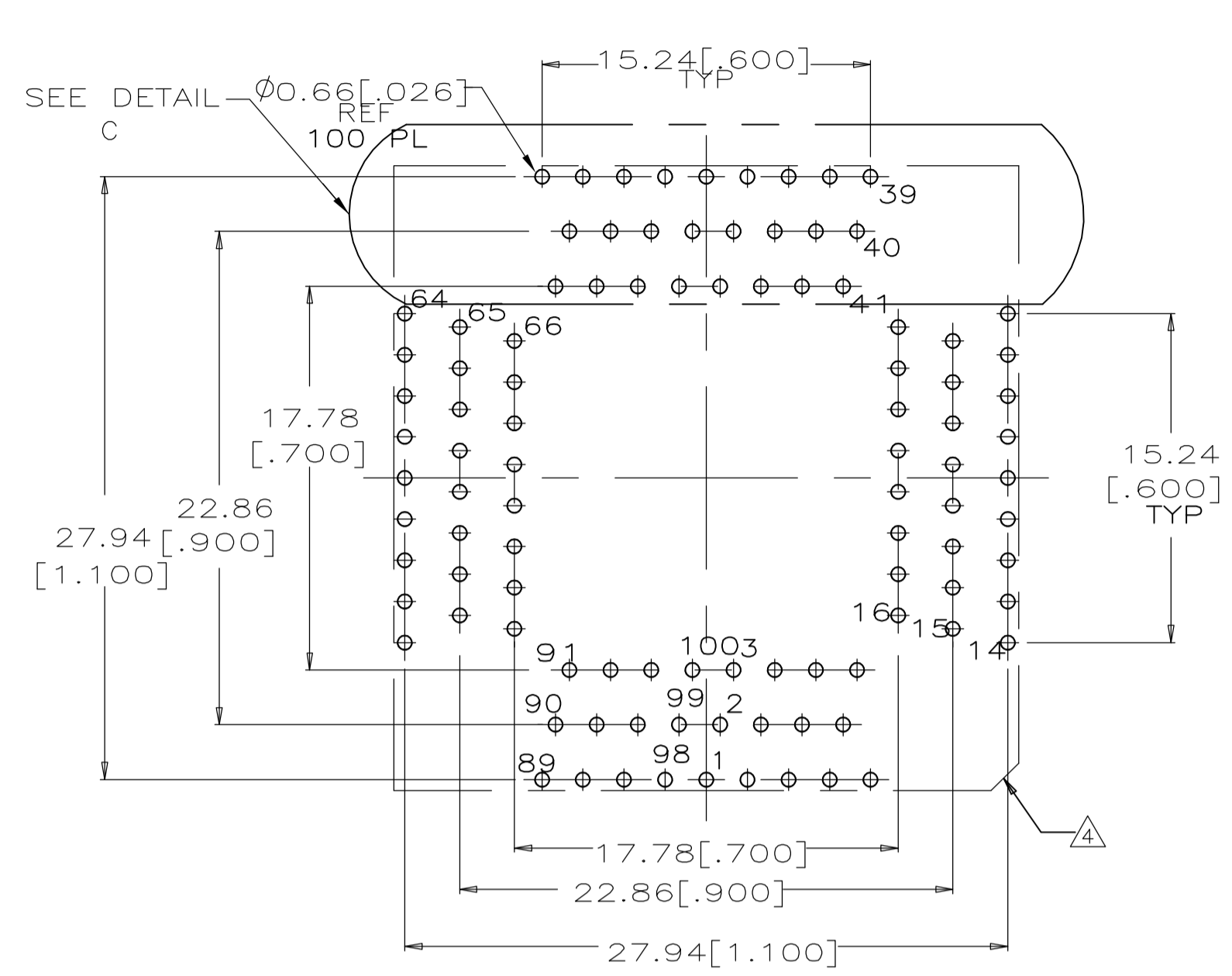
- △ HOUSING MATERIAL SHALL BE LIQUID CRYSTAL POLYMER. (BLACK)
- △ CONTACT MATERIAL SHALL BE PHOS. BRONZE. PLATING SHALL BE 0.00508 [.000200] MIN. TIN LEAD OVER 0.00127 [.000050] MIN. NICKEL ALL OVER.
- △ BASE MATERIAL SHALL BE LIQUID CRYSTAL POLYMER. (BLACK)
- △ SOCKET TO BE MOUNTED WITH AMP LOGO AND CHAMFER ON SOCKET LOCATED IN THIS CORNER OF P.C. BOARD.
- △ THIS AREA TO BE FREE OF COMPONENTS FOR ACCESS OF THE MICRO-PITCH HAND TOOL. MINIMUM OF TWO OPPOSITE SIDES.
- △ CONTACT MATERIAL SHALL BE PHOS. BRONZE. PLATING SHALL BE 0.00508 [.000200] MIN. TIN (LEAD FREE) OVER 0.00127 [.000050] MIN. NICKEL ALL OVER.
- △ ROHS 2002/95/EC COMPLIANT

OBSOLETE	△ ₆	25.40 [1.000]	39.12 [1.540]	2-822064-6	164
	△ ₇ △ ₆	20.32 [.800]	34.04 [1.340]	2-822064-5	132
	△ ₇ △ ₆	15.24 [.600]	28.96 [1.140]	2-822064-4	100
OBSOLETE	△ ₂	25.40 [1.000]	39.12 [1.540]	822064-6	164
	△ ₂	20.32 [.800]	34.04 [1.340]	822064-5	132
	△ ₂	15.24 [.600]	28.96 [1.140]	822064-4	100
FINISH		B	A	PART NO.	NO OF POSN

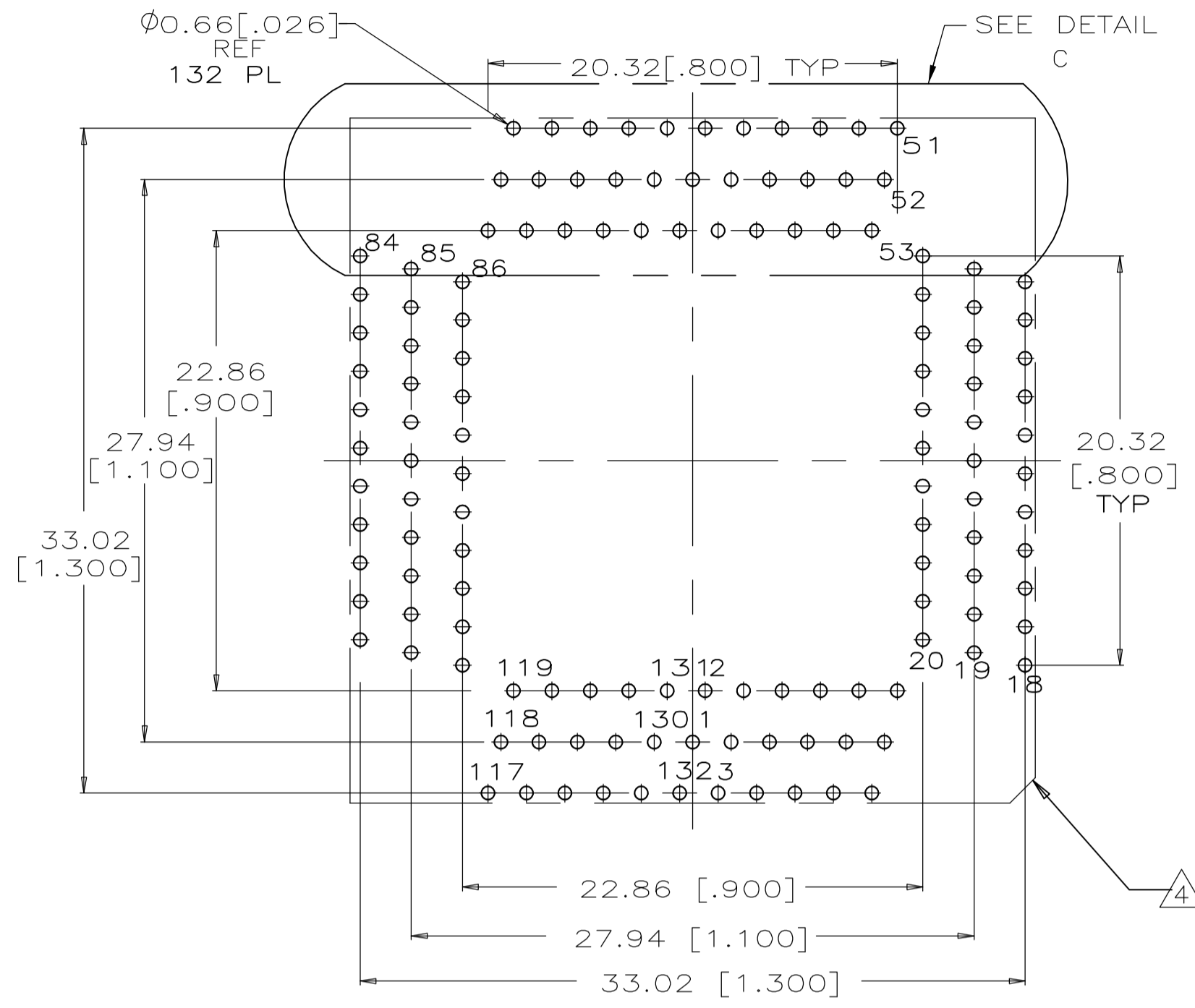
THIS DRAWING IS A CONTROLLED DOCUMENT.

DIMENSIONS: INCHES	TOLERANCES UNLESS OTHERWISE SPECIFIED:	DWG: K. SALMON 10-13-90	CHK: R. MILLER 10-13-90	APV: F. BOYD 10-13-90	NAME: F. BOYD	tyco Electronics	Tyco Electronics Corporation Harrisburg, Pa
0 PLC ± -	1 PLC ± -	2 PLC ± -	3 PLC ± 0.13[.005]	4 PLC ± -	ANGLES ± -	PRODUCT SPEC	MICRO-PITCH SOCKET HOUSING SUB-ASSEMBLY REVERSE FOOTPRINT
MATERIAL	FINISH SEE TABLE	WEIGHT	SIZE	CAGE CODE	DRAWING NO	RESTRICTED TO	
1 2 3 6			A1	00779	822064		
CUSTOMER DRAWING			SCALE	SHEET	REV	H	
			10:1	1 OF 3			

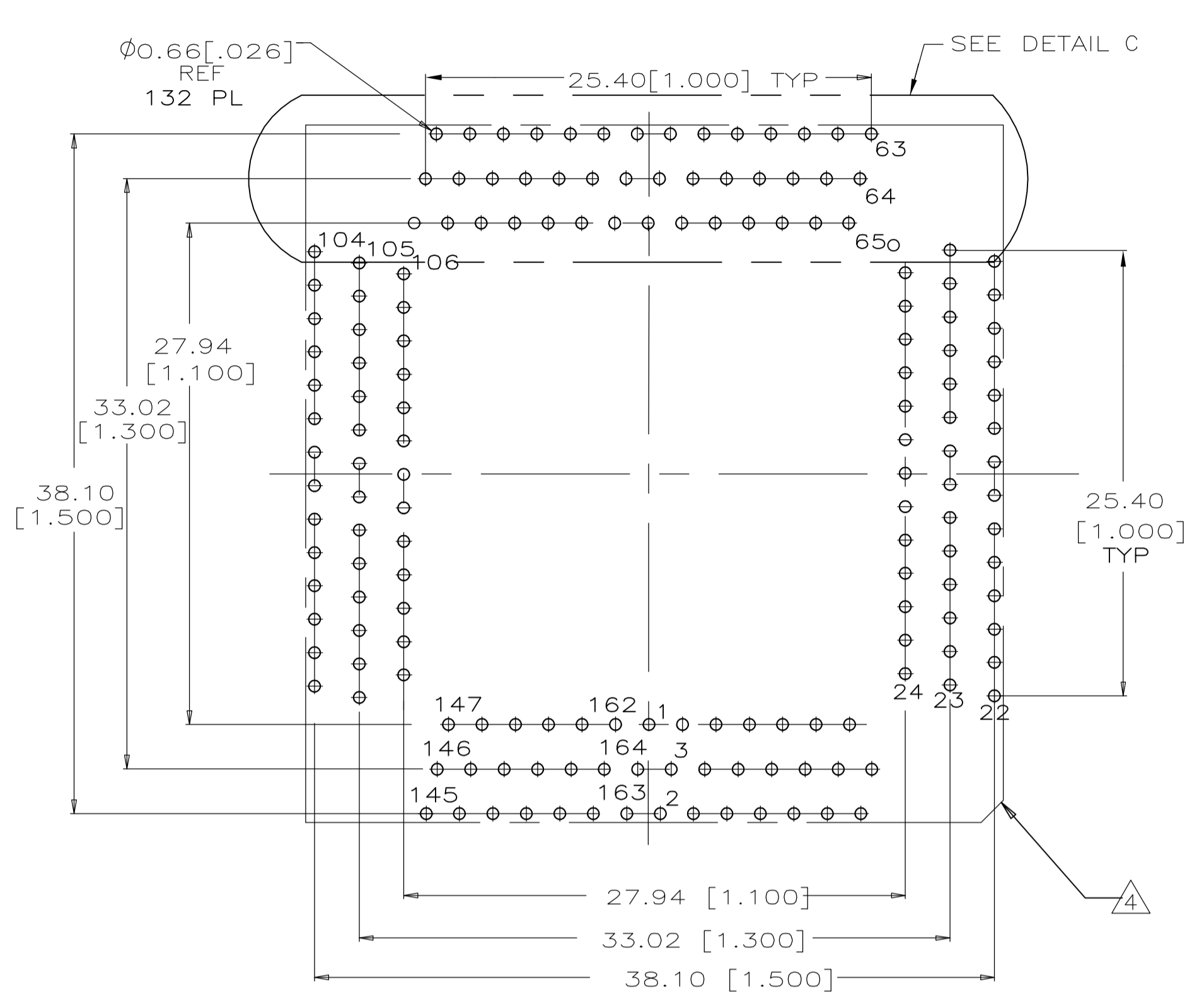
LOC		DIST		REVISIONS			
P	LTR	DESCRIPTION	DATE	DWN	APVD		
AG	53	SEE SHEET 1					



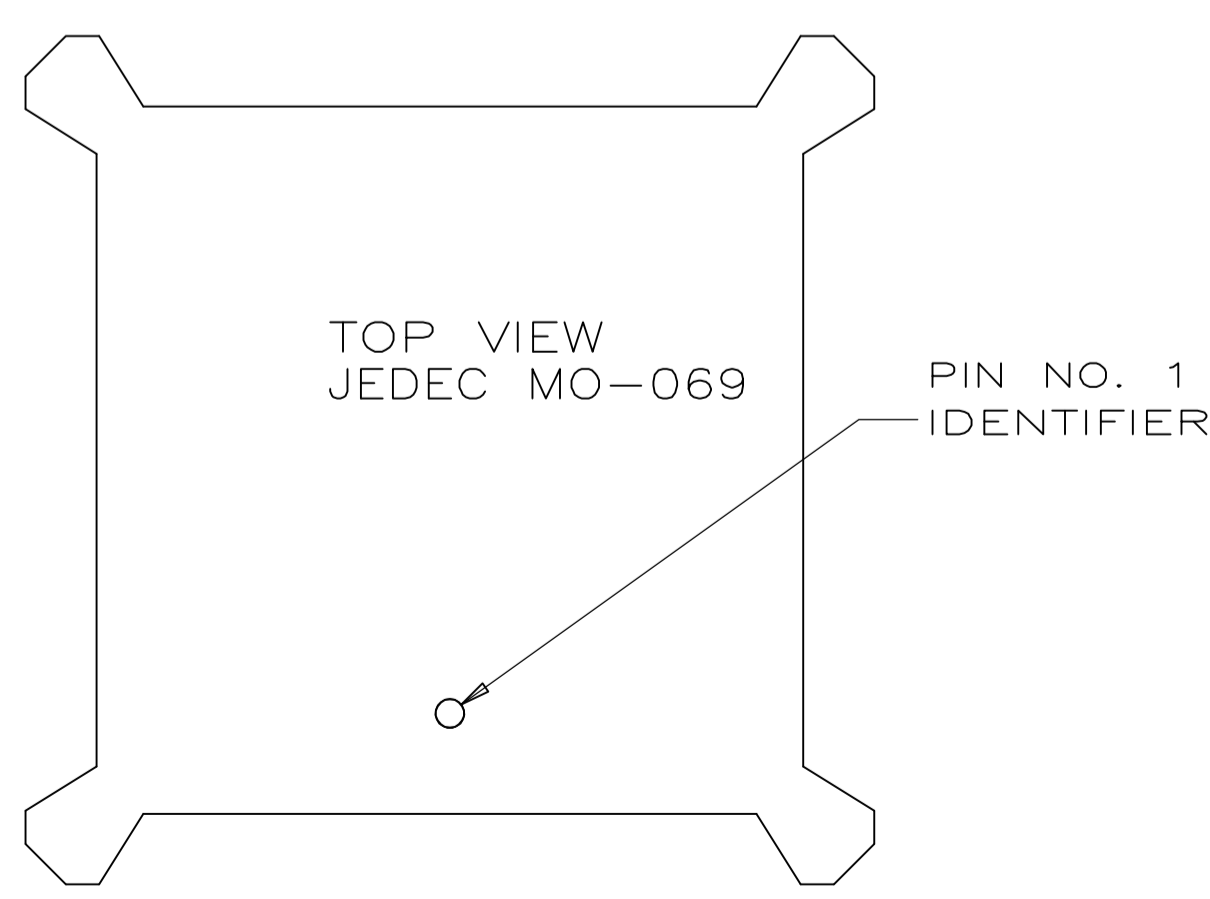
RECOMMENDED P.C. BOARD HOLE PATTERN
 SOCKET SIDE
 100 POSN. SCALE: 4:1



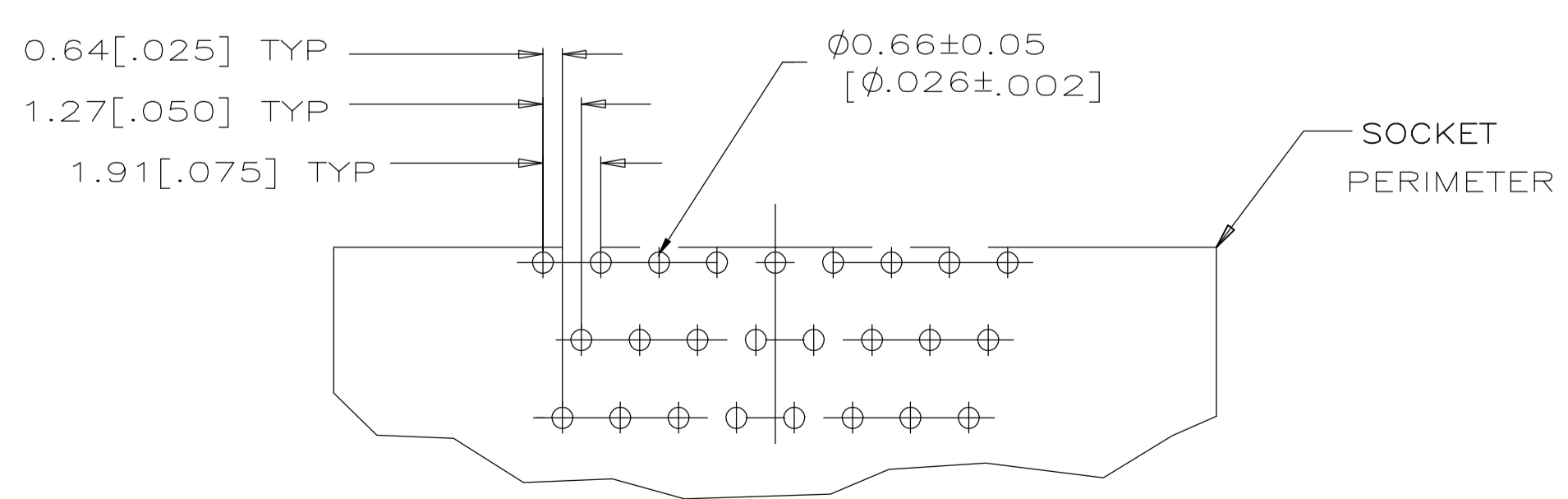
RECOMMENDED P.C. BOARD HOLE PATTERN
 SOCKET SIDE
 132 POSN. SCALE: 4:1



RECOMMENDED P.C. BOARD HOLE PATTERN
 SOCKET SIDE
 164 POSN. SCALE: 4:1



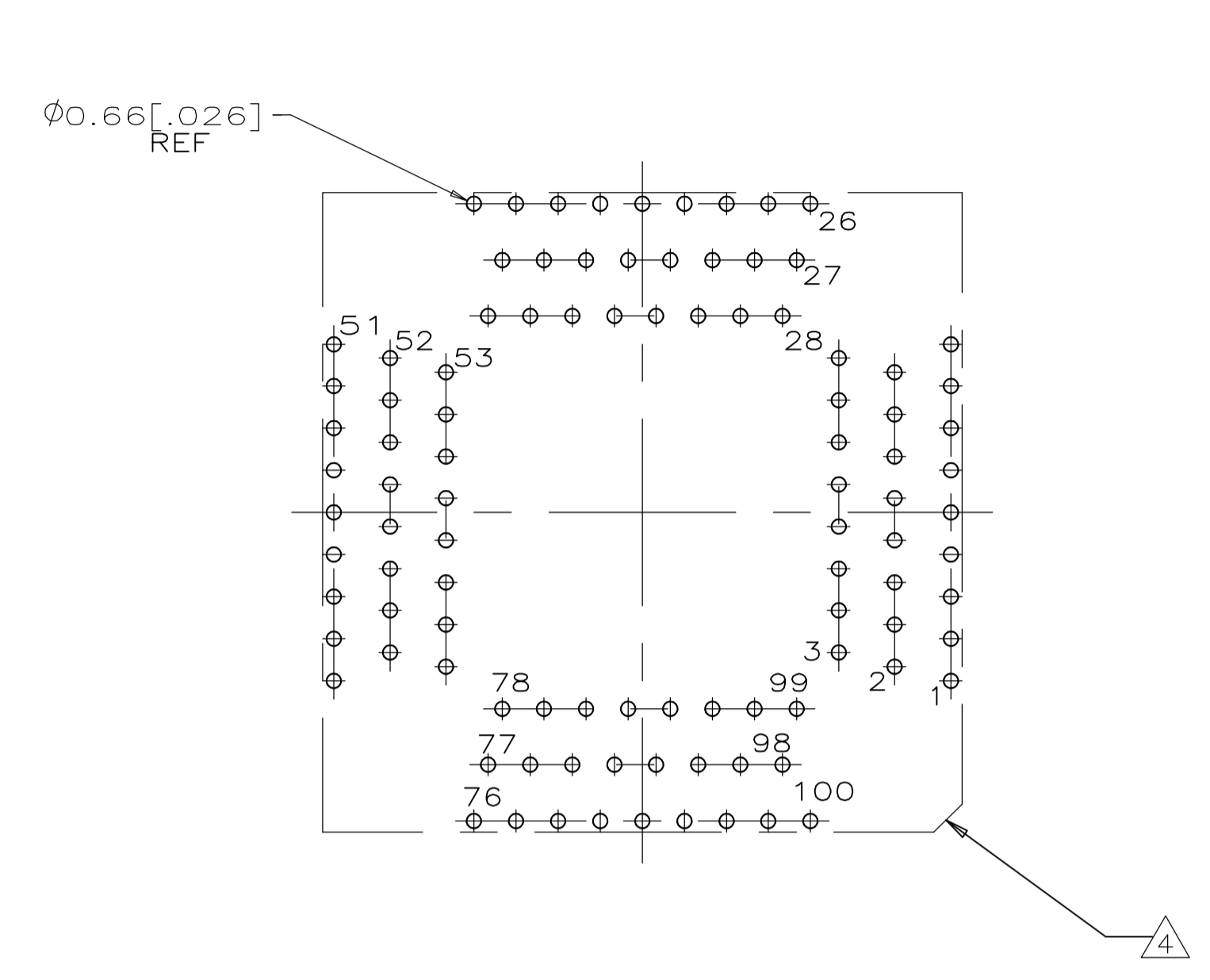
CHIP POLARIZATION REFERENCE VIEW
 (PIN NUMBERING ON THIS SHEET ARE FOR CENTER LOCATION OF PIN 1 IDENTIFIER)



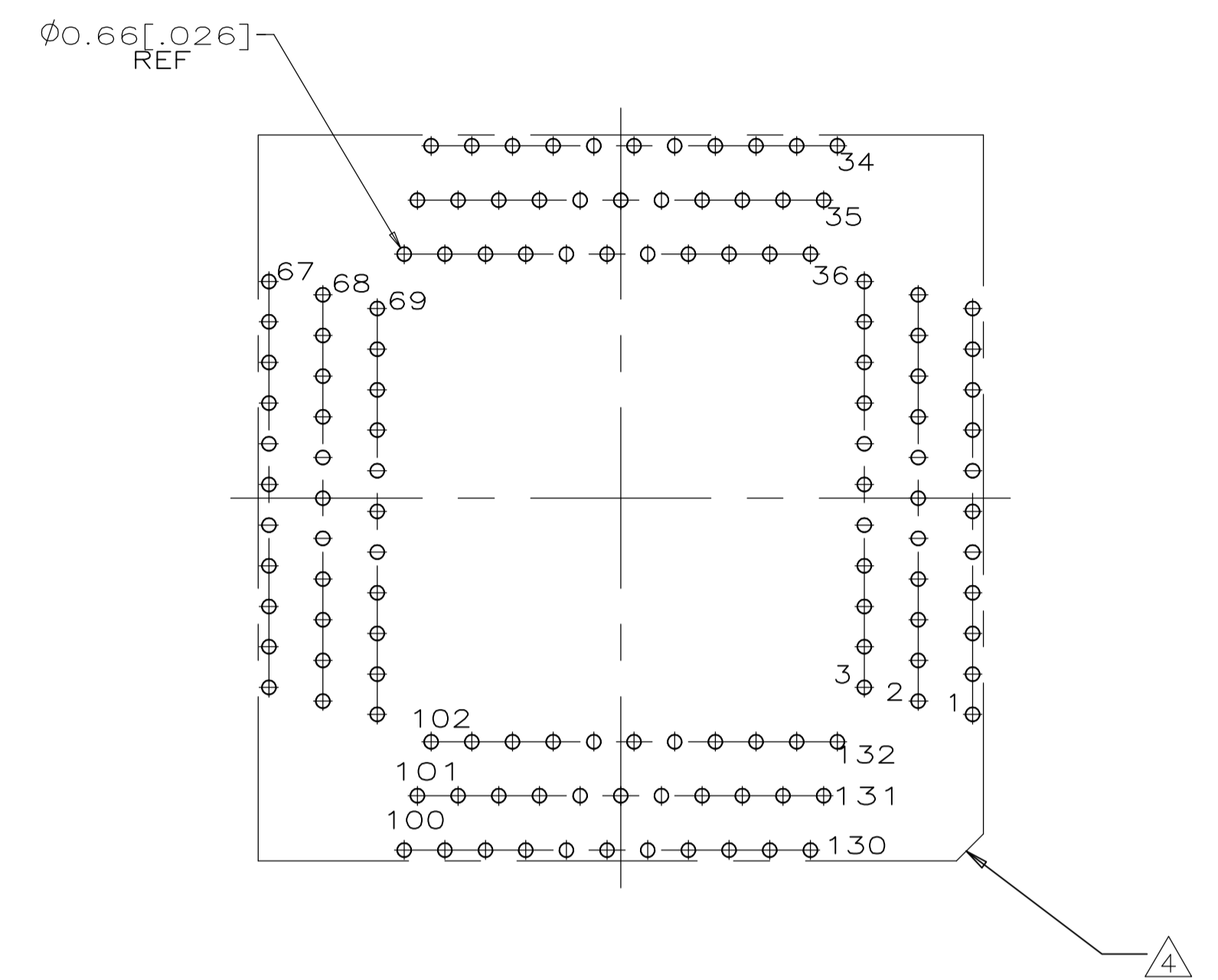
DETAIL C
 (TYP FOR ALL POSITIONS)

THIS DRAWING IS A CONTROLLED DOCUMENT.		DWN K. SALMON 10-13-90		Tyco Electronics Corporation Harrisburg, Pa.	
DIMENSIONS: INCHES		CHK R. MILLER 10-13-90		NAME	
TOLERANCES UNLESS OTHERWISE SPECIFIED:		PRODUCT SPEC	MICRO-PITCH SOCKET HOUSING SUB-ASSEMBLY REVERSE FOOTPRINT		
0 PLC ± - 1 PLC ± - 2 PLC ± - 3 PLC ± 0.13 [.005] 4 PLC ± - ANGLES ± - FINISH SEE TABLE		APPLICATION SPEC	SIZE A1	CAGE CODE 00779	DRAWING NO. 822064
MATERIAL		WEIGHT	RESTRICTED TO	SCALE 10:1	SHEET 2
CUSTOMER DRAWING				REV H	

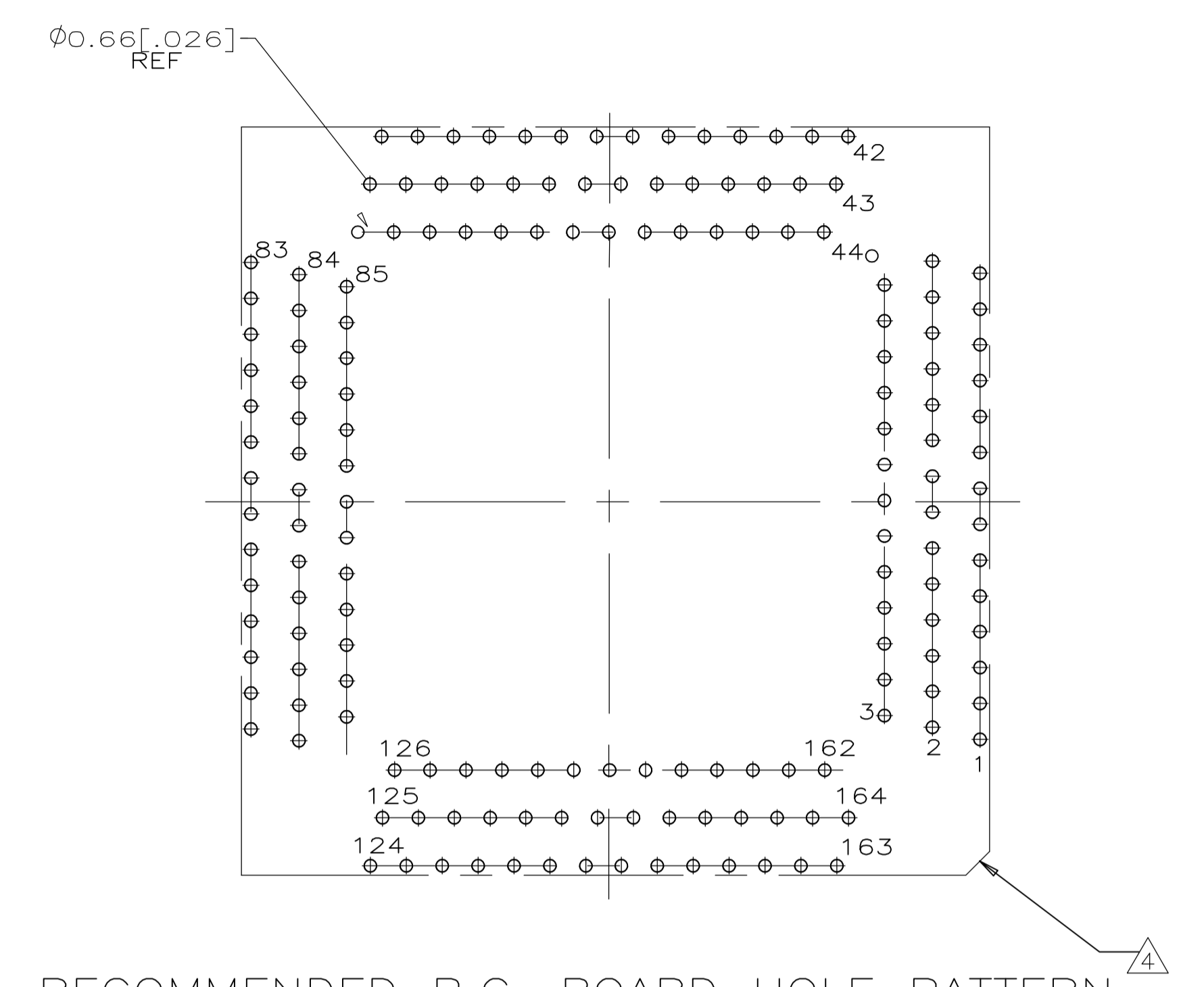
LOC	DIST	REVISIONS			
P	LTR	DESCRIPTION	DATE	DWN	APVD
AG	53	SEE SHEET 1	-	-	-



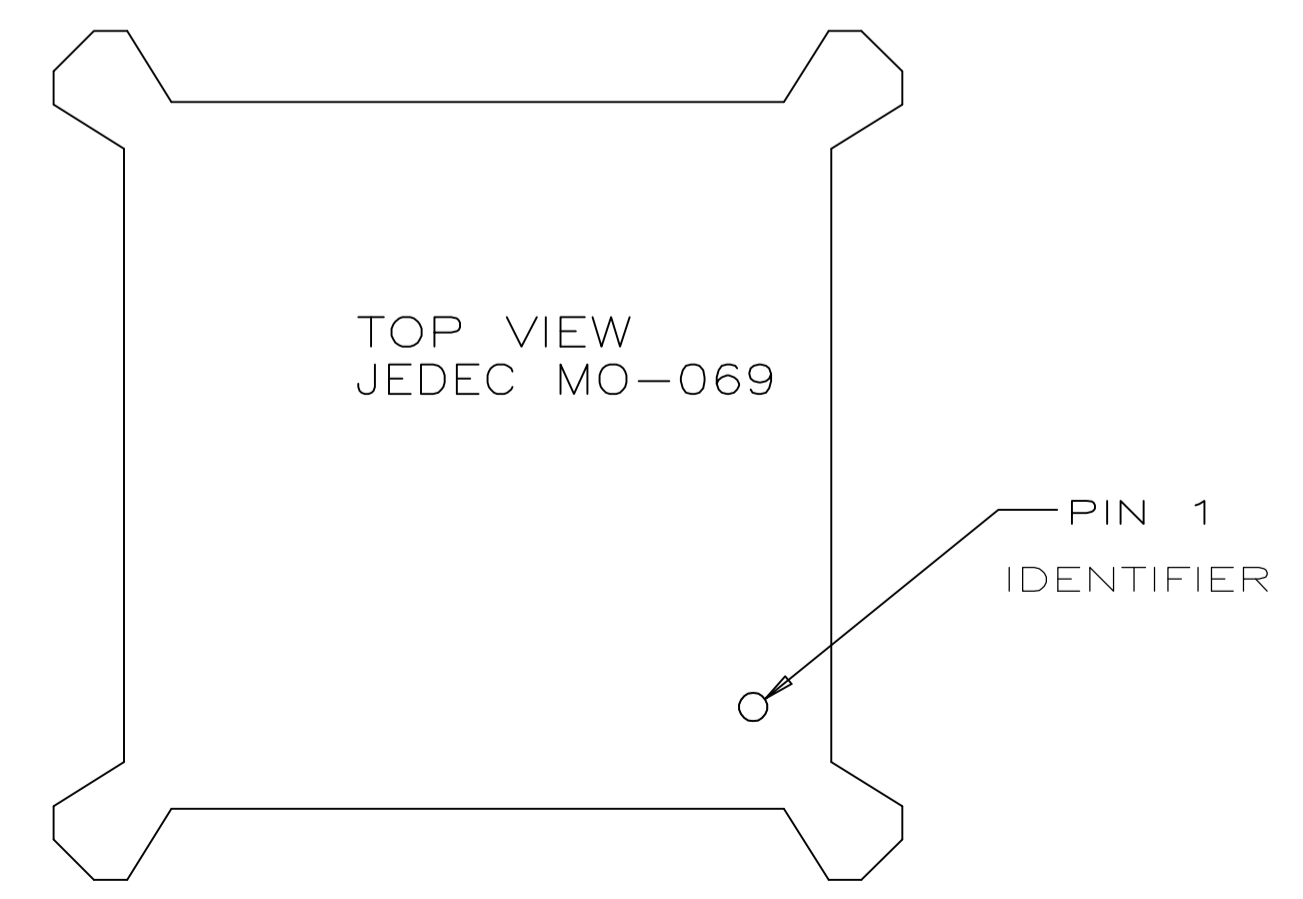
RECOMMENDED P.C. BOARD HOLE PATTERN
 SOCKET SIDE
 100 POSN.
 SEE SHEET 2 100 POSN FOR DIMENSIONS



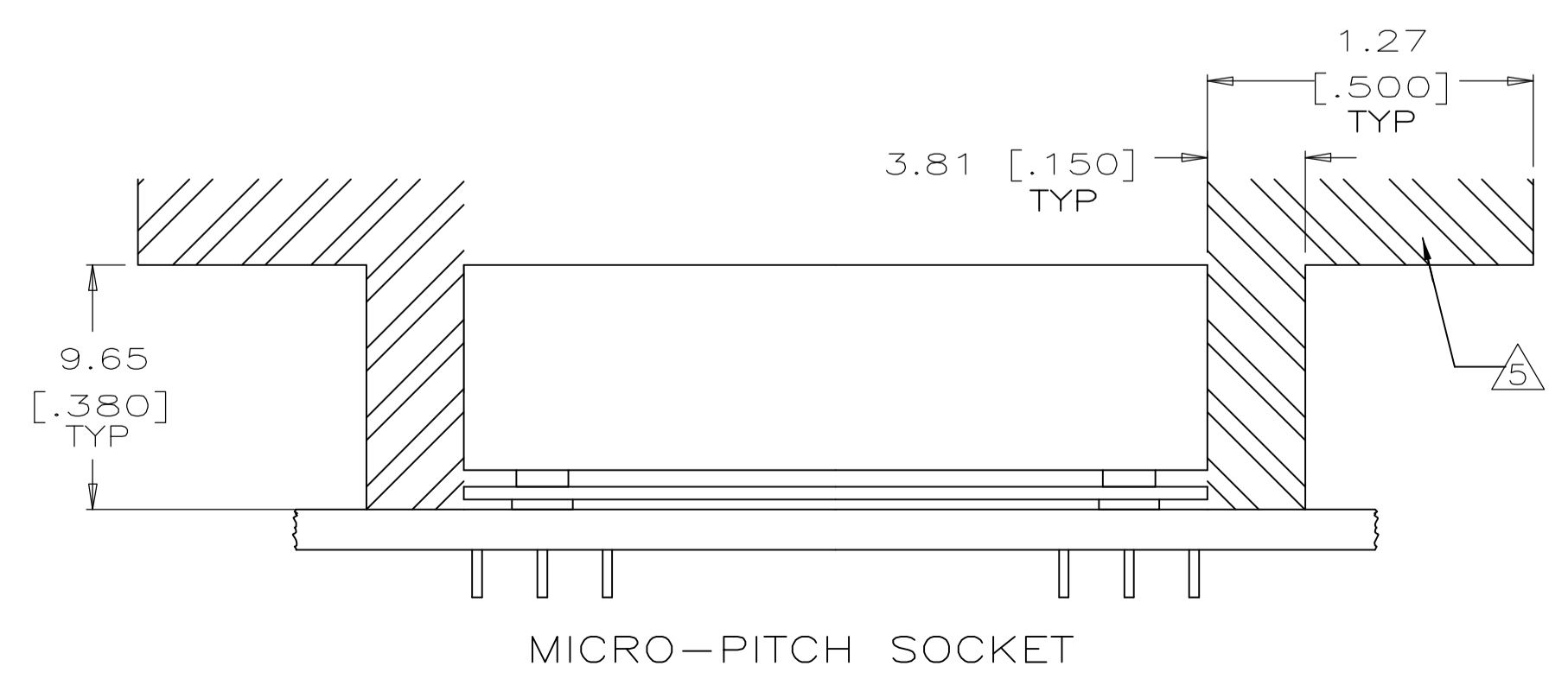
RECOMMENDED P.C. BOARD HOLE PATTERN
 SOCKET SIDE
 132 POSN.
 SEE SHEET 2 132 POSN FOR DIMENSIONS



RECOMMENDED P.C. BOARD HOLE PATTERN
 SOCKET SIDE
 164 POSN.
 SEE SHEET 2 164 POSN FOR DIMENSIONS



CHIP POLARIZATION REFERENCE VIEW
 (PIN NUMBERING ON THIS SHEET IS FOR OFF CENTER LOCATION OF PIN 1 IDENTIFIER)



MICRO-PITCH SOCKET

THIS DRAWING IS A CONTROLLED DOCUMENT.		DWN: K. SALMON 10-13-90		Tyco Electronics Corporation Harrisburg, Pa.	
DIMENSIONS: INCHES		CHK: R. MILLER 10-13-90		NAME: MICRO-PITCH SOCKET HOUSING SUB-ASSEMBLY REVERSE FOOTPRINT	
TOLERANCES UNLESS OTHERWISE SPECIFIED:		APVD: F. BOYD 10-13-90	SIZE: A1		
0 PLC ± .010	1 PLC ± .010	2 PLC ± .010	3 PLC ± 0.13(.005)	4 PLC ± .010	ANGLES ± .010
MATERIAL: SEE TABLE		FINISH: SEE TABLE	WEIGHT: -	CAGE CODE: 822064	RESTRICTED TO: -
CUSTOMER DRAWING			SCALE: 10:1	SHEET: 3 OF 3	REV: H

X-ON Electronics

Largest Supplier of Electrical and Electronic Components

Click to view similar products for [Headers & Wire Housings](#) category:

Click to view products by [TE Connectivity](#) manufacturer:

Other Similar products are found below :

[95000-104TRLF](#) [10135584-644402LF](#) [DF62W-EP2022PCA](#) [95000-106TRLF](#) [DF62W-2022SCA](#) [DF62W-EP2022PC](#) [2203348](#) [DF62W-2022SC](#) [1084018](#) [1029039](#) [1084017](#) [802-10-012-10-002000](#) [1112640](#) [1112639](#) [000-34000](#) [0009482033](#) [0009507031](#) [57102-S06-03LF](#) [57202-S52-04LF](#) [PCN6-15S-2.5E](#) [0039019024](#) [58102-G61-06LF](#) [582553-1](#) [0009508121](#) [0050291907](#) [018731A](#) [LY20-4P-DT1-P1E-BR](#) [02.125.8002.8](#) [60101931](#) [60598-1 \(Cut Strip\)](#) [M1625-3R/100](#) [61062-3](#) [61082-181009](#) [636-1427](#) [638009-1](#) [641938-9](#) [641991-4](#) [644168-1](#) [647662-1](#) [65039-019ELF](#) [65817-002LF](#) [65817-015LF](#) [65863-015LF](#) [66207-023LF](#) [67016-026LF](#) [67046-001LF](#) [67095-007LF](#) [68002-116](#) [68016-236H](#) [68648-049](#)