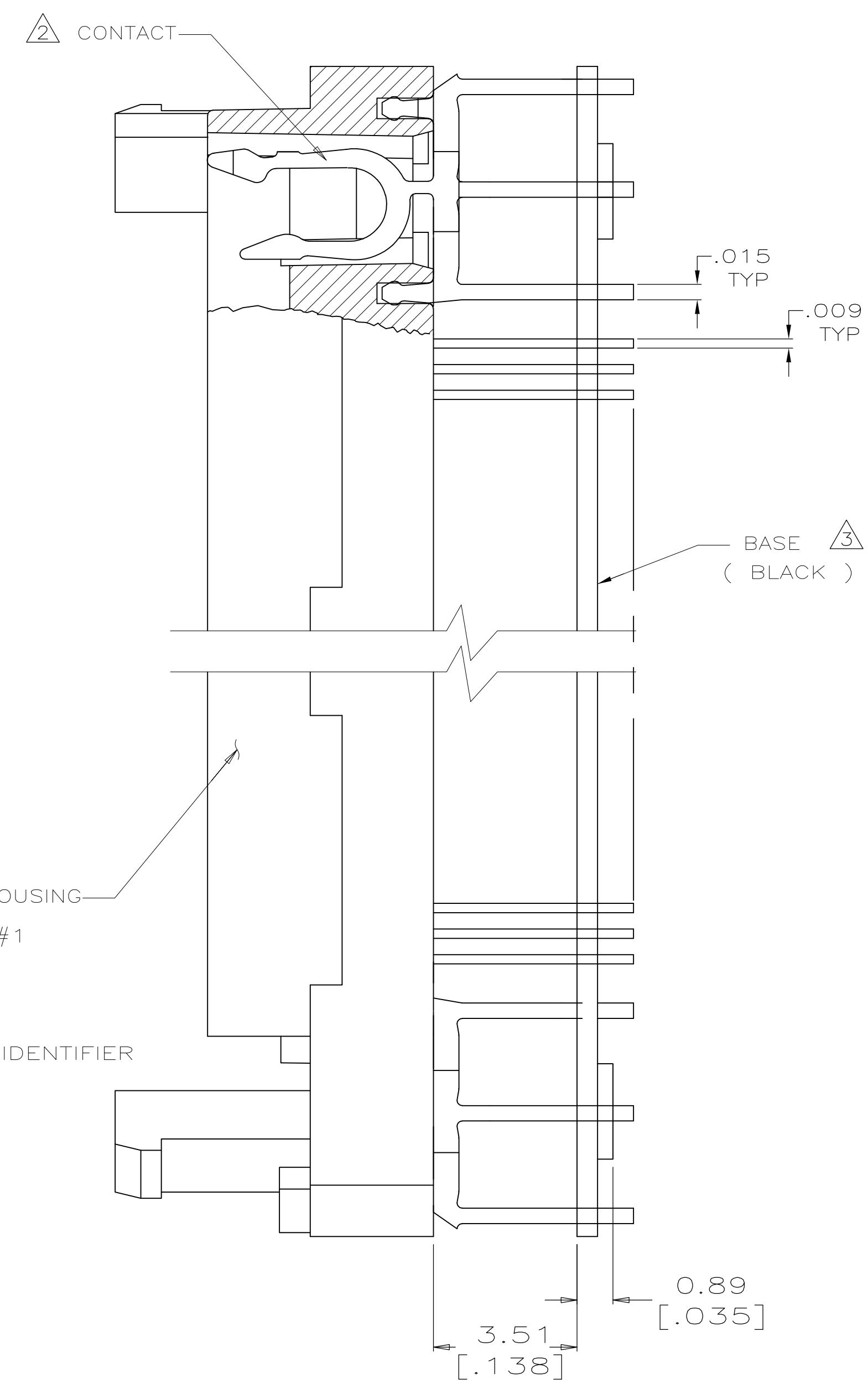
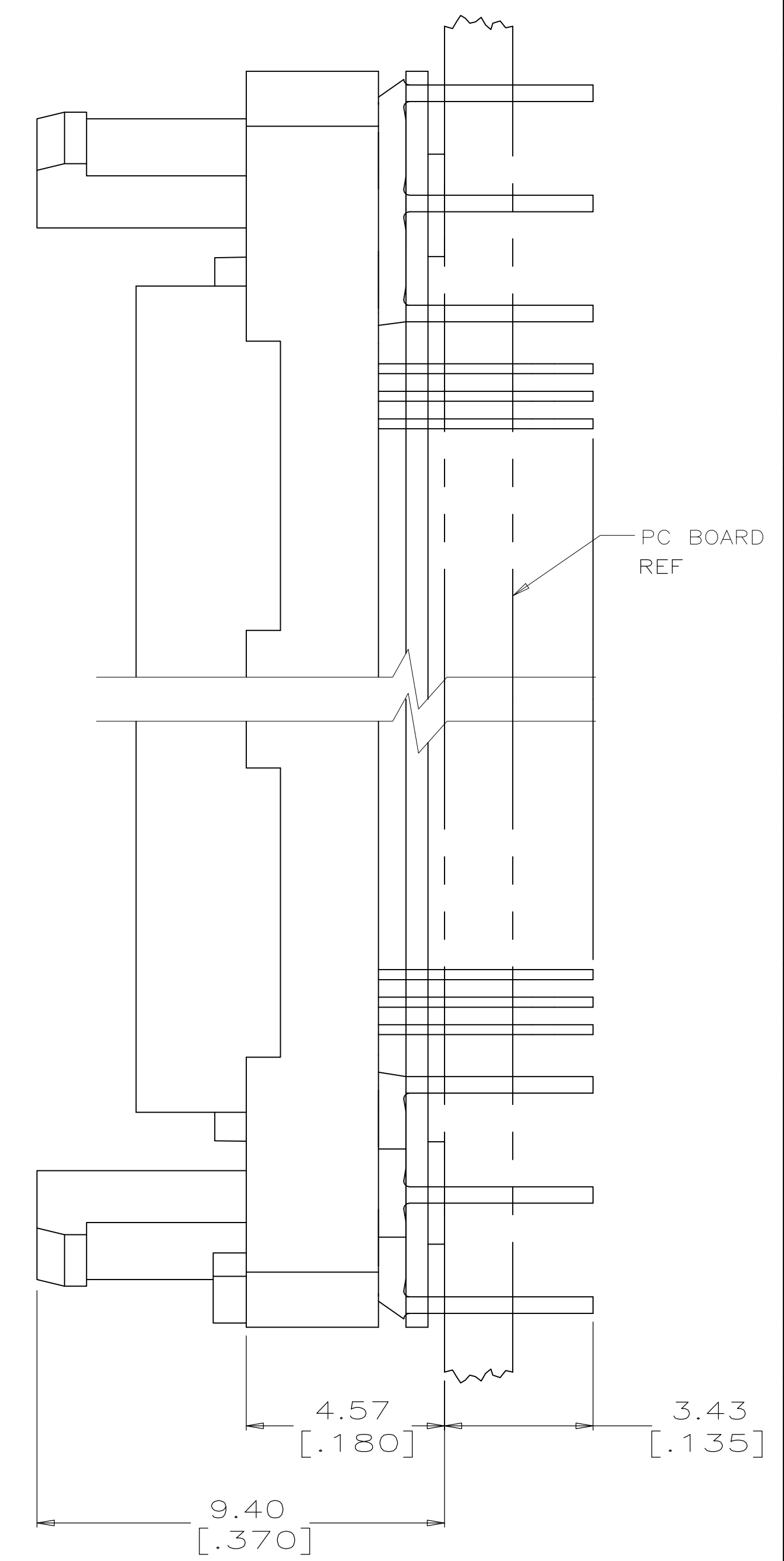


SUB-ASSEMBLY SHOWN AS SHIPPED



SUB-ASSEMBLY SHOWN IN FINAL POSITION



- ① HOUSING MATERIAL SHALL BE LIQUID CRYSTAL POLYMER. (BLACK)
- ② CONTACT MATERIAL SHALL BE PHOS. BRONZE. PLATING SHALL BE .000200 [0.00508] MIN. TIN/LEAD OVER .000050 [0.00127] MIN. NICKEL ALL OVER.
- ③ BASE MATERIAL SHALL BE LIQUID CRYSTAL POLYMER. (BLACK)
- ④ CONTACT MATERIAL SHALL BE PHOS. BRONZE. PLATING SHALL BE .000200 [0.00508] MIN. TIN (LEAD FREE) OVER .000050 [0.00127] MIN. NICKEL ALL OVER.

822115-4	④	6.43 [.253]	25.35 [.998]	38.20 [1.504]	2-822114-4	160
822115-3	④	7.73 [.304]	22.76 [.896]	38.20 [1.504]	2-822114-3	144
822115-4	②	6.43 [.253]	25.35 [.998]	38.20 [1.504]	822114-4	160
822115-3	②	7.73 [.304]	22.76 [.896]	38.20 [1.504]	822114-3	144
MATING COVER PART NO.	FINISH	C	B	A	PART NO.	POSN.

THIS DRAWING IS A CONTROLLED DOCUMENT.

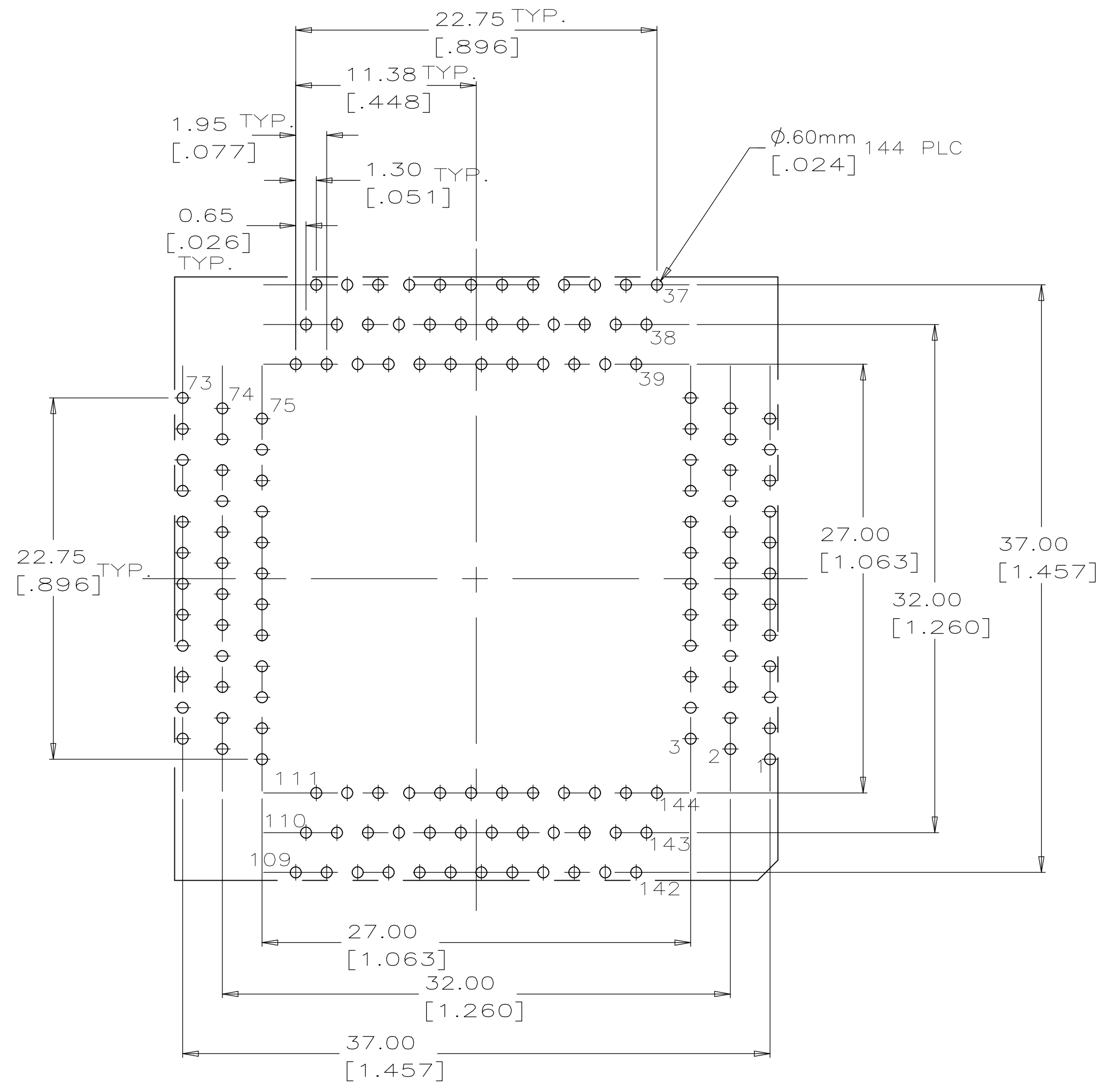
DWN	C.WHITT	8-8-91
CHK	R.MILLER	8-8-91
APPV	G.HOWEL	8-15-91

TE Connectivity

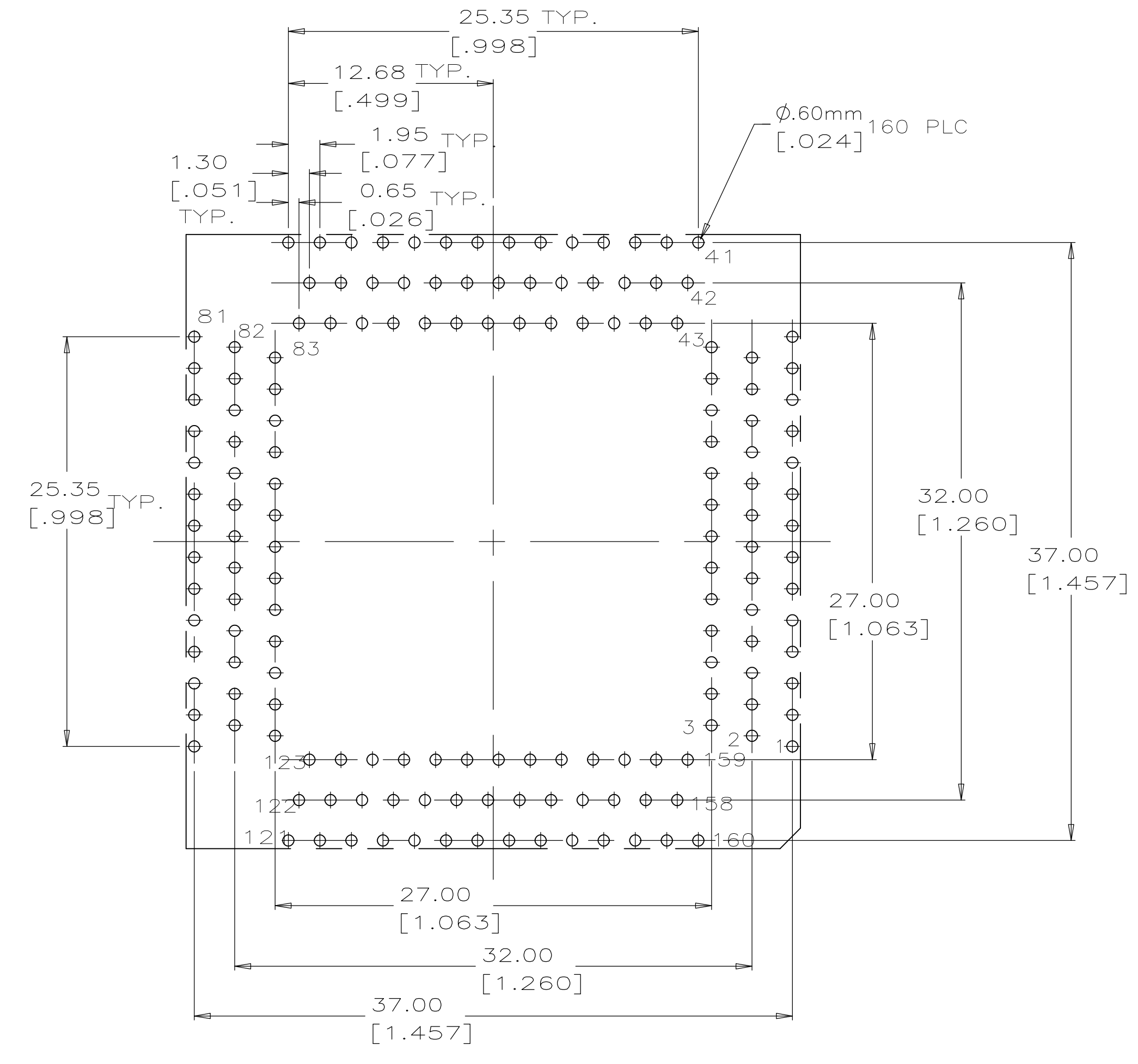
MICRO-PITCH SOCKET, METRIC HOUSING SUB-ASSEMBLY FOR 28mm SQUARE, .65 PITCH PQFP

SIZE: A1 DAGE CODE: C DRAWING NO: 00779 PART NO: 822114

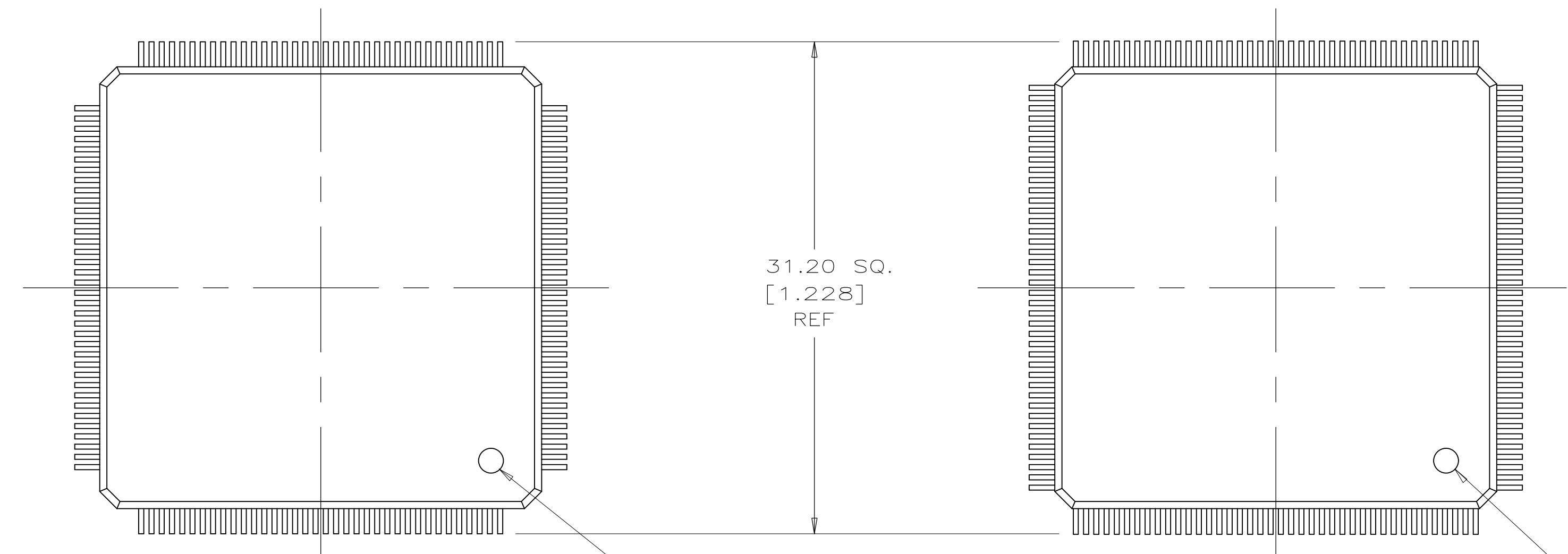
SCALE: 10:1 SHEET: 1 OF 2 REV: E1



RECOMMENDED P.C. BOARD HOLE PATTERN
SOCKET SIDE
144 POSN.



RECOMMENDED P.C. BOARD HOLE PATTERN
SOCKET SIDE
160 POSN.

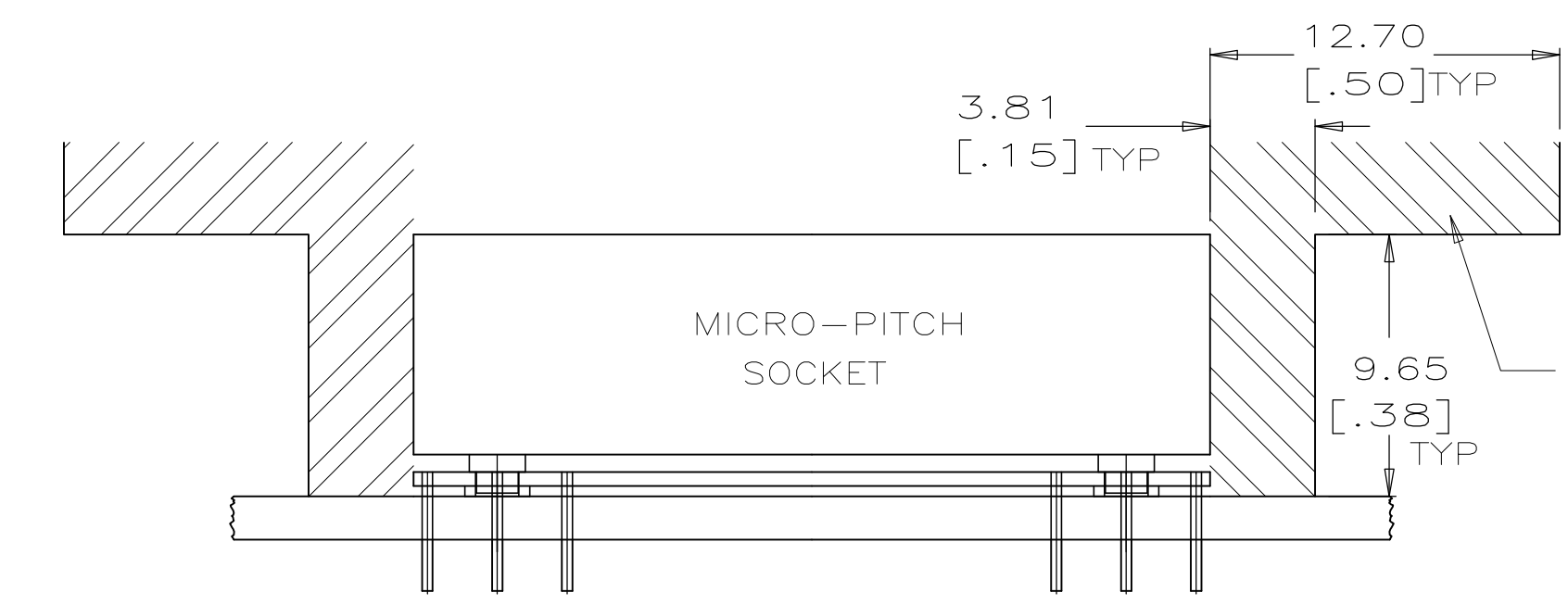


144 POSITION

160 POSITION

PIN #1 IDENTIFIER

PIN #1 IDENTIFIER



THIS AREA TO BE FREE OF COMPONENTS FOR ACCESS OF THE MICRO-PITCH HAND TOOL. MINIMUM OF TWO OPPOSITE SIDES.

THIS DRAWING IS A CONTROLLED DOCUMENT.		DWN	C. WHITT	8-9-91	STE TE Connectivity
		CHK	R. MILLER	8-9-91	
DIMENSIONS:		APVD	G. HOWEL	8-15-91	NAME
INCHES		PRODUCT SPEC		MICRO-PITCH SOCKET, METRIC	
TOLERANCES UNLESS OTHERWISE SPECIFIED:		APPLICATION SPEC		HOUSING SUB-ASSEMBLY FOR	
0 PLC	±			28mm SQUARE, .65 PITCH PQFP	
1 PLC	±			SIZE	CAGE CODE
2 PLC	±			A1	00779
3 PLC	±			DRAWING NO	822114
4 PLC	±			RESTRICTED TO	
ANGLES	±			CUSTOMER DRAWING	
MATERIAL		FINISH		SCALE	10:1
				SHEET	2 OF 2
				REV	E1

X-ON Electronics

Largest Supplier of Electrical and Electronic Components

Click to view similar products for IC & Component Sockets category:

Click to view products by TE Connectivity manufacturer:

Other Similar products are found below :

[0066-3-17-15-30-14-02-0](#) [670](#) [672](#) [673](#) [694-13-640-00-672-000](#) [712-93-120-41-001000](#) [714-93-104-31-018000](#) [8059-4G1-LF](#) [807-22-001-10-001101](#) [807-22-001-10-006101](#) [807-22-001-30-011101](#) [807-22-001-30-012101](#) [807-22-001-30-013101](#) [807-22-001-30-014101](#) [8-1437531-4](#) [8150-6P10](#) [833-93-034-10-001000](#) [851-41-006-10-001000](#) [851-43-008-20-001000](#) [851-43-014-20-001000](#) [851-93-006-20-001000](#) [851-93-010-20-001000](#) [853-43-020-10-001000](#) [86.010.0053.0](#) [116-43-308-41-007000](#) [PX-68LCC](#) [121-13-318-41-001000](#) [121-13-320-41-001000](#) [121-13-308-41-001000](#) [123-43-314-41-801000](#) [123-43-420-41-001000](#) [122-13-316-41-001000](#) [123-13-624-41-001000](#) [123-43-306-41-001000](#) [12-3513-11](#) [123-91-320-41-001000](#) [126-43-310-41-002000](#) [AKSUN 37V-T](#) [1437503-9](#) [1437504-1](#) [146-44-308-41-013000](#) [146-43-308-41-012000](#) [160-10-308-00-001000](#) [160-40-320-00-001000](#) [214-99-306-01-670800](#) [232-1270-02-0602](#) [2-382761-4](#) [2-5331677-4](#) [2-640360-3](#) [2801-2-00-50-00-00-07-0](#)