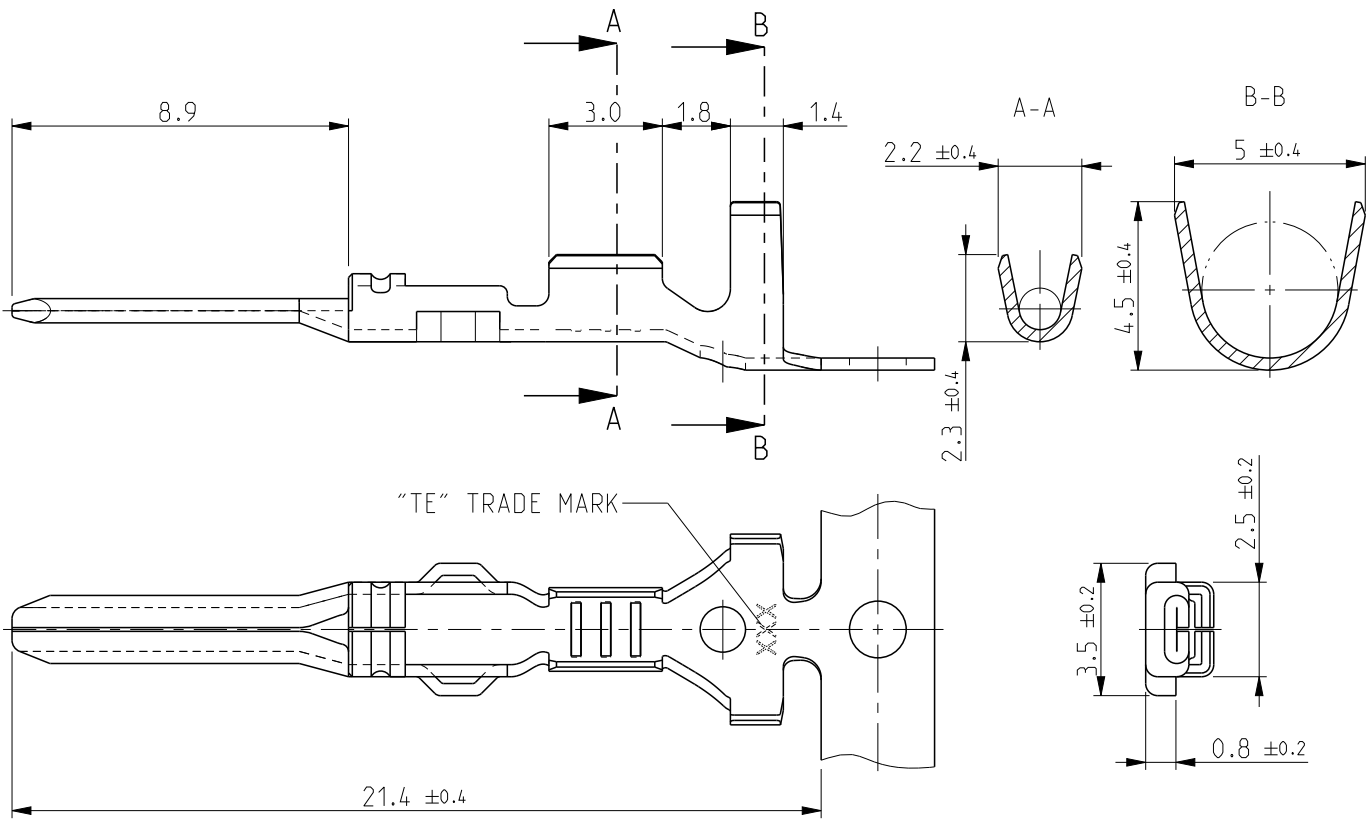


REVISIONS					
P	LTR	DESCRIPTION	DATE	DWN	APVD
	A1	REDRAWN TO CREO	13APR2017	JJH	JP



1. DELIVERY STATE: WRAPPED UP ROLL WITH STEP BETWEEN TERMINALS = 11.9±0.2mm
 STATO DI FORNITURA: AVVOLTI SU BOBINA CON PASSO TRA TERMINALI DI = 11.9±0.2mm

2. SUITABLE FOR SINGLE WIRE SEAL TE PN 828904-1
 ADDETTO PER GOMMINO TE 828904-1

CUSTOMER DRAWING FOR INFORMATION ONLY
 DISEGNO PER CLIENTE SOLO PER RIFERIMENTO

INS. DIA. RANGE (DIAM. ISOLANTE)	WIRE RANGE (RANGO FILO)
2	0.3 - 0.5mm ²

PRE-TIN (PRE-STAGNATO)	BRASS (OTTONE)	282226-1
FINISH/COLOUR (FINITURE/COLORE)	MATERIAL (MATERIALE)	PART NUMBER

DIMENSIONS: mm	DWN D. CHIACCHIO 12MAY1993	MATERIAL	FINISH									
TOLERANCES UNLESS OTHERWISE SPECIFIED:	CHK G. VIGNOLI 13MAY1993	TE Connectivity										
<table border="1"> <tr> <td>0 PLC</td> <td>±</td> </tr> <tr> <td>1 PLC</td> <td>±</td> </tr> <tr> <td>2 PLC</td> <td>±</td> </tr> <tr> <td>3 PLC</td> <td>±</td> </tr> <tr> <td>4 PLC</td> <td>±</td> </tr> </table> ±0.3	0 PLC			±	1 PLC	±	2 PLC	±	3 PLC	±	4 PLC	±
0 PLC	±											
1 PLC	±											
2 PLC	±											
3 PLC	±											
4 PLC	±											
APVD -	APPLICATION SPEC 114-20067	SIZE A 4	CAGE CODE -									
<table border="1"> <tr> <td>ANGLE</td> <td>±°</td> </tr> </table>	ANGLE	±°	WEIGHT -	DRAWING NO C=282226	RESTRICTED TO -							
ANGLE	±°											
CUSTOMER DRAWING		SCALE 5:1	SHEET 1 OF 1									
			REV A1									

THIS DRAWING IS UNPUBLISHED. ALL RIGHTS RESERVED. © COPYRIGHT copyright_date BY -

X-ON Electronics

Largest Supplier of Electrical and Electronic Components

Click to view similar products for [Terminals](#) category:

Click to view products by [TE Connectivity](#) manufacturer:

Other Similar products are found below :

[00-054007-01074-6](#) [00-054007-70206-1](#) [00-054007-70210-8](#) [00-054007-70217-7](#) [00-054007-70228-3](#) [00-054007-70256-6](#) [00-054007-70316-7](#) [00-054007-49560-4](#) [00-054007-70209-2](#) [00-054007-70231-3](#) [00-054007-70241-2](#) [00-054007-70242-9](#) [00-054007-70246-7](#) [00-054007-70263-4](#) [00-054007-70288-7](#) [00-054007-70290-0](#) [00-054007-70300-6](#) [00-054007-70304-4](#) [01-2900-1-04412](#) [600TS-10](#) [605601-1](#) [60617-1-C](#) [61314-6-C](#) [61810-3](#) [626-0194](#) [63-S](#) [M55155/079C01](#) [M55155/099B03](#) [M55155/109H01](#) [M55155/29XJ08](#) [M55155/30-6S](#) [M55155/30-9S](#) [M55155/30XI09](#) [M6-14RSX](#) [696683-1](#) [696861-1](#) [696999-1](#) [M86700006](#) [D18-110B-C](#) [D18-110B-M](#) [701-1936](#) [701-1955](#) [701-2003](#) [701-2007](#) [701-2013](#) [701-2018](#) [701-2069](#) [701-2077-60](#) [701-2315](#) [701-2349](#)