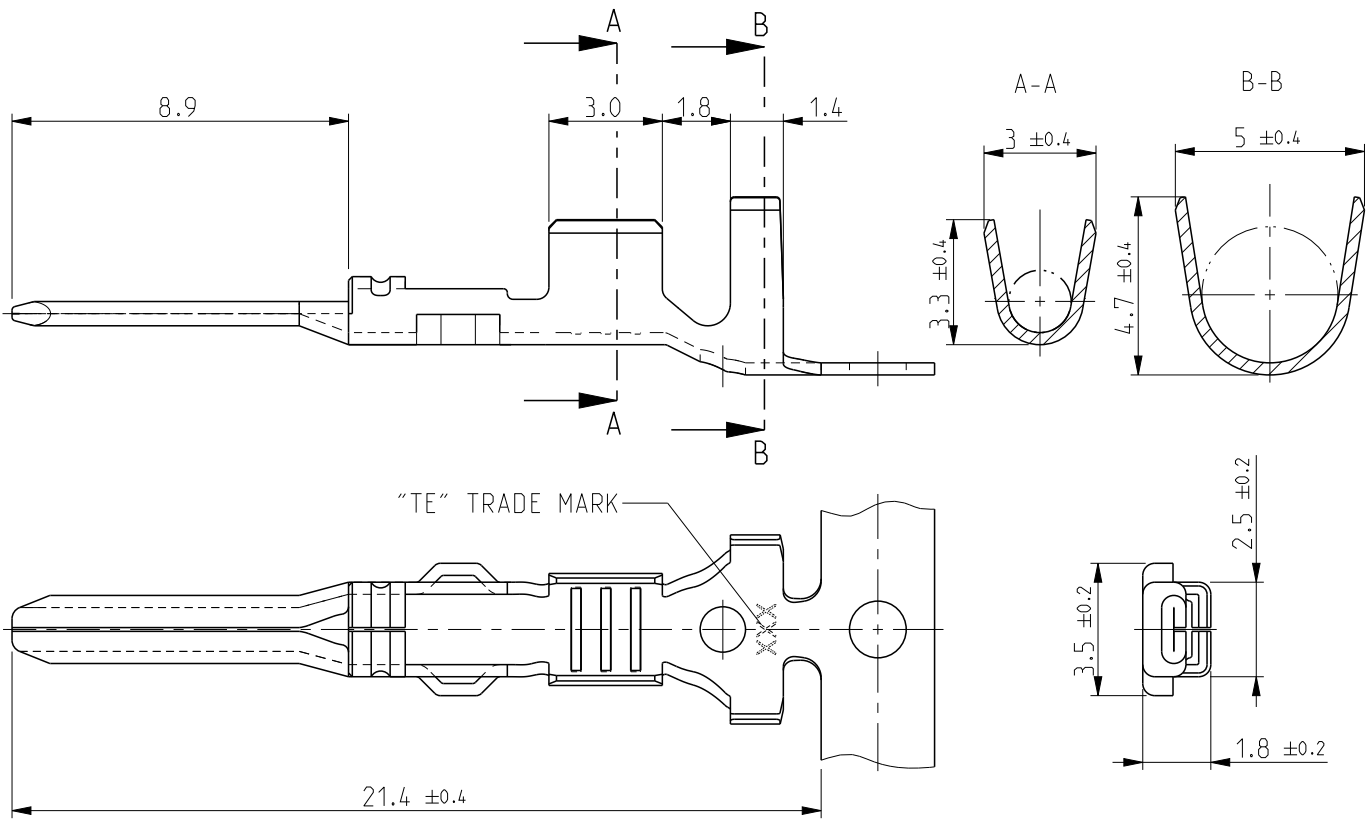


REVISIONS					
P	LTR	DESCRIPTION	DATE	DWN	APVD
	A1	REDRAWN TO CREO	13APR2017	JJH	JP



1. DELIVERY STATE: WRAPPED UP ROLL WITH STEP BETWEEN TERMINALS = 11.9±0.2mm  
 STATO DI FORNITURA: AVVOLTI SU BOBINA CON PASSO TRA TERMINALI DI = 11.9±0.2mm

2. SUITABLE FOR SINGLE WIRE SEAL TE PN 828905-1  
 ADDETTO PER GOMMINO TE 828905-1

CUSTOMER DRAWING FOR INFORMATION ONLY  
 DISEGNO PER CLIENTE SOLO PER RIFERIMENTO

INS. DIA. RANGE (DIAM. ISOLANTE)	WIRE RANGE (RANGO FILO)	PRE-TIN (PRE-STAGNATO)	BRASS (OTTONE)	282227-1
2	1.0 - 1.5mm <sup>2</sup>	FINISH/COLOUR (FINITURE/COLORE)	MATERIAL (MATERIALE)	PART NUMBER

DIMENSIONS: mm	DWN D. CHIACCHIO 12MAY1993	MATERIAL	FINISH									
TOLERANCES UNLESS OTHERWISE SPECIFIED:	CHK G. VIGNOLI 13MAY1993	TE Connectivity										
<table border="1"> <tr> <td>0 PLC</td> <td>±</td> </tr> <tr> <td>1 PLC</td> <td>±</td> </tr> <tr> <td>2 PLC</td> <td>±</td> </tr> <tr> <td>3 PLC</td> <td>±</td> </tr> <tr> <td>4 PLC</td> <td>±</td> </tr> </table> ±0.3	0 PLC			±	1 PLC	±	2 PLC	±	3 PLC	±	4 PLC	±
0 PLC	±											
1 PLC	±											
2 PLC	±											
3 PLC	±											
4 PLC	±											
APVD -	APPLICATION SPEC 114-20067	SIZE A 4	CAGE CODE -									
<table border="1"> <tr> <td>                  ANGLES ±2°             </td> <td>WEIGHT -</td> <td>DRAWING NO C=282227</td> <td>RESTRICTED TO -</td> </tr> </table>	ANGLES ±2°	WEIGHT -	DRAWING NO C=282227	RESTRICTED TO -	CUSTOMER DRAWING	SCALE 5:1	SHEET 1 OF 1					
ANGLES ±2°	WEIGHT -	DRAWING NO C=282227	RESTRICTED TO -									
			REV A1									

THIS DRAWING IS UNPUBLISHED. ALL RIGHTS RESERVED. COPYRIGHT copyright\_date BY -

## X-ON Electronics

Largest Supplier of Electrical and Electronic Components

*Click to view similar products for [Automotive Connectors](#) category:*

*Click to view products by [TE Connectivity](#) manufacturer:*

Other Similar products are found below :

[003-018-000](#) [60993906-B](#) [72.330.1035.1](#) [776880-1](#) [827153-1](#) [9-1326729-8](#) [9-221607-5](#) [925474-1](#) [928905-1](#) [964562-4](#) [968782-1](#) [98891-1012](#) [12004468](#) [12004475-L](#) [12004483](#) [12052466](#) [12066163](#) [12015909](#) [12077753](#) [1-21030-1](#) [12047957](#) [12047958](#) [12084688](#) [12185550](#) [12336-12](#) [1-326211-1](#) [13681974](#) [13688972](#) [13755420](#) [13779834](#) [13783086](#) [13843152](#) [13522378](#) [13581967](#) [13669624](#) [13675513](#) [13753471](#) [13946876](#) [13953457](#) [13955963](#) [13964573](#) [13971791](#) [13790534-L](#) [13797473](#) [13805590](#) [13888202](#) [1428188-1](#) [1437287-3](#) [1428188-2](#) [DS07-19S-5020](#)