

THIS DRAWING IS UNPUBLISHED.

RELEASED FOR PUBLICATION FEB,2019 -

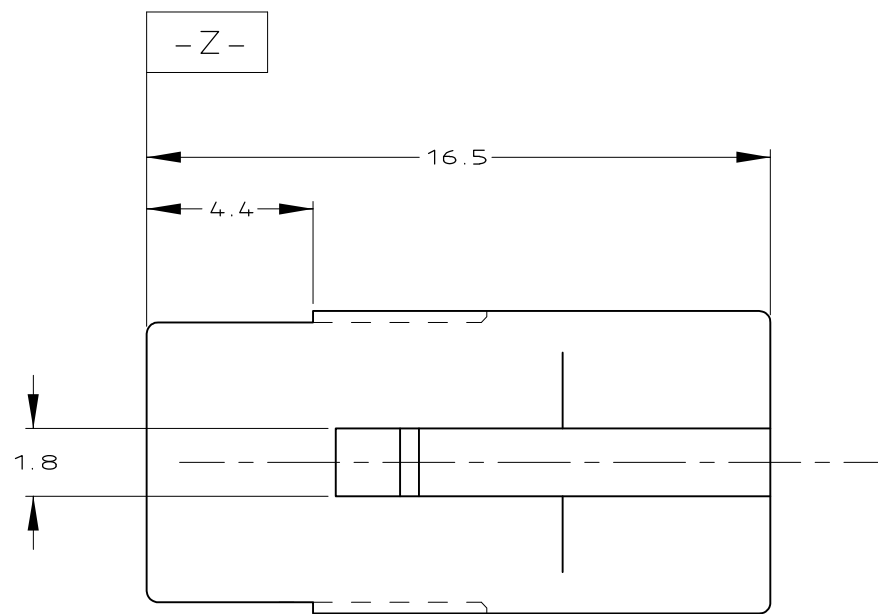
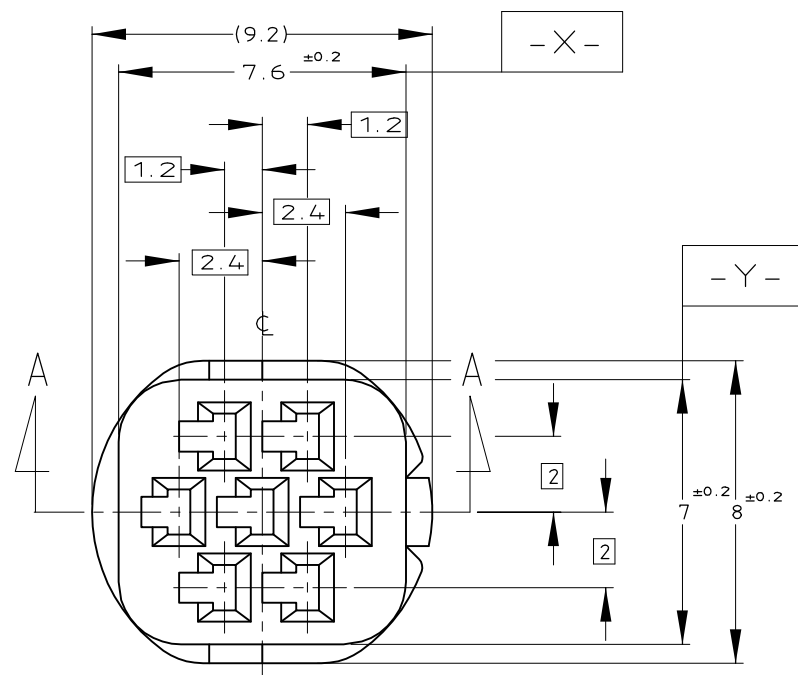
REVISIONS

変更

© COPYRIGHT 2019 By Tyco Electronics Japan G.K.

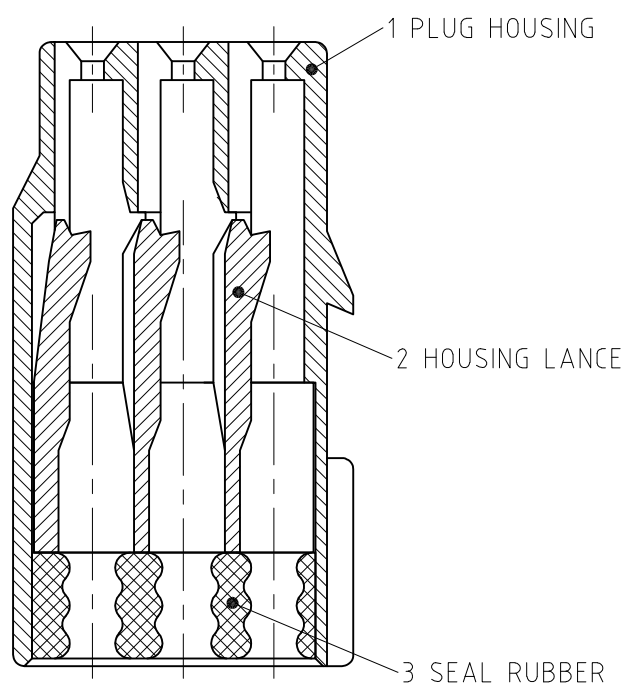
ALL RIGHTS RESERVED.

P	LTR	DESCRIPTION	DATE	DWN	APVD
	A3	REVISED ECR-19-006693	15AUG2019	DM	HK



1. 嵌合相手ハウジング型番 ; 2822344
2. 内装するリセコンタクト型番 ; 917308
3. 適用製品規格番号 ; 108-5426
4. 取扱説明書 ; 412-5653
5. シールラバーはフタル酸フリー品である。
6. 内装するキャビティプラグ型番 ; 316390-7

1. THE MATING CAP HSG P/N 2822344
2. APPLIED CONTACT P/N 917308
3. APPLICABLE PRODUCT SPEC No.108-5426
4. INSTRUCTION SHEET:412-5653
5. SEAL RUBBER IS NON-BIS TYPE
6. APPLIED CAVITY PLUG:316390-7



SECT. A-A

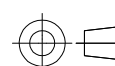
1	1	1	1	1	SEAL RUBBER (BLACK)	3
1	1	1	1	1	7POSITION HOUSING LANCE (GREEN)	2
1					7POSTION PLUG HOUSING (YELLOW)	1
	1				7POSTION PLUG HOUSING (GRAY)	1
		1			7POSTION PLUG HOUSING (BLACK)	1
			1		7POSITION PLUG HOUSING (NATURAL)	1
				1	7POSTION PLUG HOUSING (GREEN)	1
2822343-5	2822343-4	2822343-3	2822343-2	2822343-1	NAME & COLOR	ITEM NO.

TOLERANCE UNLESS OTHERWISE SPECIFIED:  
一般公差

0 < x ≤ 10	: ±0.2
10 < x ≤ 30	: ±0.25
30 < x ≤ 100	: ±0.3
ANGLE ; 角度	: ±0.3°

THIS DRAWING IS A CONTROLLED DOCUMENT.

DIMENSIONS: 単位: 耗 mm



MATERIAL 材料 PBT G

TOLERANCES UNLESS OTHERWISE SPECIFIED:  
一般公差

0 PLC	± -
1 PLC	± -
2 PLC	± -
3 PLC	± -
4 PLC	± -
ANGLES	± -

FINISH 仕上 SEE TABLE

DWN 09JUN2014 D.MATSUURA

CHK 09JUN2014 T.KOHNO

APVD 09JUN2014 T.KOHNO

PRODUCT SPEC 製品規格

SEE TABLE

APPLICATION SPEC 取付適用規格

WEIGHT 0.85g

CUSTOMER DRAWING



MINI MULTI LOCK CONNECTOR 7POS PLUG HSG ASSY

SIZE	CAGE CODE	DRAWING NO 番号	RESTRICTED TO
A3	00779	G-2822343	-

SCALE 尺度 5:1 SHEET 1 OF 1 REV A3

## X-ON Electronics

Largest Supplier of Electrical and Electronic Components

*Click to view similar products for [Automotive Connectors](#) category:*

*Click to view products by [TE Connectivity](#) manufacturer:*

Other Similar products are found below :

[003-018-000](#) [60403001](#) [60993906-B](#) [M902-2131](#) [M902-2161](#) [72.330.1035.1](#) [73.353.4028.0](#) [F119300-B](#) [F166900](#) [F258300-B](#) [F358300-B](#)  
[F407400](#) [F444110](#) [F487000](#) [F509500B-B](#) [827153-1](#) [8N1515-32-24P](#) [9-1326729-8](#) [925474-1](#) [928905-1](#) [964562-4](#) [968782-1](#) [GT17SA-8DS-](#)  
[HU](#) [98891-1012](#) [98947-1016](#) [12004147](#) [12004475-L](#) [12010290](#) [12010309-B](#) [12015454](#) [12020219-B](#) [12020308](#) [12041318-B](#) [12052225-L](#)  
[12052466](#) [12059125](#) [12064869](#) [12004327-B](#) [12010503-B](#) [12015308](#) [12015384](#) [12015909](#) [1-21030-1](#) [12041254](#) [12041318](#) [12047946-B](#)  
[12047957](#) [12047957-L](#) [12059473](#) [12066261](#)