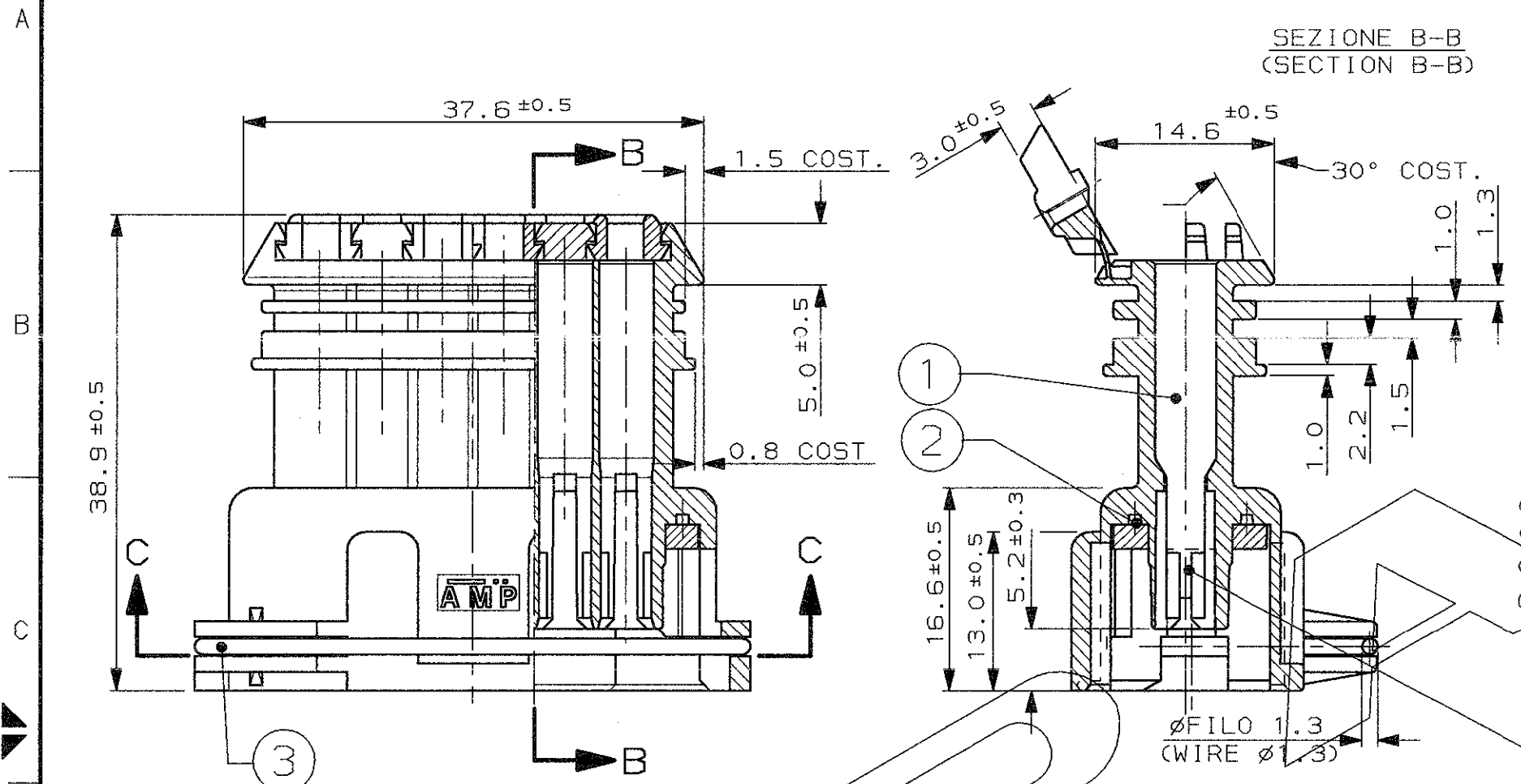
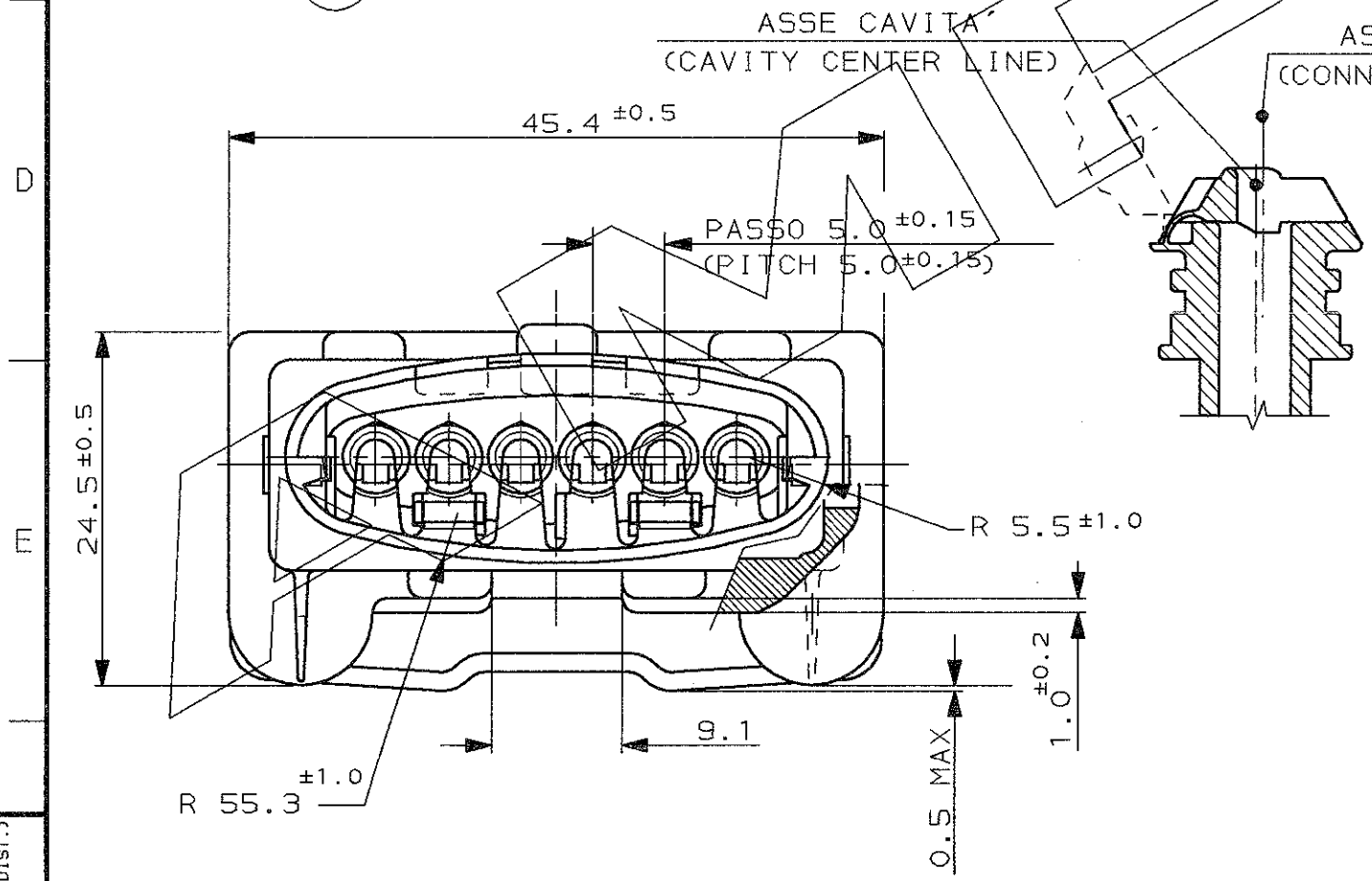


CONNETTORE TIPO A (CON MOLLA DI RITEGNO ESTERNA)
CONNECTOR TYPE A (WITH EXTERNAL SPRING)

SEZIONE C-C (SECTION C-C)

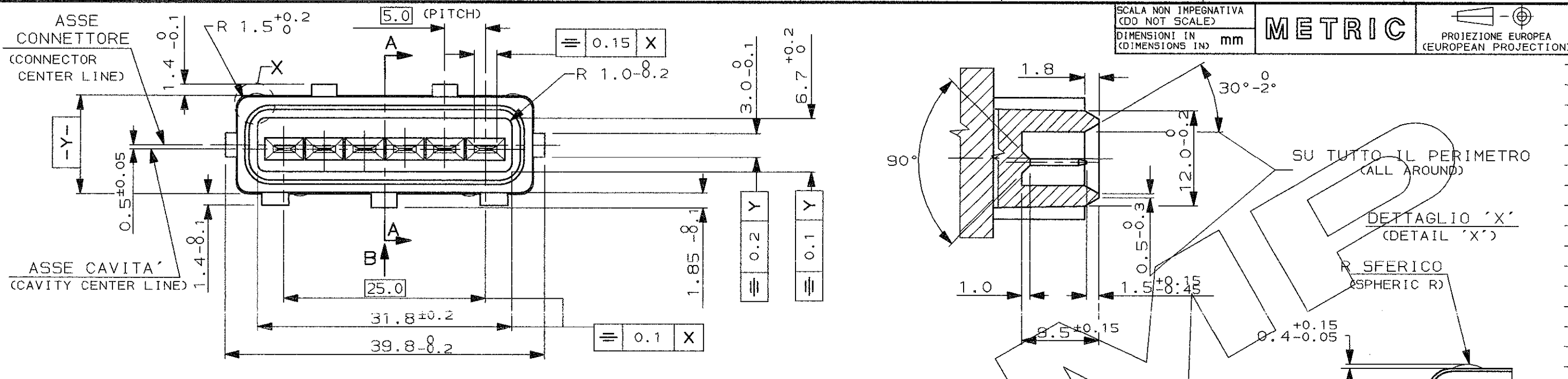


TIP. CAVITA' PER TERMINALI AMP JPT P/N 929939-...
OPPURE 929937-... E RELATIVI GOMMINI
AMP P/N 828904-1, 828905-1, 282536-1.
TAPPO CAVITA' P/N 828906-2
(TYP. CAV. FOR JPT CONT. P/N 929939-... A/O 929937-... AND REL.
SINGLE WIRE SEAL P/N 828904-1, 828905-1, 282536-1
CAVITY PLUG P/N 828906-2)

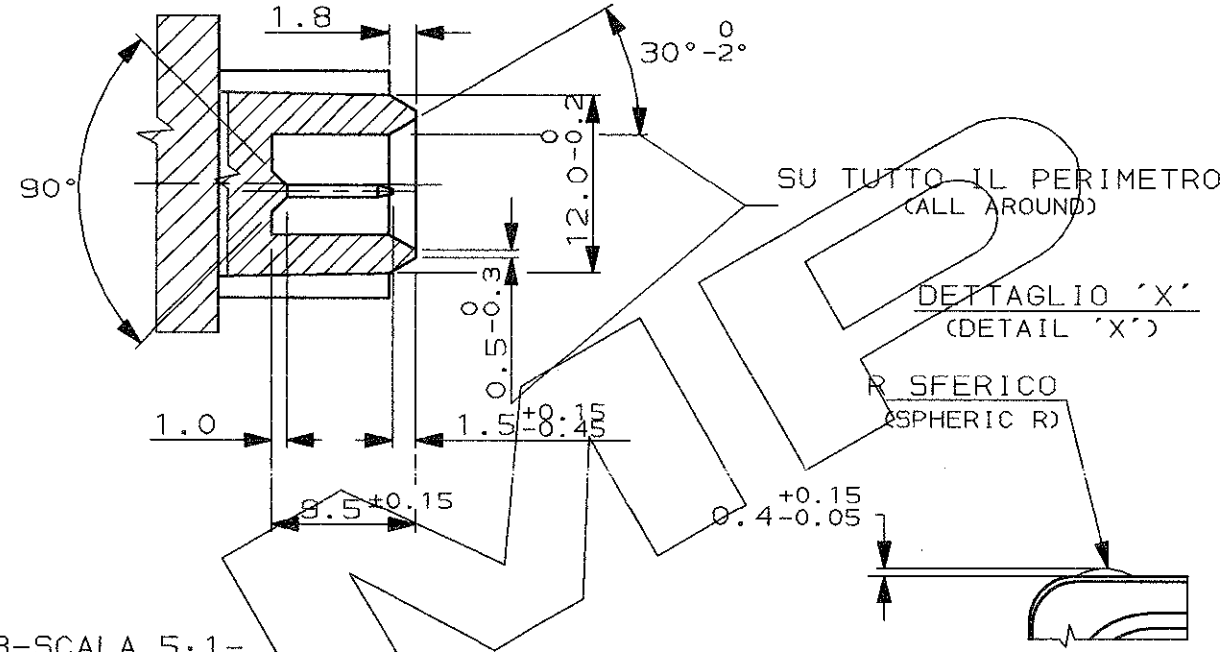


M	NATURALE (NATURAL)	282236-2	3	//////	ACCIAIO INOX (STAINLESS STEEL)	MOLLA (SPRING)
OBSOLETE	C	NERO (BLACK)	282236-1	2	VED. TABELLA (SEE TABLE)	GOMMA (RUBBER)
		COLORE GUARNIZIONE (SEALING COLOUR)	P/N ASSEM. ASS'Y P/N	1	NERO (BLACK)	PA 6.6 C.VETRO (PA 6.6 G.F.)
REV.				N° (ITEM)	FINITURA / COLORE (FINISH / COLOUR)	MATERIALE (MATERIAL)
M1	OBSOLETE -1 CON ET00-0069-02			CUSTOMER DWG. FOR REFERENCE ONLY		
M	AGGIORN. CON ET00-0222-01			DISEGNO PER CLIENTE SOLO PER RIFERIMENTO		
L1	AGGIUN. -2 CON ET00-0249-00			THIS DRAWING IS UNPUBLISHED		
L	AGGIORN. CON ET00-0221-96			RELEASE FOR PUBLICATION 19		
B	AGGIORN. CON ET00-0108-95			© COPYRIGHT 19 BY AMP INCORPORATED, HARRISBURG, PA. ALL INTERNATIONAL RIGHT RESERVED. AMP PRODUCTS MAY BE COVERED BY U.S. AND FOREIGN PATENT AND/OR PATENT PENDING		
A	PRIMA EMISSIONE (GIÀ IN PRODUZIONE)			TOLLERANZE, SE NON DIVERSAMENTE SPECIFICATO (TOLERANCES, UNLESS OTHERWISE SPECIFIED)		
REV.	REVISIONI (REVISION RECORD)			DIAM. ISOLANTE (INS. DIA. RANGE)		
				RANGO FILO (WIRE RANGE)		
				SCALA (SCALE)		
				1.5-3.0mm REDUCED INS. CABLE		
				0.5-2.5mm²		
				2:1		
				AMP		
				AMP ITALIA S.p.A.		
				Corso F.lli Carvi, 15		
				COLLEGNO (TORINO)		
				DESCRIZIONE (DESCRIPTION)		
				6 WAY SPLASH PROOF CONN. ASSY with SECONDARY LOCK		
				LOC.	SIZE	NUMERO (DWG NO)
				I	A3	C-282236
				REV.		FOGLIO (SHEET)
				M1		1
						DI (OF)
						2

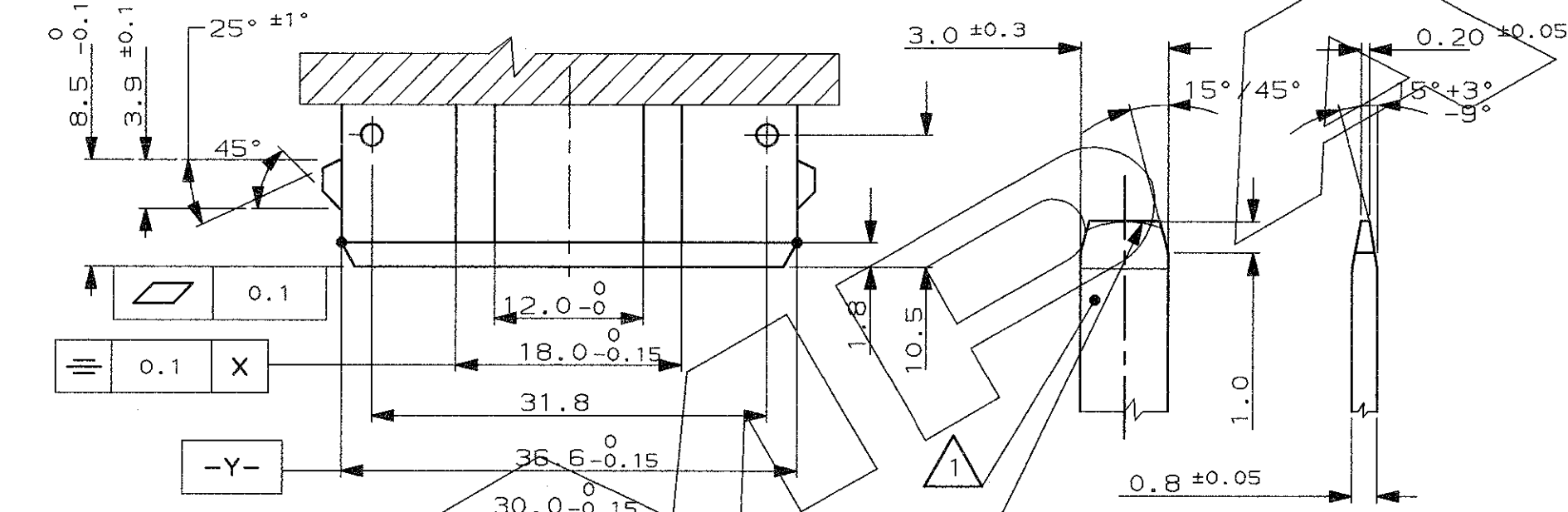
DISTRIBUZIONE (PRINT DIST.)



SCALA NON IMPEGNATIVA (DO NOT SCALE)
 DIMENSIONI IN (DIMENSIONS IN) mm
METRIC
 PROIEZIONE EUROPEA (EUROPEAN PROJECTION)



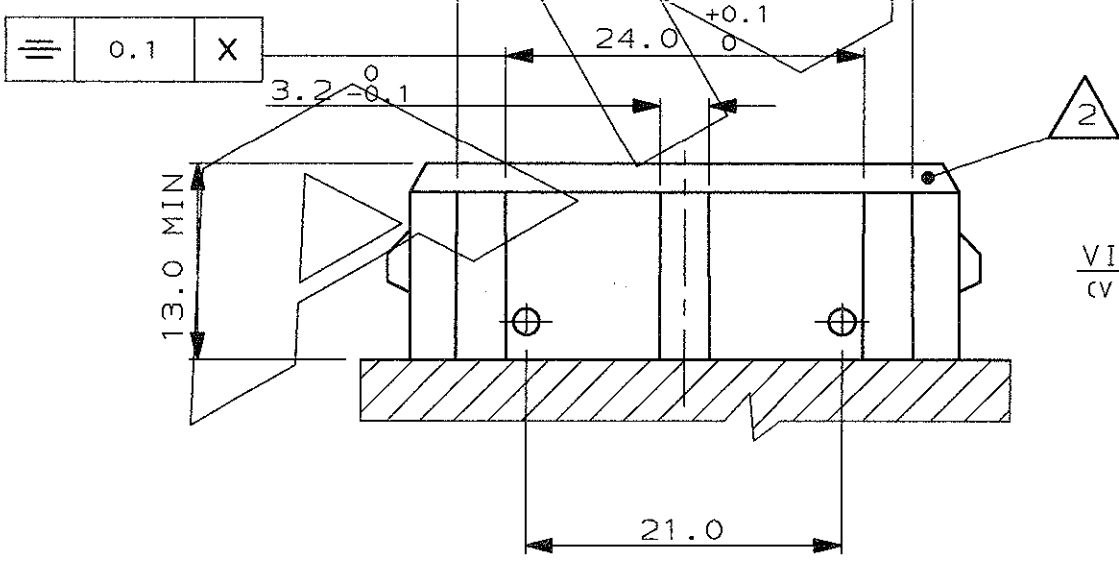
DETT. LINGUETTA TAB-SCALA 5:1- (TAB DETAIL)



1 MATERIALE LINGUETTE: LEGA DI RAME STAGNATA, ES. OTTONE STAGNATO.
 (TAB CONTACT MATERIAL: TIN PLATED COPPER ALLOY, E.G. BRASS TIN PLATED)

2 MATERIALE BLOCCHETTO: TERMOPLASTICO CARICATO FIBRA VETRO.
 (HOUSING MATERIAL: THERMOPLASTIC, GLASS FIBER FILLED)

FORMA ALTERNATIVA PERMESSA CON RAGGIO (ALLOWED ALTERNATIVE PROFILE WITH RADIUS)



VISTA DA "B" (VIEW FROM "B")

REV.	REVISIONI (REVISION RECORD)	DIS. (DR)	DATA (DATE)

FINITURA / COLORE (FINISH / COLOUR)	MATERIALE (MATERIAL)	NUMERO (PART NUMBER)
-------------------------------------	----------------------	----------------------

CUSTOMER DWG. FOR REFERENCE ONLY DISEGNO PER CLIENTE SOLO PER RIFERIMENTO

THIS DRAWING IS UNPUBLISHED - RELEASE FOR PUBLICATION 19
 © COPYRIGHT 19 BY AMP INCORPORATED, HARRISBURG, PA. ALL INTERNATIONAL RIGHT RESERVED. AMP PRODUCTS MAY BE COVERED BY U.S. AND FOREIGN PATENT AND/OR PATENT PENDING

TOLLERANZE, SE NON DIVERSAMENTE SPECIFICATO (TOLERANCES, UNLESS OTHERWISE SPECIFIED)	DIAM. ISOLANTE (INS. DIA. RANGE)	RANGO FILO (WIRE RANGE)	SCALA (SCALE)
± 0.3	---	---	---

ANGOLI (ANGLES) ± 2°

DIS. (DR.)
 CONT. (CHK)
 DESCRIZIONE (DESCRIPTION)
 6 POS. SPLASH PROOF CONN. ASS'Y with SECONDARY LOCK

LOC.	SIZE	NUMERO (DWG NO)	REV.	FOGLIO (SHEET)
I	A3	C-282236	M1	2 OF 2

DISTRIBUZIONE (PRINT DIST.)

X-ON Electronics

Largest Supplier of Electrical and Electronic Components

Click to view similar products for [Automotive Connectors](#) category:

Click to view products by [TE Connectivity](#) manufacturer:

Other Similar products are found below :

[003-018-000](#) [600858](#) [60403001](#) [60993906-B](#) [60993913-B](#) [629515004020001](#) [M83723/71R1808N L/C](#) [M902-2131](#) [M902-2161](#) [M902-2344](#)
[72.330.1035.1](#) [73.353.4028.0](#) [F118010](#) [F119300-B](#) [F132210](#) [F166900](#) [F180100](#) [F258300](#) [F258300-B](#) [F294300-B](#) [F339100](#) [F339700](#)
[F358300-B](#) [F374110](#) [F407400](#) [F412210](#) [F444110](#) [F487000](#) [F495100](#) [F500900-B](#) [F509500B-B](#) [770444-1](#) [827153-1](#) [881735-1](#)
[8N1515-32-24P](#) [9-1326729-8](#) [925467-1](#) [925474-1](#) [928905-1](#) [936398-2](#) [964562-4](#) [964731-2](#) [968782-1](#) [GT17SA-8DS-HU](#) [GT17VS-10DP-](#)
[5.2CF](#) [98315-0001](#) [98315-0010](#) [98891-1012](#) [98895-2014](#) [98936-1039](#)