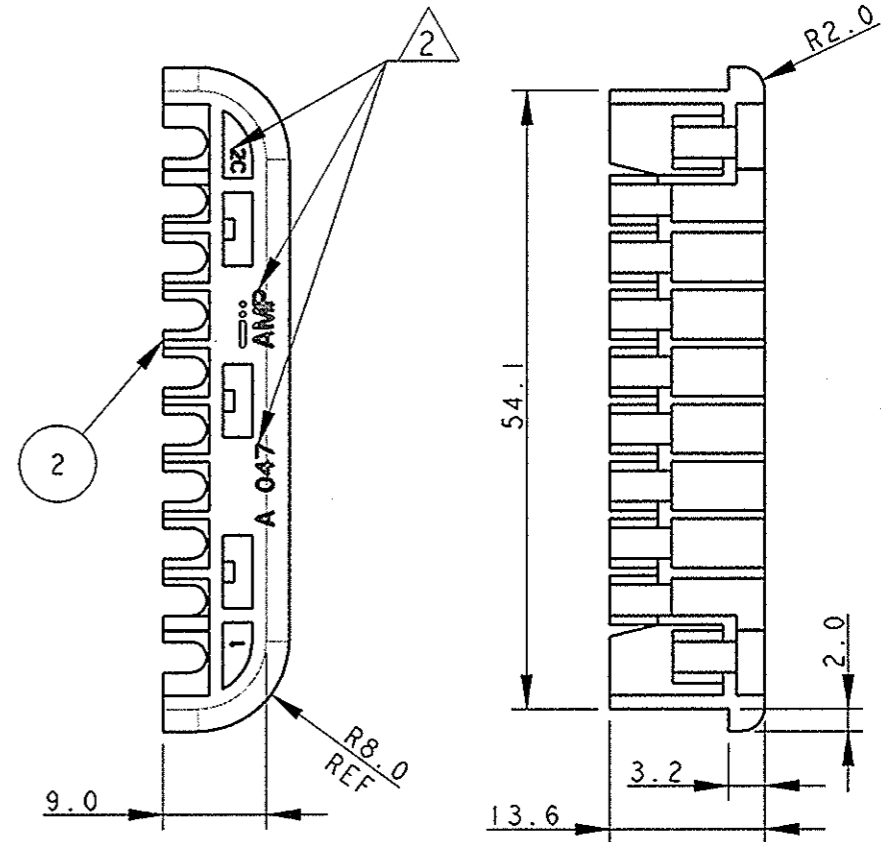
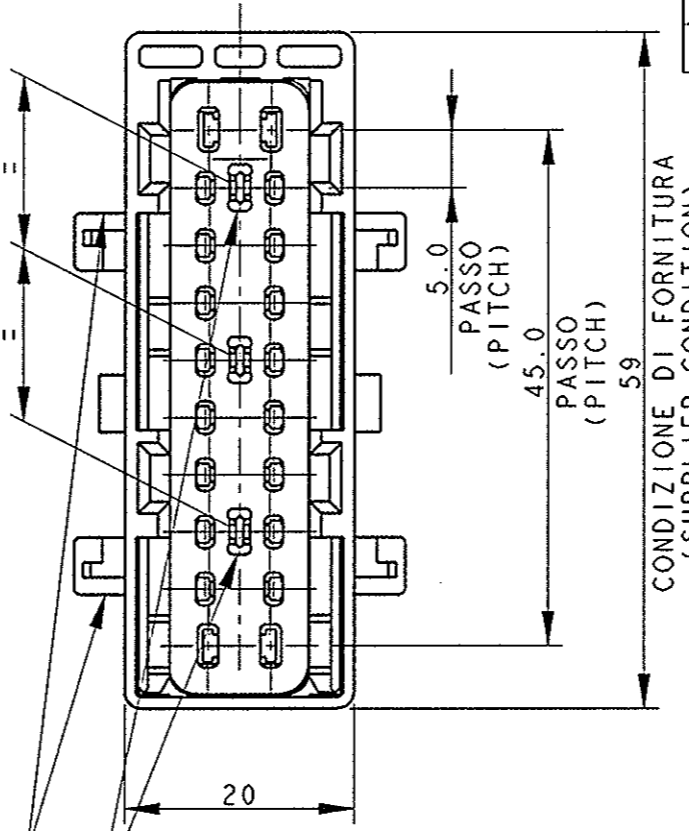
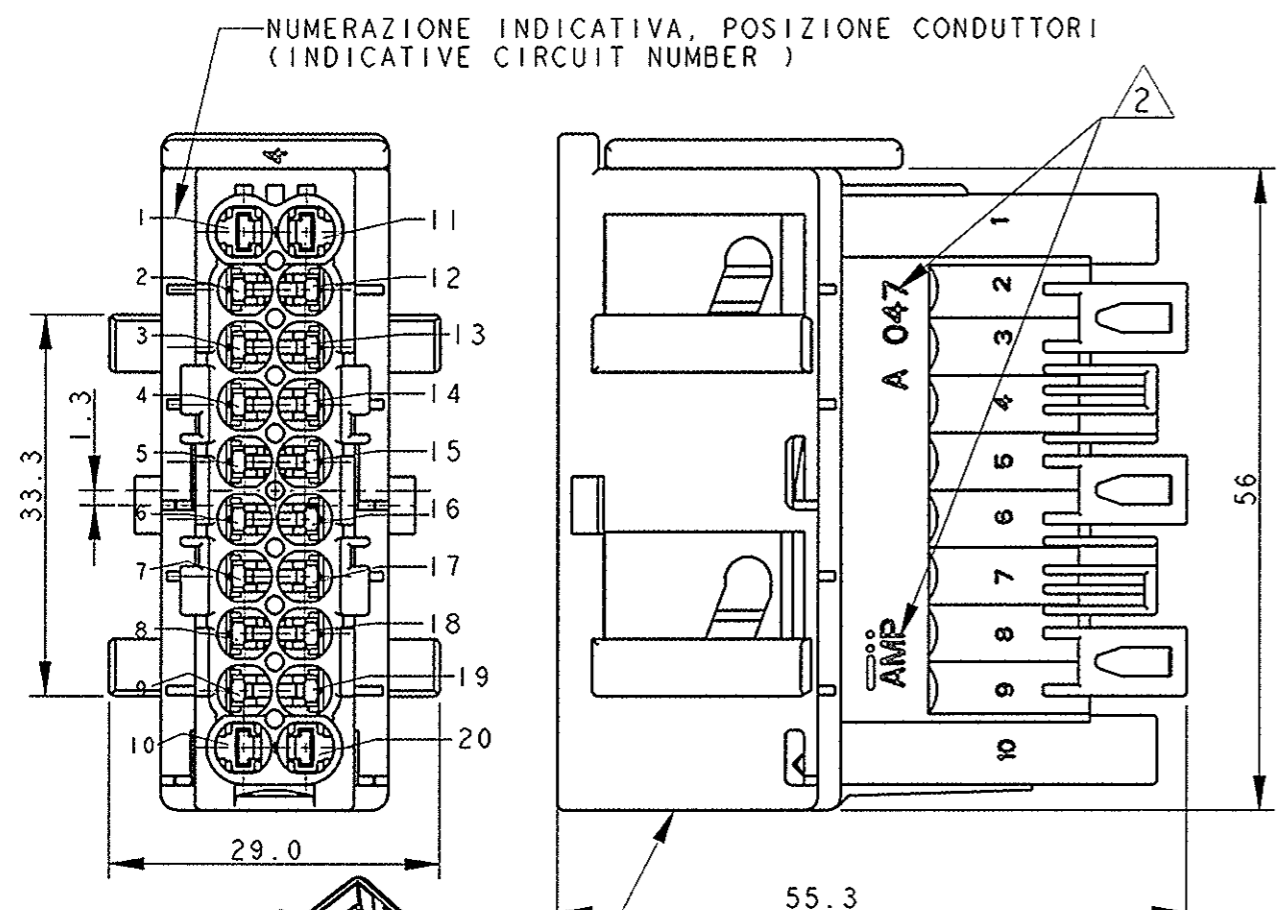
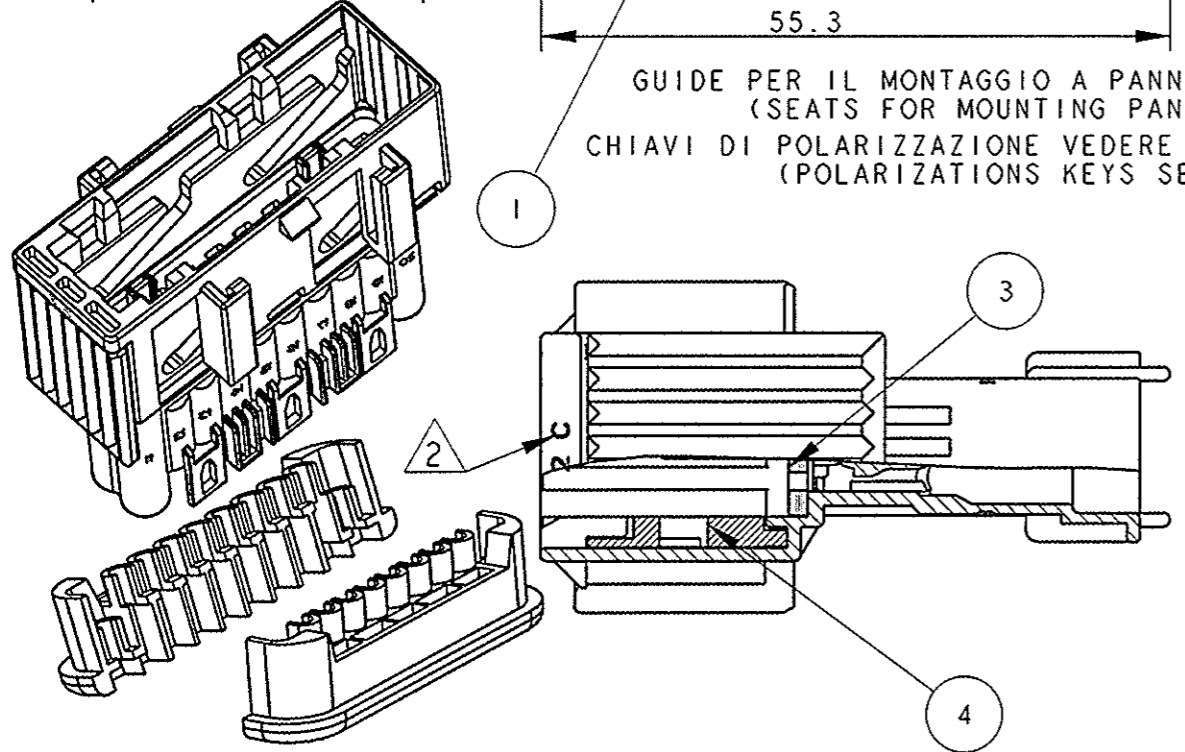


LOC	DIST	REVISIONS					
A1	-	P	LTR	DESCRIPTION	DATE	DWH	APVD
		G		ECR-06-001266	17JAN2006	M.P.	



GUIDE PER IL MONTAGGIO A PANNELLO
 (SEATS FOR MOUNTING PANNEL)
 CHIAVI DI POLARIZZAZIONE VEDERE TABELLA
 (POLARIZATIONS KEYS SEE DWG.)



			Q. TY	ITEM	COLORE (COLOUR)	MATERIALE (MATERIAL)	REV.	NUMERO PART NUMBER
		SLIDE	1	4	BLACK	PA 66 30% C.V.		//
		SEALING	1	3	RED	SILICON RUBBER		//
		SECONDARY LOCK	2	2	BLACK	PBT 15% C.V.		//
SI, ENTRAMBI I LATI (BOTH SIDES)	2-12 8-18	MALE HSG.	1	1	BLACK	PA 66-30% C.V.	G	282278-4
SI, ENTRAMBI I LATI (BOTH SIDES)	2-12 8-18	MALE HSG.	1	1	GREEN	PA 66-30% C.V.	G	282278-3 ³
NO	2-12 8-18	MALE HSG.	1	1	BLUE	PA 66-30% C.V.	G	282278-2
SI, ENTRAMBI I LATI (BOTH SIDES)	3-13 9-19	MALE HSG.	1	1	GREY	PA 66-30% C.V.	G	282278-1
GUIDE MONT. A PANNELL. (SEATS FOR MOUNT. PANNEL.)	POSIZ. POLARIZ. POLARYTY POS	COMPONENTE (COMPONENT)						

1) LE POSIZIONI 1, 10, 11 E 20 SONO ATTRIBUITE AI CONTATTI DI POTENZA P/N 2-962916-1. LE RESTANTI SONO ATTRIBUITE AI CONTATTI DI SEGNALE P/N 282288-1 E 282289-1.
 (POS. ARE SUITABLE FOR CONTACT P/N 2-962916-1, ALL OTHER CAVITIES ARE SUITABLE FOR CONTACTS P/N P/N 282288-1 E 282289-1).

² MARCHI DI FABBRICA, CODICE FORNITORE E DATARIO (TRADE MARCK, SUPPLIER CODE AND DATE CODE).

³ 282278-3 SUPERATO DA 282278-4 (282278-3 SUPERSEDED BY 282278-4).

THIS DRAWING IS A CONTROLLED DOCUMENT FOR TYCO ELECTRONICS CORPORATION IT IS SUBJECT TO CHANGE AND THE CONTROLLING ENGINEERING ORGANIZATION SHOULD BE CONTACTED FOR THE LATEST REVISION.

DWN M. PALMA 06 JUN 2005
 CHK O. CANUTO 06 JUN 2005
 APVD A. GENTA 06 JUN 2005

tyco Electronics tyco Electronics AMP Italia S.p.A. C.so F.lli Cervi 15, Collegno (TO)

NAME 20 PO. SEALED SECTIONING MALE CONNECTOR KIT

PRODUCT SPEC 108-20117
 APPLICATION SPEC -
 WEIGHT -

SIZE A3 CAGE CODE - DRAWING NO C-282278 RESTRICTED TO -

MATERIAL - FINISH -

CUSTOMER DRAWING SCALE - SHEET 1 OF 1 REV G

X-ON Electronics

Largest Supplier of Electrical and Electronic Components

Click to view similar products for [Automotive Connectors](#) category:

Click to view products by [TE Connectivity](#) manufacturer:

Other Similar products are found below :

[003-018-000](#) [60993906-B](#) [M902-2131](#) [M902-2161](#) [M902-2344](#) [72.330.1035.1](#) [73.353.4028.0](#) [F166900](#) [F358300-B](#) [F407400](#) [776880-1](#)
[827153-1](#) [8N1515-32-24P](#) [9-1326729-8](#) [925474-1](#) [928905-1](#) [964562-4](#) [968782-1](#) [98891-1012](#) [12004475-L](#) [12020308](#) [12041318-B](#)
[12052466](#) [12064869](#) [12015909](#) [1-21030-1](#) [12041254](#) [12041318](#) [12047946-B](#) [12110546-B](#) [12131792](#) [12084688](#) [12092346](#) [HD34-18-14PT](#)
[HD46-24-23SN-059](#) [HDB36-24-16PN-059](#) [HDP26-24-9SE-L015](#) [12185280](#) [12185550](#) [12336-12](#) [12191172-B](#) [12S](#) [13545280](#) [13577943](#)
[13681974](#) [13737722-B](#) [13830674](#) [13832576](#) [13849772](#) [13542772](#)