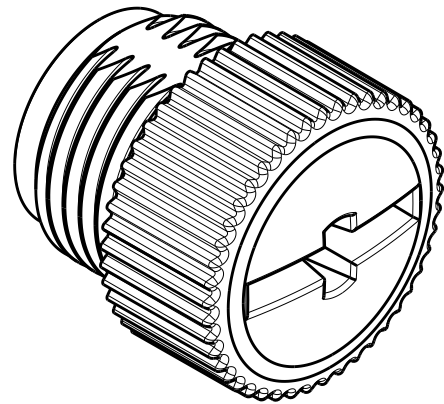
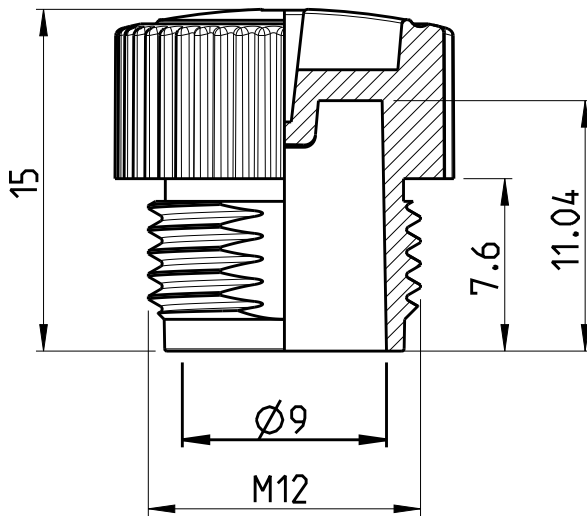


REVISIONS

P	LTR	DESCRIPTION	DATE	DWN	APVD
	A	NEW RELEASE	19NOV2014	TJ	PS



AS SHOWN 2823064-1

NOTES:

1. PROTECTION: IP 67
2. ALL DIMENSIONS FOR REFERENCE ONLY UNLESS OTHERWISE TOLERANCES SPECIFIED.

20


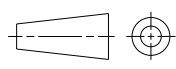
RELEASED FOR PUBLICATION

ALL RIGHTS RESERVED.

BY -

© COPYRIGHT 20

THIS DRAWING IS UNPUBLISHED.

DIMENSIONS: mm		DWN CHIRASHREE 15OCT2014	MATERIAL PA66	FINISH -
TOLERANCES UNLESS OTHERWISE SPECIFIED:		CHK M THAJUDEEN 05NOV2014	 TE Connectivity	
0 PLC ±		APVD PRASHANTH 05NOV2014		
1 PLC ±		PRODUCT SPEC	NAME PROTECTIVE CAP FOR M12X1 FEMALE SOCKET	
2 PLC ±		APPLICATION SPEC	SIZE A 4	RESTRICTED TO -
3 PLC ±			CAGE CODE -	DRAWING NO C-2823064
4 PLC ±			WEIGHT -	
ANGLES ±			Customer Drawing	
		SCALE 3:1		SHEET 1 OF 1
				REV A

## X-ON Electronics

Largest Supplier of Electrical and Electronic Components

*Click to view similar products for [Circular Metric Connectors](#) category:*

*Click to view products by [TE Connectivity](#) manufacturer:*

Other Similar products are found below :

[600X518037X](#) [6STD15PCR99B70A](#) [8R4000A16M020](#) [8R5000A16M005](#) [1200910002](#) [1203580030](#) [1200910008](#) [1200910011](#) [1300140094](#)  
[130203-0054](#) [1300140026](#) [1300150099](#) [RF-12S1N8A90DU](#) [1-3637-600-5205](#) [1612618](#) [21036836414](#) [8R4006A16M010](#) [8R5006A18A120](#)  
[1604232](#) [1R3006A20M005](#) [RF-12P1N8A80DU](#) [RF-12P1N8A90DU](#) [41-40011](#) [42-01015](#) [4-22279-4](#) [4-22281-1](#) [4-22284-9](#) [43-00113](#) [43-](#)  
[01088](#) [43-01203](#) [41-40013](#) [42-00008](#) [43-00343](#) [43-01032](#) [43-01162](#) [43-10000](#) [600X518050X](#) [SACC-DSI-FS-5P-PG9-L180 SC](#)  
[8R5006A16M020](#) [8R5006A16M005](#) [8R4000A16M010](#) [6-22279-3](#) [1605332](#) [N03FA03144](#) [1300140077](#) [43-01338](#) [XS2RD4265](#) [RSC 4/9](#)  
[XS2R-D426-1](#) [XS8A-0441](#)