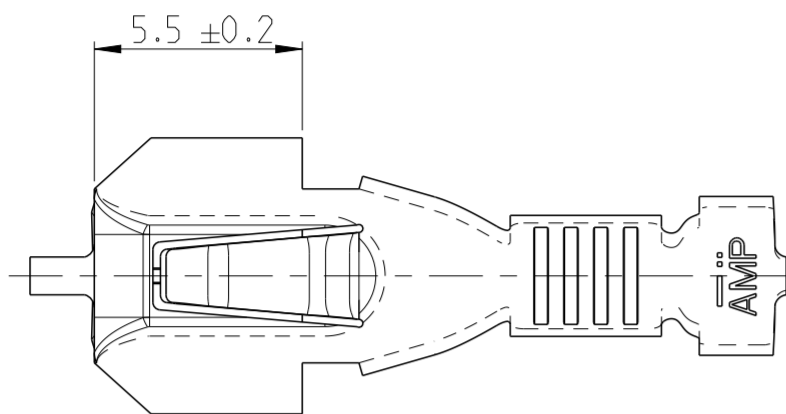
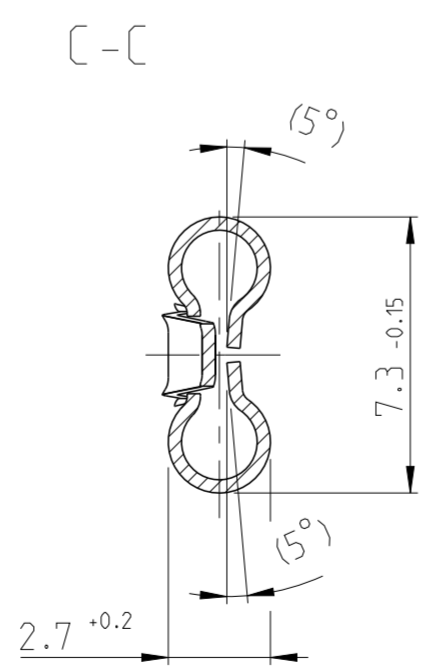
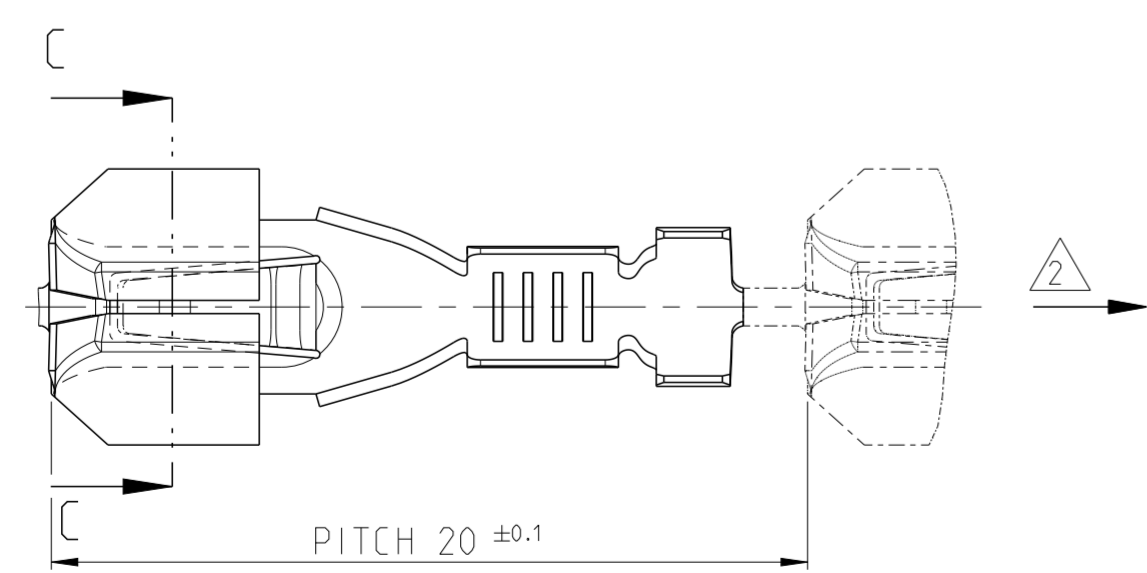
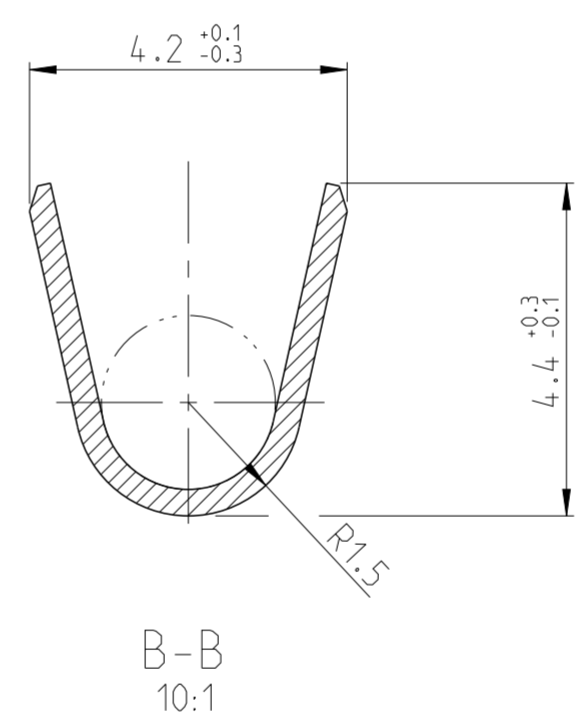
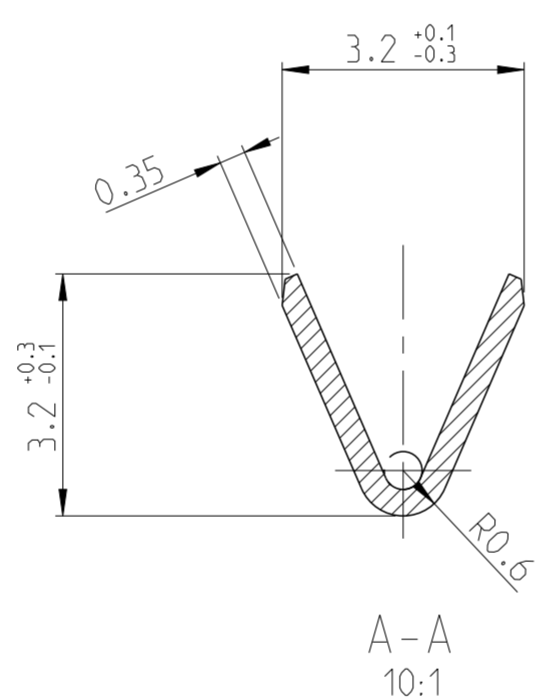
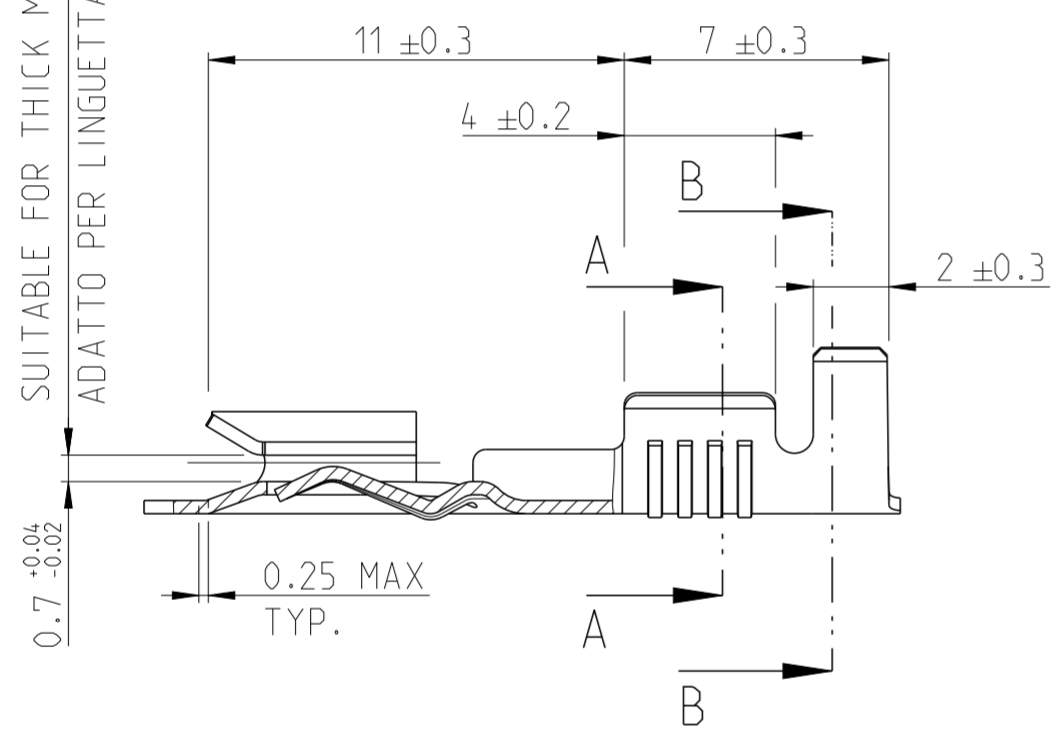


THIS DRAWING IS UNPUBLISHED. RELEASED FOR PUBLICATION 20
 © COPYRIGHT 20 BY - ALL RIGHTS RESERVED.

REVISIONS				
P	LTR	DESCRIPTION	DATE	APVD
B		ECR-15-006775	30MAR2017	M.G.
B1		REDRAWN TO CREO	02MAY2017	GH



SUITABLE FOR THICK MALE TAB. 0.8
 ADATTO PER LINGUETTA MASCHIO SPES. 0.8



- 1 SUPPLY STATUS: END TAPE WRAPPED UP IN CARDBOARD COIL (COIL ØEST. 260X160 LARG.)
 STATO DI FORNITURA: TERMINALI IN NASTRO AVVOLTO SU BOBINA DI CARTONE (BOBINA ØEST. 260X160 LARG.)
- 2 DIRECTION OF OUTPUT COIL SENSO DI USCITA DELLA BOBINA

(WIRE) SWZ.FILO mm ²	(INS. DIA. REDUCED) Ø IS. RID. FASE 3
0.50	1.5-1.7
0.75	1.7-1.9
1.0	1.9-2.1
1.5	2.2-2.4

(WIRE) SWZ.FILO mm ²	(INS. DIA. STD) Ø ISOL. STD	(INS. DIA. REDUCED) Ø IS. RID. FASE 3
0.50	2.0-2.2	---
0.75	-	---
1.0	2.4-2.6	1.9-2.1
1.5	3.15-3.35	---

PRE-TINNED	PHOSPHOR BRONZE	0.5-1.5 (is. std.)	282308-1
FINISH / COLOUR	MATERAIL	WIRE RANGE (mm ²)	TE PART NUMBER

THIS DRAWING IS A CONTROLLED DOCUMENT. DWN C. IANNARELLI 16APR1992

DIMENSIONS: mm	TOLERANCES UNLESS OTHERWISE SPECIFIED:	APVD -	NAME
0 PLC ±	1 PLC ±0.3	PRODUCT SPEC	RECEPTACLE CONTACT FOR 5mm PITCH CONNECTOR. (STRIP FORM)
2 PLC ±	3 PLC ±	APPLICATION SPEC	
4 PLC ±	ANGLES ±2°	114-20058	SIZE CAGE CODE DRAWING NO RESTRICTED TO
MATERIAL -	FINISH -	WEIGHT -	A2 00779 C-282308 -
		CUSTOMER DRAWING	SCALE 5:1 SHEET 1 OF 1 REV B1

X-ON Electronics

Largest Supplier of Electrical and Electronic Components

Click to view similar products for [Automotive Connectors](#) category:

Click to view products by [TE Connectivity](#) manufacturer:

Other Similar products are found below :

[003-018-000](#) [60403001](#) [60993906-B](#) [M902-2131](#) [M902-2161](#) [M902-2344](#) [72.330.1035.1](#) [73.353.4028.0](#) [F119300-B](#) [F166900](#) [F258300-B](#)
[F358300-B](#) [F407400](#) [F444110](#) [F487000](#) [F509500B-B](#) [827153-1](#) [8N1515-32-24P](#) [9-1326729-8](#) [925474-1](#) [928905-1](#) [964562-4](#) [968782-1](#)
[GT17SA-8DS-HU](#) [98891-1012](#) [98947-1016](#) [12004147](#) [12004475-L](#) [12010290](#) [12015454](#) [12020219-B](#) [12041318-B](#) [12052225-L](#) [12052466](#)
[12064869](#) [12004327-B](#) [12015308](#) [12015384](#) [12015909](#) [1-21030-1](#) [12041254](#) [12041318](#) [12047946-B](#) [12047957](#) [12047957-L](#) [12059473](#)
[12066261](#) [12110546](#) [12110546-B](#) [12131792](#)