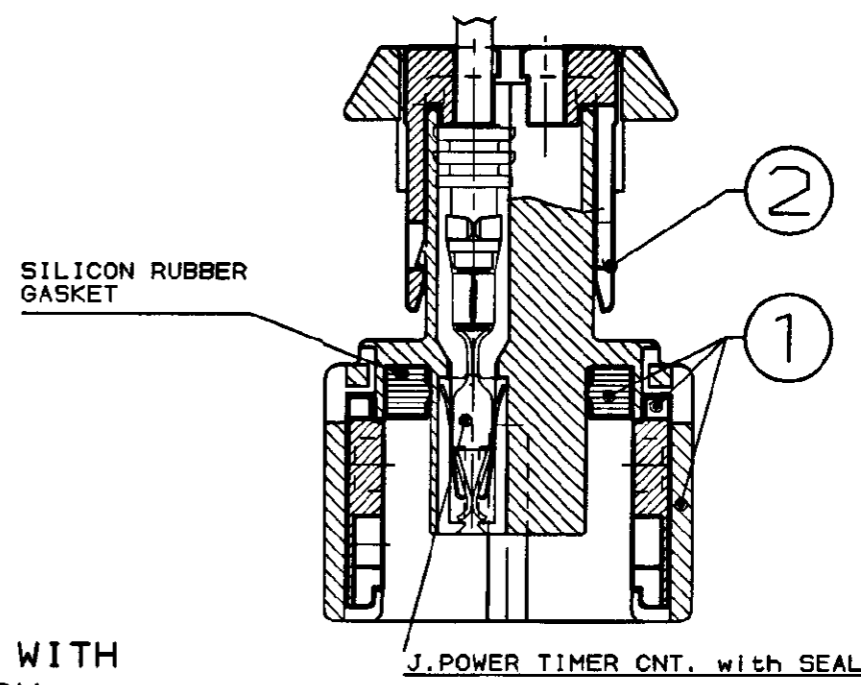
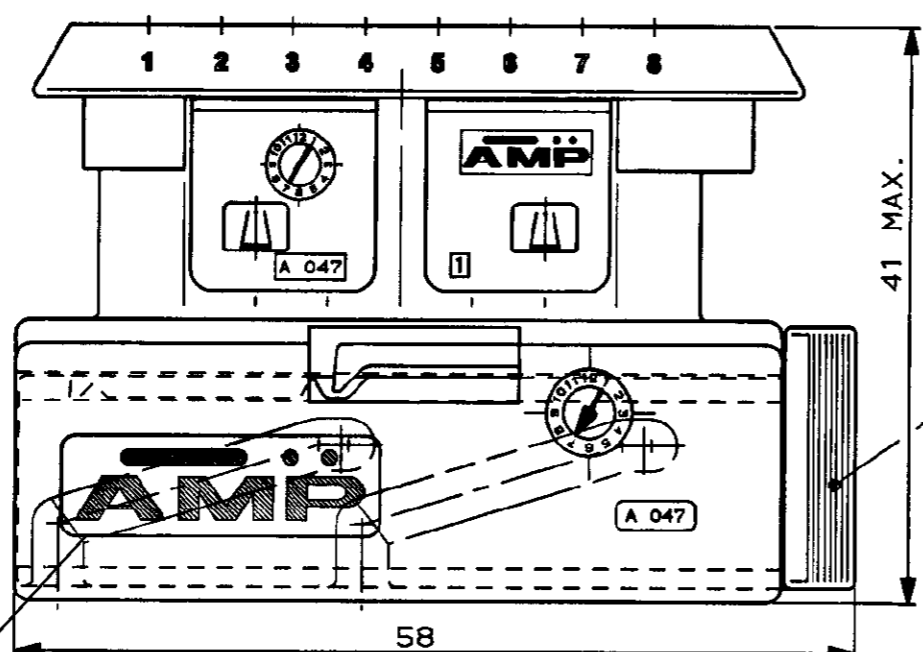
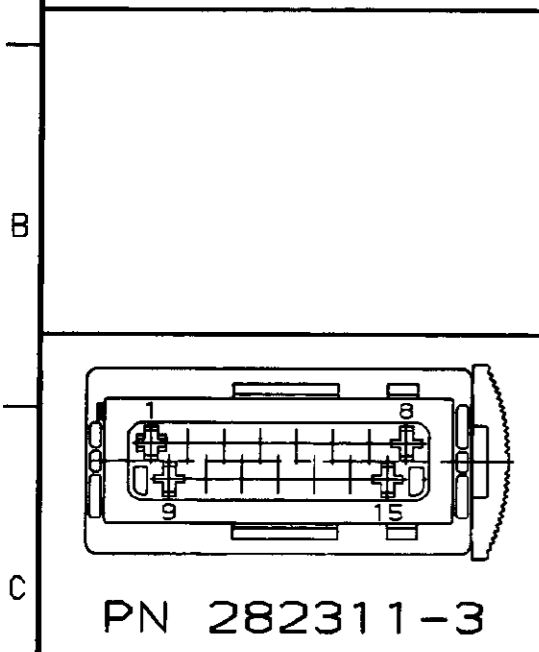
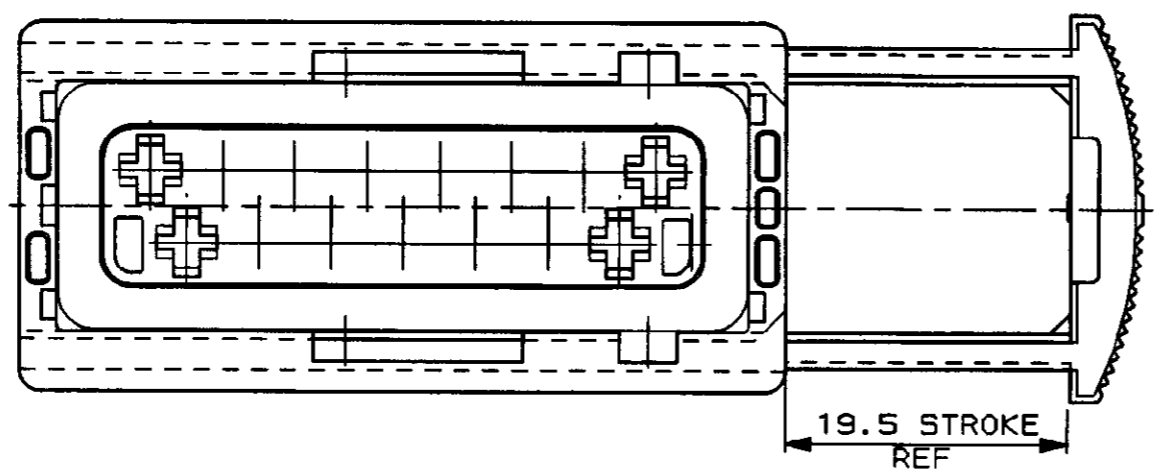
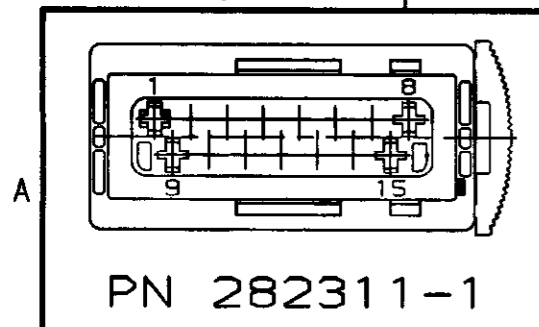


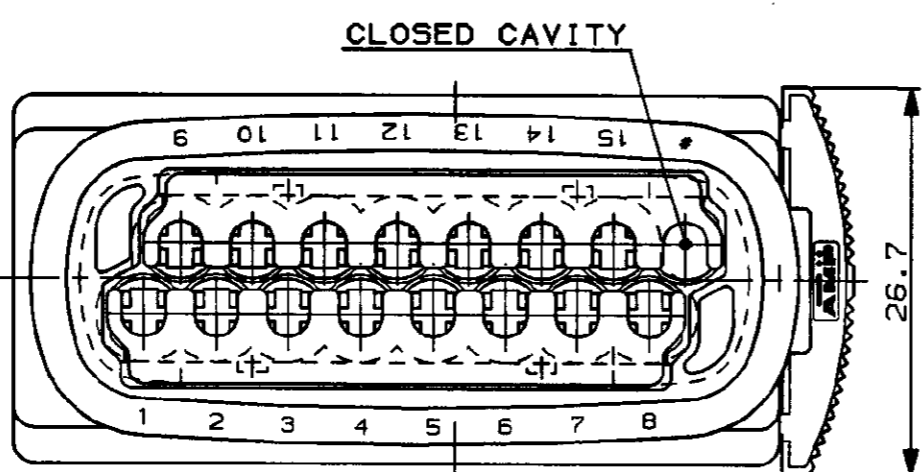
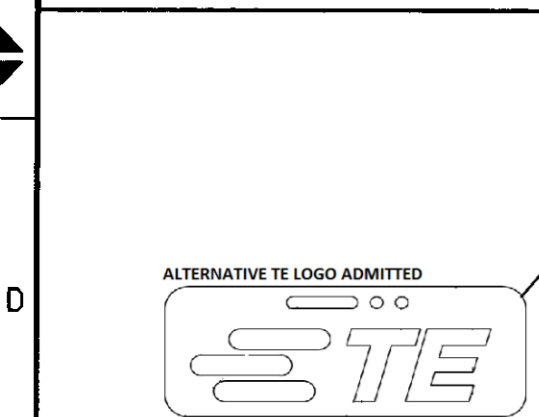
SCALA NON IMPEGNATIVA
(DO NOT SCALE)
DIMENSIONI IN mm
DIMENSIONS IN

METRIC

PROIEZIONE EUROPEA
(EUROPEAN PROJECTION)



SUPPLIED WITH "SLIDE" ON CLOSED POSITION.



2x	2x	2	SEC. LOCK RED	PA 6.6 10-15% G.F.	282315-1
1x	=	1	HOUSING ASS'Y GREY	PA 6.6 10-15% G.F.	282313-3
=	1x	1	HOUSING ASS'Y BLACK	PA 6.6 10-15% G.F.	282313-1
282311-3		282311-1	POS. DESCRIZIONE COLORE DESCRIZIONE COLOUR	MATERIALE (MATERIAL)	NUMERO (PART NUMBER)

CUSTOMER DWG. FOR REFERENCE ONLY
DISEGNO PER CLIENTE SOLO PER RIFERIMENTO

THIS DRAWING IS UNPUBLISHED
© COPYRIGHT 19 BY AMP INC.
RESERVED. AMP PRODUCTS MAY BE COVERED BY U.S. AND FOREIGN PATENT AND/OR PATENT PENDING
TOLLERANZE, SE NON DIVERSAMENTE SPECIFICATO
DIAH. ISOLANTE (INS. DIA. RANGE)
RANGO FILO (WIRE RANGE)
SCALA (SCALE)
± 0.3
± 2°
2:1

RESTRICTED
THE DESIGN CONFIGURATION OF THIS PRODUCT IS RESTRICTED BEFORE USE CONTACT THE CHIEF ENGINEER OF AMP ITALIA. THE TECHNOLOGY IS FREE FOR AMP USE.

UNPUBLISHED COPY
THIS INFORMATION IS CONFIDENTIAL AND IS DISCLOSED TO YOU ON CONDITION THAT NO FURTHER DISCLOSURE IS MADE BY YOU TO OTHER THAN AMP PERSONNEL WITHOUT A WRITTEN AUTHORIZATION FROM AMP ITALIA SPA.

A2	ALTERNATIVE TE LOGO ADDED	A.B.	06/09/2014
A1	MODIFIED per ET0440-96	D.B.	01/11/1993
A	RELEASED per ET0091-96	D.B.	18/03/1993
3	REVISED	E.CINI	15 FEB. 1993 (DR.)
2	REVISED	E.C.	CONT. (CHK) C. TARTARI
1	REDRAWN WAS 91-51018	E.C.	2.4.1993
REV.	REVISIONT (REVISION RECORD)	DIS. DATA (DR)	APP. (APP.)

AMP AMP ITALIA S.p.A.
Corso F.lli Cervi, 15
COLLENO (TORINO)
DESCRIZIONE (DESCRIPTION) 15 POS. J.P.T. CNT. SEALED FEMALE CONN.
LOC. SIZE NUMERO (DWS NO) REV. FOLIO (SHEET)
I A3 C-282311 A2 1 DI (COP) 2

DISTRIBUZIONE (PRINT DIST.)

X-ON Electronics

Largest Supplier of Electrical and Electronic Components

Click to view similar products for [Automotive Connectors](#) category:

Click to view products by [TE Connectivity](#) manufacturer:

Other Similar products are found below :

[003-018-000](#) [600858](#) [60403001](#) [60993906-B](#) [60993913-B](#) [629515004020001](#) [M902-2131](#) [M902-2161](#) [M902-2344](#) [72.330.1035.1](#)
[73.353.4028.0](#) [F118010](#) [F119300-B](#) [F132210](#) [F132210-B](#) [F166900](#) [F180100](#) [F258300](#) [F258300-B](#) [F294300-B](#) [F339100](#) [F339700](#) [F358300-](#)
[B](#) [F374110](#) [F407400](#) [F412210](#) [F427600](#) [F444110](#) [F487000](#) [F495100-B](#) [F500900-B](#) [F509500B-B](#) [770444-1](#) [776880-1](#) [827153-1](#) [881735-1](#)
[8N1515-32-24P](#) [9-1326727-8](#) [9-1326729-8](#) [925467-1](#) [925474-1](#) [928905-1](#) [936398-2](#) [964562-1](#) [964562-4](#) [964731-2](#) [965051-1](#) [968782-1](#)
[GT17SA-8DS-HU](#) [GT17VS-10DP-5.2CF](#)