

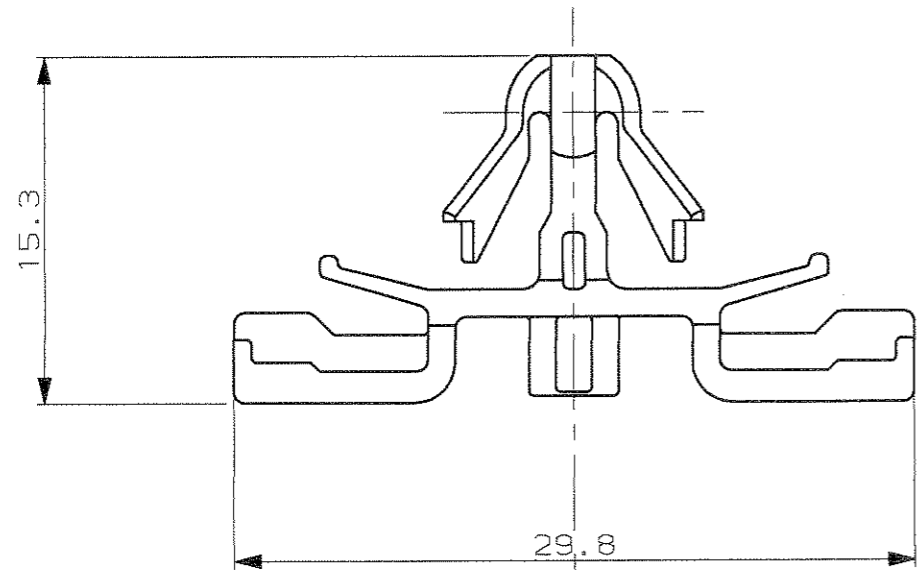
CONNETTORE PORTAMASCHI
(MALE CONNECTOR)

SCALA NON IMPEGNATIVA
(DO NOT SCALE)
DIMENSIONI IN mm
(DIMENSIONS IN mm)

METRIC

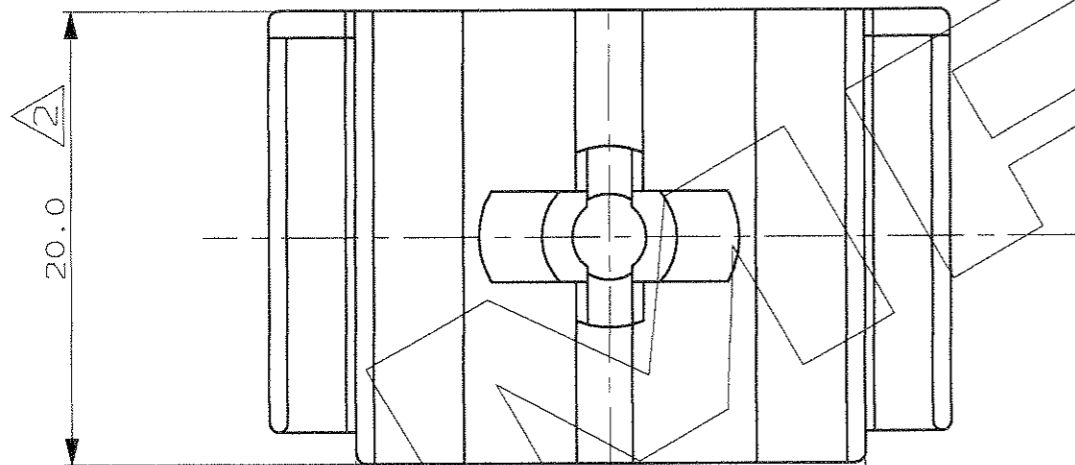
PROIEZIONE EUROPEA
(EUROPEAN PROJECTION)

LATO DEL CONNETTORE PORTAMASCHI CON
SLITTA DI CHIUSURA
(MALE CONNECTOR SIDE WITH MATING SLIDE)



SENSO DI INSERIZIONE
DELL'AGGANCIO NEL
PANNELLO

(INSERTION DIRECTION
FOR LOCKING THE HOOK
IN THE PANEL)



59.0 REF.

32.3

26.7

6.0
REF.

9.3
REF.

N° DI IDENTIFICAZIONE
CAVITA' STAMPO
(MOULD CAVITY
IDENTIFICATION NUMBER)

SPESSORE PANNELLO = 1.2mm MAX.
(1.3mm COMPRESIVO DI VERNICE
ED EVENTUALI BAVE DI TRANCIA)
SPESSORE MINIMO = 1.1mm

PANEL MAX. THICKNESS = 1.2mm
(WITH VARNISH AND POSSIBLE
TRIMMING BURRS ≅ 1.3mm)
PANEL MIN. THICKNESS = 1.1mm

LATO PANNELLO CON
BAVE DI TRANCIA
(CUTOUT PANEL SIDE
WITH TRIMMING BURRS)

DATA DI FABBRICAZIONE
(MANUFACTURING DATE)

1) ADATTO PER FORO PANNELLO $\varnothing 8.0 \pm 0.30$ COME DA TAB. FIAT 01328.
(SUITABLE FOR PANEL HOLE DIAM. 8.0 ± 0.30 AS PER FIAT TAB. 01328).

2) DIMENSIONI PER LE QUALI E' RICHIESTA SUL PANNELLO
UNA SUPERFICIE PIANA.
(A PLANE SURFACE ON THE PANEL IS REQUESTED
FOR THESE DIMENSIONS).

1	NERO (BLACK)	PA 6.6	282322-1
N° (ITEM)	FINITURA / COLORE (FINISH / COLOUR)	MATERIALE (MATERIAL)	NUMERO (PART NUMBER)

CUSTOMER DWG. FOR REFERENCE ONLY DISEGNO PER CLIENTE SOLO PER RIFERIMENTO

THIS DRAWING IS UNPUBLISHED RELEASE FOR PUBLICATION 19

© COPYRIGHT 19 BY AMP INCORPORATED, HARRISBURG, PA. ALL INTERNATIONAL RIGHT RESERVED. AMP PRODUCTS MAY BE COVERED BY U.S. AND FOREIGN PATENT AND/OR PATENT PENDING

TOLLERANZE; SE NON DIVERSAMENTE SPECIFICATO (TOLERANCES, UNLESS OTHERWISE SPECIFIED)	DIAM. ISOLANTE (INS. DIA. RANGE)	RANGO FILO (WIRE RANGE)	SCALA (SCALE)
± 0.3			3:1

ANGOLI (ANGLES)	± 2°	AMP AMP ITALIA S.p.A. Corso F.lli Cervi, 15 COLLEGNO (TORINO)	
--------------------	------	--	--

REV.	REVISIONI (REVISION RECORD)	DIS.	DATA (DATE)	DESCRIZIONE (DESCRIPTION)	GANCIO PANNELLO CONNETTORE 20 VIE SEZ. (PANEL HOOK FOR 20 POS. SECTIONING CONNECTOR)	LOC. SIZE (DNG NO)	NUMERO (DNG NO)	REV.	FOGLIO (SHEET)	
A2	REVISED PER ET00-0118-04	M.G.	09 JUN 2004	DESCRIZIONE (DESCRIPTION)	GANCIO PANNELLO CONNETTORE 20 VIE SEZ. (PANEL HOOK FOR 20 POS. SECTIONING CONNECTOR)	I	A3	C-282322	A2	1
A1	REDRAWN BY CAD AND REVISED PER EC ET00-0354-98	F.C.	28 JAN 1999	DESCRIZIONE (DESCRIPTION)	GANCIO PANNELLO CONNETTORE 20 VIE SEZ. (PANEL HOOK FOR 20 POS. SECTIONING CONNECTOR)					
A	IN PRODUCTION PER EC ET00-0214-95	M.P.	19 SEP 1995	DESCRIZIONE (DESCRIPTION)	GANCIO PANNELLO CONNETTORE 20 VIE SEZ. (PANEL HOOK FOR 20 POS. SECTIONING CONNECTOR)					

DISTRIBUZIONE
(PRINT DIST.)

X-ON Electronics

Largest Supplier of Electrical and Electronic Components

Click to view similar products for [Automotive Connectors](#) category:

Click to view products by [TE Connectivity](#) manufacturer:

Other Similar products are found below :

[003-018-000](#) [60403001](#) [60993906-B](#) [M902-2131](#) [M902-2161](#) [M902-2344](#) [72.330.1035.1](#) [73.353.4028.0](#) [F119300-B](#) [F166900](#) [F258300-B](#)
[F358300-B](#) [F407400](#) [F444110](#) [F487000](#) [F509500B-B](#) [827153-1](#) [8N1515-32-24P](#) [9-1326729-8](#) [925474-1](#) [928905-1](#) [964562-4](#) [968782-1](#)
[GT17SA-8DS-HU](#) [98891-1012](#) [98947-1016](#) [12004147](#) [12004475-L](#) [12010290](#) [12010309-B](#) [12015454](#) [12020219-B](#) [12041318-B](#) [12052225-](#)
[L](#) [12052466](#) [12064869](#) [12004327-B](#) [12015308](#) [12015384](#) [12015909](#) [1-21030-1](#) [12041254](#) [12041318](#) [12047946-B](#) [12047957](#) [12047957-L](#)
[12059473](#) [12066261](#) [12110546](#) [12110546-B](#)