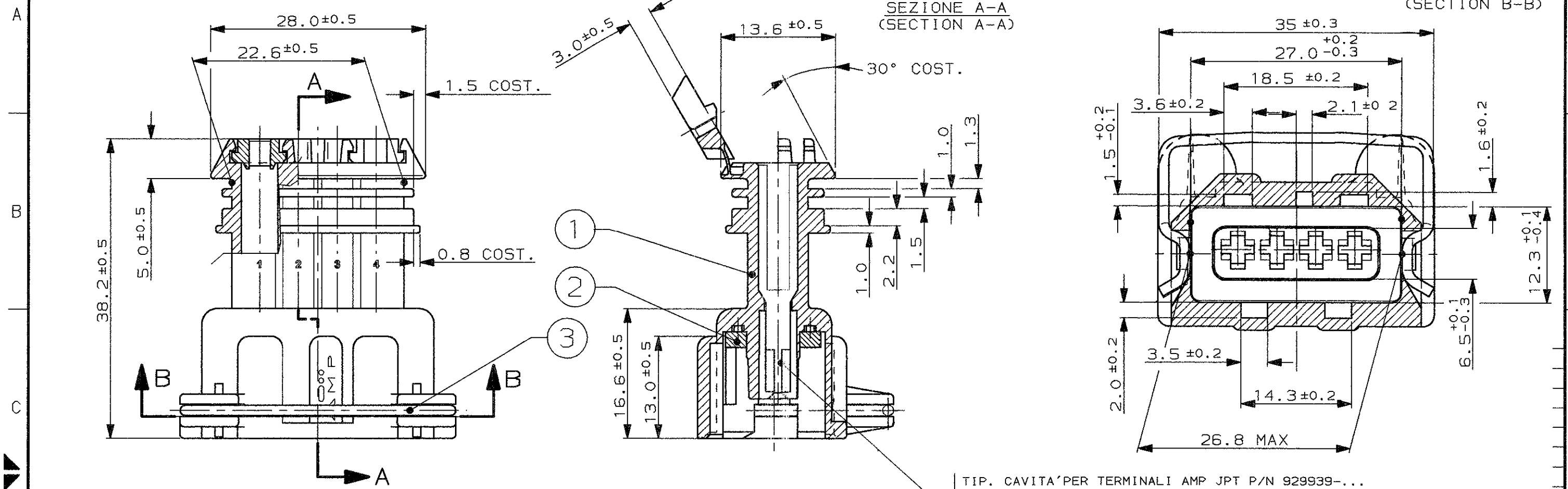


CONNETTORE TIPO A (CON MOLLA DI RITEGNO ESTERNA)
CONNECTOR TYPE A (WITH EXTERNAL SPRING)

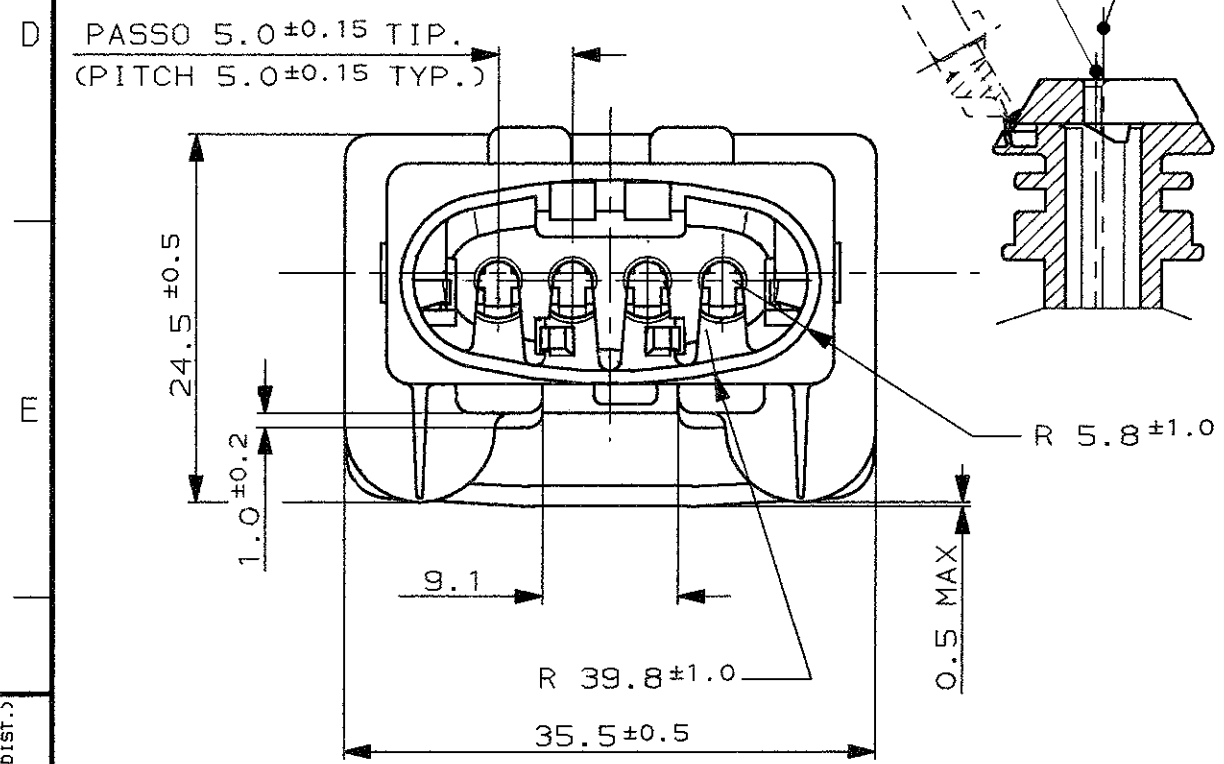
SCALA NON IMPEGNATIVA (DO NOT SCALE)
DIMENSIONI IN mm METRIC
PROIEZIONE EUROPEA (EUROPEAN PROJECTION)

SEZIONE B-B (SECTION B-B)



TIP. CAVITA' PER TERMINALI AMP JPT P/N 929939-...
OPPURE 929937-... E RELATIVI GOMMINI
AMP P/N 828904-1, 828905-1, 282536-1.
TAPPO CAVITA' P/N 828906-2
(TYP. CAV. FOR JPT CONT. P/N 929939-... A/O 929937-... AND REL.
SINGLE WIRE SEAL P/N 828904-1, 828905-1, 282536-1
CAVITY PLUG P/N 828906-2)

ASSE CONNETTORE (CONNECTOR CENTER LINE)
ASSE CAVITA' (CAVITY CENTER LINE)



ROSSO (RED)	----						
GIALLO (YELLOW)	----						
MARRONE (BROWN)	----						
BLU (BLUE)	----		3	//////	ACCIAIO INOX (STAINLESS STEEL)		
VERDE (GREEN)	----				MOLLA (SPRING)		
NATURALE (NATUR)	----		2	NATURALE (NATURAL)	GOMMA (RUBBER)		
GRIGIO (GREY)	282342-1	F			GUARNIZIONE (RUBBER GASKET)		
NERO (BLACK)	----		1	//////	PA 6.6 C.VETRO (PA 6.6 G.F)		
					BLOCCHETTO (HOUSING)		
COLORE (COLOR)	NUMERO (PART. N°)	ASSY (REV.)	N° (ITEM)	FINITURA / COLORE (FINISH / COLOUR)	MATERIALE (MATERIAL)	DESCRIZIONE (DESCRIPTION)	
			CUSTOMER DWG. FOR REFERENCE ONLY		DISEGNO PER CLIENTE SOLO PER RIFERIMENTO		
			THIS DRAWING IS UNPUBLISHED		RELEASE FOR PUBLICATION 19		
			© COPYRIGHT 19 BY AMP INCORPORATED, HARRISBURG, PA. ALL INTERNATIONAL RIGHT RESERVED. AMP PRODUCTS MAY BE COVERED BY U.S. AND FOREIGN PATENT AND/OR PATENT PENDING				
M1	REVISED PER ECR-09-015789	M.G.	3-8 2009	TOLLERANZE, SE NON DIVERSAMENTE SPECIFICATO (TOLERANCES, UNLESS OTHERWISE SPECIFIED)	DIAM. ISOLANTE (INS. DIA. RANGE)	RANGO FILO (WIRE RANGE)	SCALA (SCALE)
M	REVISED FOR ET00-0385-99	M.P.	2-4 01	± 0.3	1.5-3.0 (REDUCED INS. CABLE)	0.5-2.5 mm ²	***
L	AGGIOR. CON ET00-0221-96 (REVISED FOR ET00-0221-96)	A.F.	27-5 '96	ANGOLI (ANGLES)	± 2°		
C	AGGIOR. CON ET00-0108-95 (REVISED FOR ET00-0108-95)	M.P.	11-5 '95				
B	AGG. FOGLIO 2 (ADDED SH.2)	R.M.	3-9 '92	DIS. 11 APR 91 (DR.) R. MARTINI			
A	IN PRODUZIONE (IN PRODUCTION)	R.M.	13-10 '92	CONT. 13 OCT 92 (CHK) C. TARTARI			
1	P/N WAS C-91-5106B-2	R.M.	2-3 '92	APP. (DATE)			
REV. (REV.)	REVISIONI (REVISION RECORD)	DIS. (DR.)	DATA (DATE)				
			I A3		C-282342		M1 1 1
							DI (COF) 2

DISTRIBUZIONE (PRINT DIST.)

X-ON Electronics

Largest Supplier of Electrical and Electronic Components

Click to view similar products for [Automotive Connectors](#) category:

Click to view products by [TE Connectivity](#) manufacturer:

Other Similar products are found below :

[003-018-000](#) [60403001](#) [60993906-B](#) [M902-2131](#) [M902-2161](#) [M902-2344](#) [72.330.1035.1](#) [73.353.4028.0](#) [F119300-B](#) [F166900](#) [F258300-B](#)
[F358300-B](#) [F407400](#) [F444110](#) [F487000](#) [F509500B-B](#) [827153-1](#) [8N1515-32-24P](#) [9-1326729-8](#) [925474-1](#) [928905-1](#) [964562-4](#) [968782-1](#)
[GT17SA-8DS-HU](#) [98891-1012](#) [98947-1016](#) [12004147](#) [12004475-L](#) [12010290](#) [12010309-B](#) [12015454](#) [12020219-B](#) [12041318-B](#) [12052225-](#)
[L](#) [12052466](#) [12064869](#) [12004327-B](#) [12015308](#) [12015384](#) [12015909](#) [1-21030-1](#) [12041254](#) [12041318](#) [12047946-B](#) [12047957](#) [12047957-L](#)
[12059473](#) [12066261](#) [12110546](#) [12110546-B](#)