

NO DI IMPRONTA STAMPO
 (MOULD CAVITY IDENTIFICATION NO.)

LOGO "AMP"
 ("AMP" TRADE MARK)

DATARIO
 (DATE CODE)

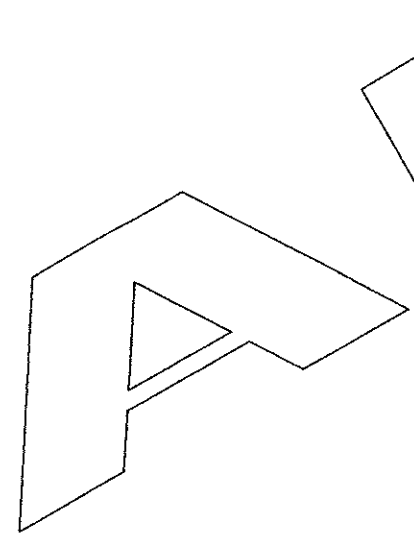
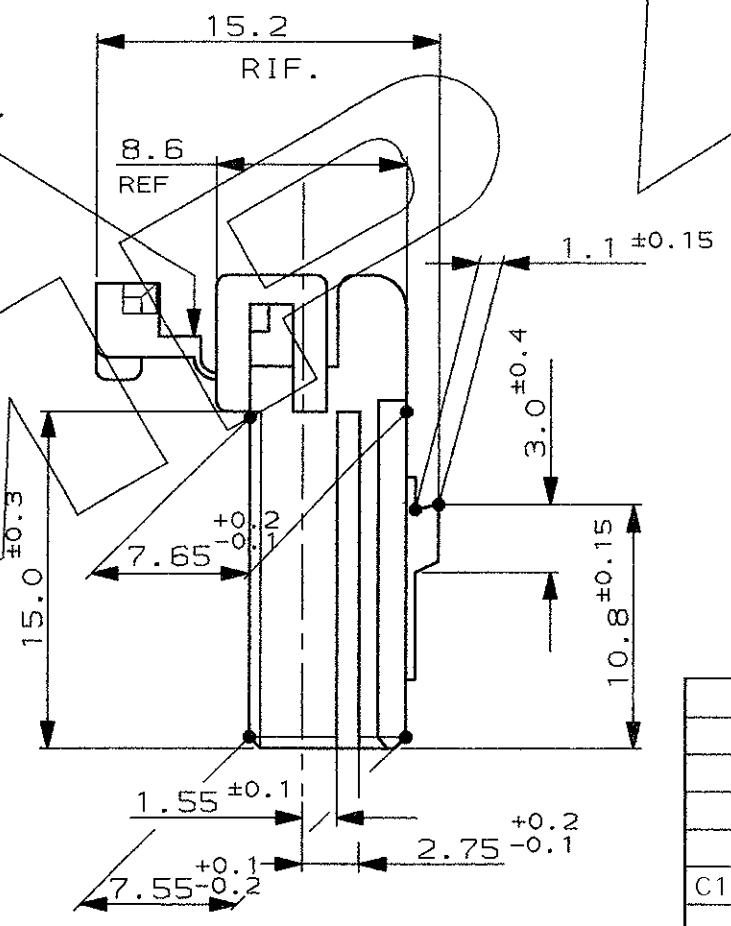
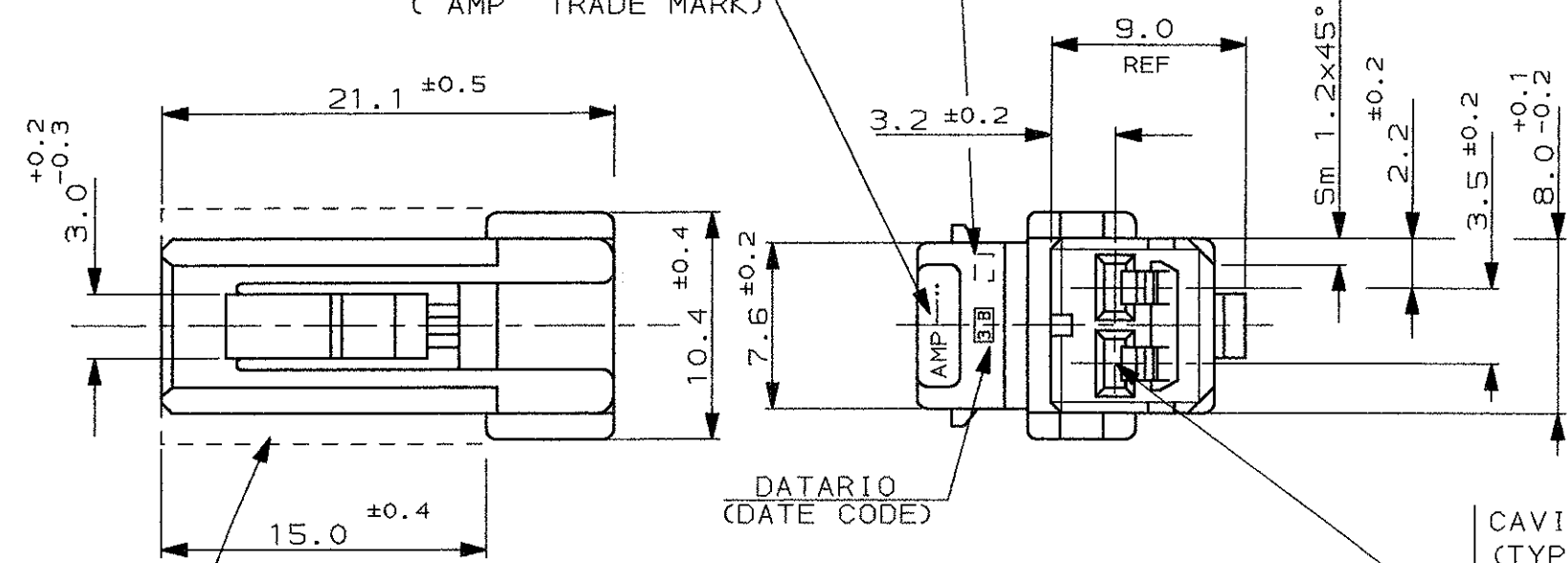
CAVITA' ADATTA PER CONTATTI PN
 (TYP. CAVITY FOR CONTACTS PN)

282374-1 SEZ. 0.3-0.5 mm² (COD. FIAT 1/23197/44)
 282375-1 SEZ. 0.75-1.5 mm² (COD. FIAT 1/24834/44)

PER DETTAGLIO POLARIZZAZIONI VEDERE FOGLIO 2 DI 3
 PER P/Ns CONTROPARTI PORTAMASCHI VEDERE TABELLA.
 (FOR POLARIZATION DETAIL SEE SHEET 2 OF 3, FOR
 COUNTERPART CAP HSG. P/Ns SEE THE TABLE).

CODICE FORNITORE "A047"
 (SUPPLIER CODE "A047")

NON ESISTE (NOT AVAILABLE)	MARRONE (BROWN)	PBT (PBT UNFILLED)	282365-5
NON ESISTE (NOT AVAILABLE)	GRIGIO (GREY)		282365-4
NON ESISTE (NOT AVAILABLE)	BLU (BLUE)		282365-3
NON ESISTE (NOT AVAILABLE)	NERO (BLACK)		282365-2
174460-1 VERSIONE STANDARD (STANDARD VERSION) 178602-1 PER MONTAGGIO SU PANNELLO (FOR PANEL MOUNT)	BIANCO (NATURAL)		282365-1
PORTAMASCHI VOLANTE (CAP HOUSING)	FINITURA / COLORE (FINISH / COLOUR)	MATERIALE (MATERIAL)	NUMERO (PART NUMBER)



1) PER RAPPRESENTAZIONE DIMA CONTROPARTE VEDERE FOGLIO 3 DI 3
 (FOR COUNTERPART DETAIL SEE SHEET 3 OF 3)

CUSTOMER DWG. FOR REFERENCE ONLY		DISEGNO PER CLIENTE SOLO PER RIFERIMENTO	
-THIS DRAWING IS UNPUBLISHED-		RELEASE FOR PUBLICATION 19	
© COPYRIGHT 1997 BY AMP INCORPORATED, HARRISBURG, PA. ALL INTERNATIONAL RIGHT RESERVED. AMP PRODUCTS MAY BE COVERED BY U.S. AND FOREIGN PATENT AND/OR PATENT PENDING			
C1	REVISED PER ECR-13-004824	26 MAR 2015	M.G.
C	ADDED P/N 282365-5 WITH ET00-0471	25-11 1997	M.P.
A1	REVISED & REDR. FOR EC ET00-0298-97	29-7 97	A.B.
A	IN PRODUZIONE	25-11 93	D.CH.
2	AGG. CODICE FIAT	25-10 93	R.M.
1	AGGIORNATO	1-4 93	R.M.
REV.	REVISIONI (REVISION RECORD)	DIS.	DATA (DATE)
TOLLERANZE, SE NON DIVERSAMENTE SPECIFICATO (TOLERANCES, UNLESS OTHERWISE SPECIFIED)		DIAM. ISOLANTE (INS. DIA. RANGE)	RANGO FILO (WIRE RANGE)
± 0.3		3:1	
ANGOLI (ANGLES)		± 2°	
DIS. M. PALMA (DR.) 28-5-97		CONT. C. TARTARI (CHK) 28-5-97	
LOC.	SIZE	NUMERO (DWS NO)	REV.
I	A3	C-282365	C1
DESCRIZIONE (DESCRIPTION) 070 SERIES MULTILOCK* CONN. PLUG HOUSING 2 POSITION (PORTAFEMMINA) SINGLE ROW		FOGLIO (SHEET) 1 DI (OF) 3	

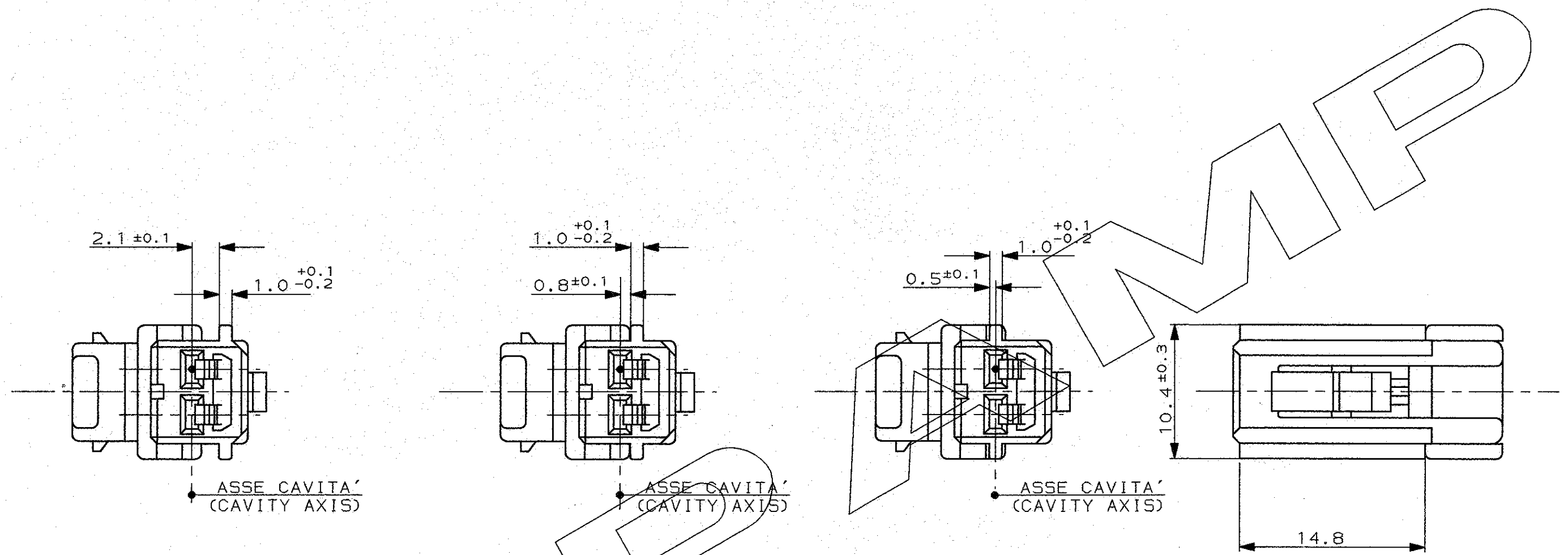
DISTRIBUZIONE (PRINT DIST.)

SCALA NON IMPEGNATIVA
(DO NOT SCALE)
DIMENSIONI IN mm
(DIMENSIONS IN mm)

METRIC

PROIEZIONE EUROPEA
(EUROPEAN PROJECTION)

RAPPRESENTAZIONE GRAFICA VERSIONI POLARIZZATE
(DETAIL REPRESENTATION OF POLARIZED VERSION)



PN 282365-2 NERO
(BLACK)

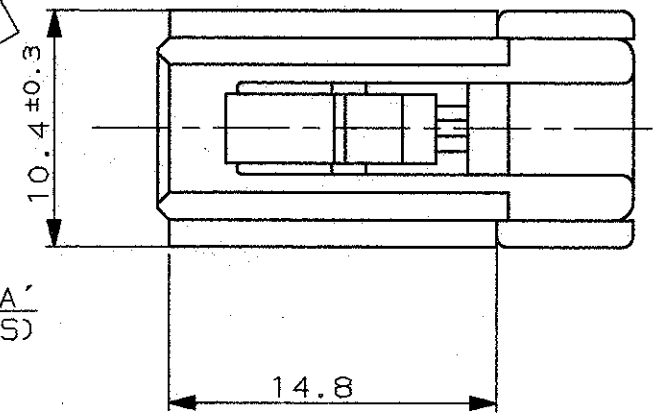
PN 282365-3 BLU
(BLUE)

PN 282365-4 GRIGIO
(GREY)

ASSE CAVITA'
(CAVITY AXIS)

ASSE CAVITA'
(CAVITY AXIS)

ASSE CAVITA'
(CAVITY AXIS)



FINITURA / COLORE (FINISH / COLOUR)		MATERIALE (MATERIAL)		NUMERO (PART NUMBER)	
CUSTOMER DWG. FOR REFERENCE ONLY		DISEGNO PER CLIENTE SOLO PER RIFERIMENTO			
THIS DRAWING IS UNPUBLISHED			RELEASE FOR PUBLICATION		19
© COPYRIGHT 19 BY AMP INCORPORATED, HARRISBURG, PA. ALL INTERNATIONAL RIGHT RESERVED. AMP PRODUCTS MAY BE COVERED BY U.S. AND FOREIGN PATENT AND/OR PATENT PENDING					
TOLLERANZE, SE NON DIVERSAMENTE SPECIFICATO (TOLERANCES, UNLESS OTHERWISE SPECIFIED)		DIAM. ISOLANTE (INS. DIA. RANGE)		RANGO FILO (WIRE RANGE)	
± 0.3		-		-	
ANGOLI (ANGLES)		± 2°		-	
DIS. (DR.)		DESCRIZIONE (DESCRIPTION) 070 SERIES MULTILOCK* CONN. PLUG HOUSING 2 POSITION (PORTAFEMMINE) SINGLE ROW			
CONT. (CHK)		LOC. SIZE		NUMERO (DWG NO)	
-		I A3		C-282365	
APP. (APP.)		REV.		FOGLIO (SHEET)	
-		C1		D1 (OF) 3	

REV. (REV. NO.)	REVISIONI (REVISION RECORD)	DIS. (DR.)	DATA (DATE)	APP. (APP.)

DISTRIBUZIONE
(PRINT DIST.)

SCALA NON IMPEGNATIVA
(DO NOT SCALE)
DIMENSIONI IN mm
(DIMENSIONS IN mm)

METRIC

PROIEZIONE EUROPEA
(EUROPEAN PROJECTION)

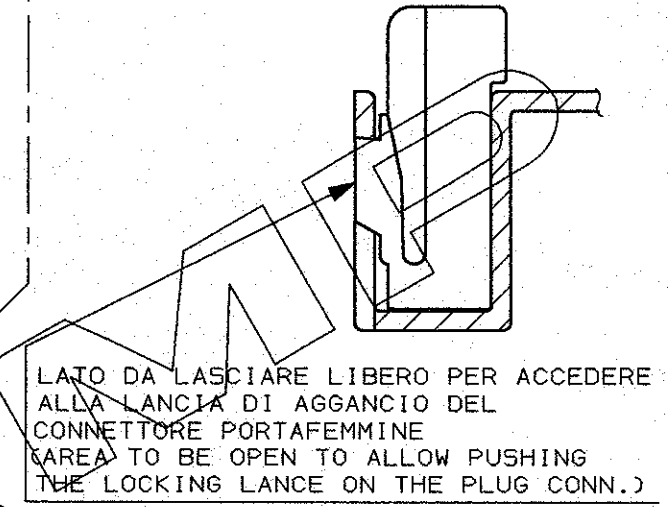
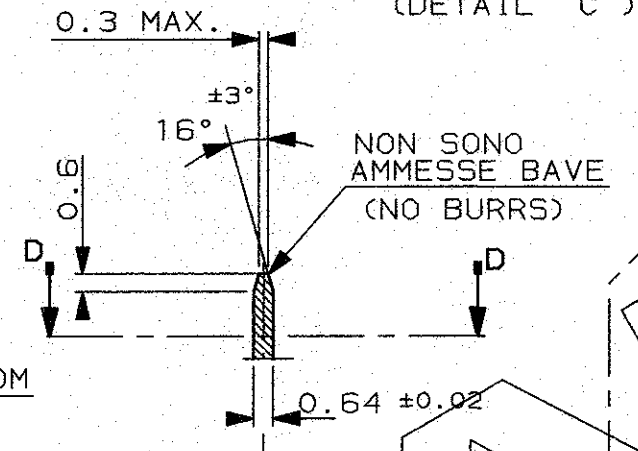
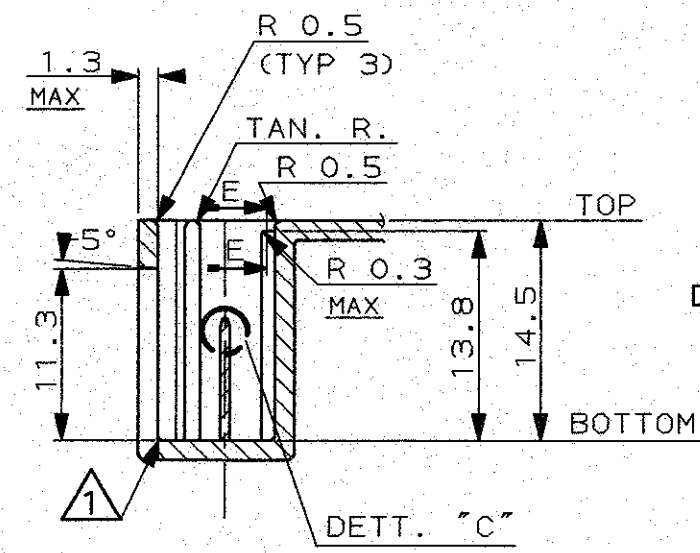
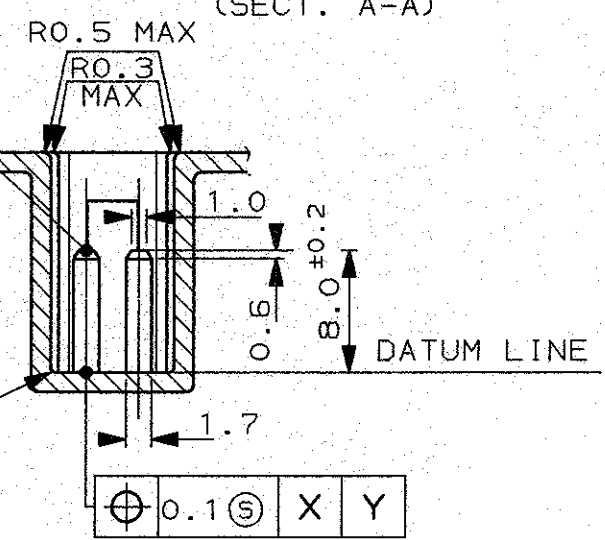
APPLICAZIONE DEL CONNETTORE
IN DIMA

SEZ. B-B
(SECT. B-B)

DETT. "C"
(DETAIL "C")

⊕ 0.2 ⊕ X Y

SEZ. A-A
(SECT. A-A)

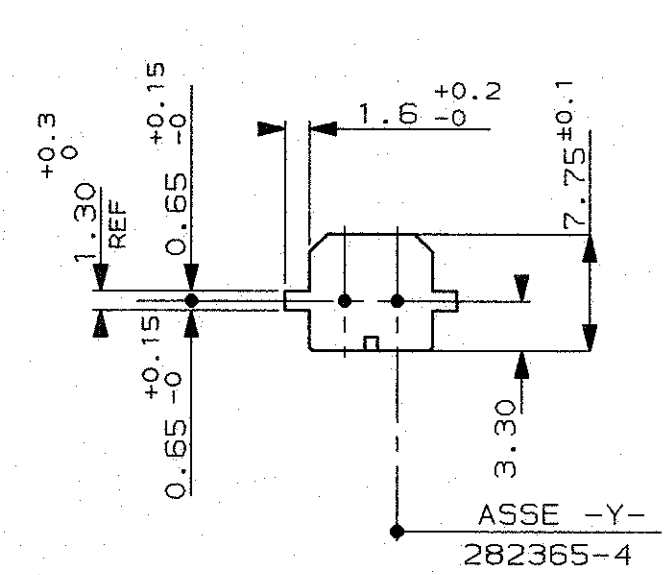
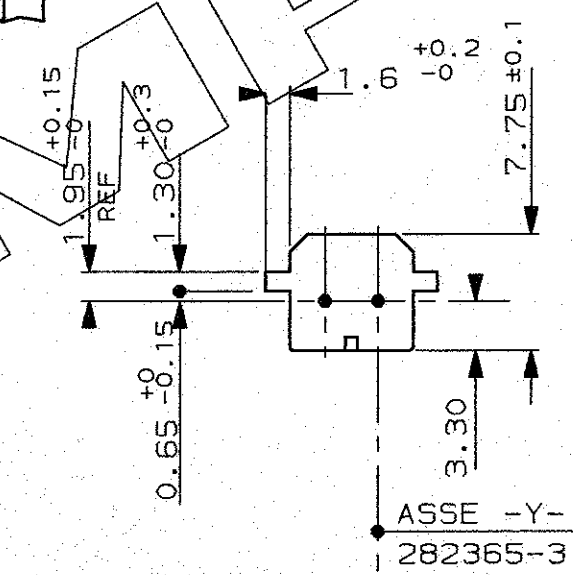
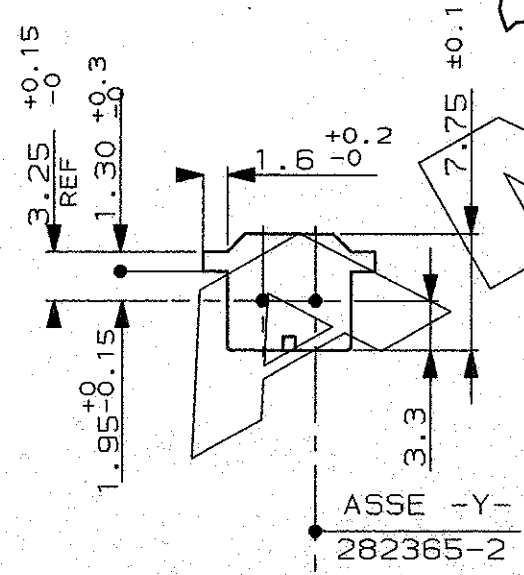
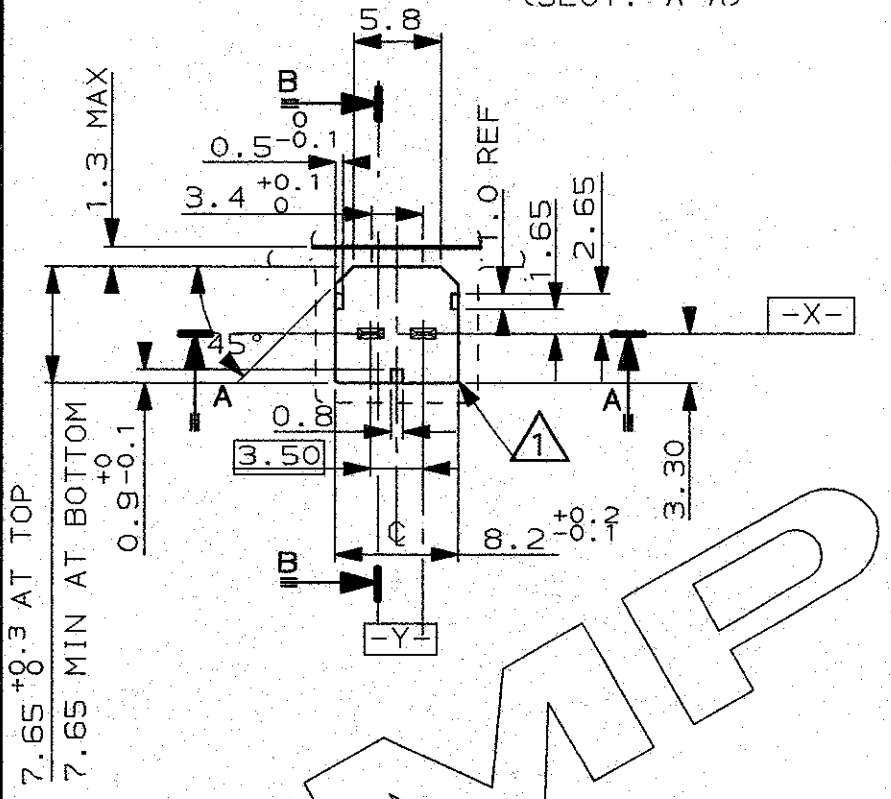


SEZ. D-D
(SECT. D-D)

SEZ. E-E
(SECT. E-E)

CONIARE LE BAVE DI TRANCIATURA
(NO TRIMMING BURRS ADMITTABLE)

SEZ. A-A
(SECT. A-A)



1) SPIGOLI INTERNI R0.3 MAX. SE NON DIVERSAMENTE INDICATO.
(UNLESS OTHERWISE SPECIFIED R0.3 MAX.)

2) TAB: OTTONE TEMPRA 4, STAGNATO.
(TAB: BRASS TEMPER 4, TIN PLATED)

FINITURA / COLORE (FINISH / COLOUR)	MATERIALE (MATERIAL)	NUMERO (PART NUMBER)
--	-------------------------	-------------------------

CUSTOMER DWG. FOR REFERENCE ONLY
DISEGNO PER CLIENTE SOLO PER RIFERIMENTO

THIS DRAWING IS UNPUBLISHED
RELEASE FOR PUBLICATION 19

© COPYRIGHT 19 BY AMP INCORPORATED, HARRISBURG, PA. ALL INTERNATIONAL RIGHTS RESERVED. AMP PRODUCTS MAY BE COVERED BY U.S. AND FOREIGN PATENT AND/OR PATENT PENDING

TOLLERANZE; SE NON DIVERSAMENTE SPECIFICATO (TOLERANCES; UNLESS OTHERWISE SPECIFIED)	DIAM. ISOLANTE (INS. DIA. RANGE)	RANGO FILO (WIRE RANGE)	SCALA (SCALE)
0 DEC ± 0.3 1 DEC ± 0.1 2 DEC ± 0.05	-	-	2:1

ANGOLI (ANGLES) ± 0° 30'

STE TE Connectivity

DIS. (DR.)
CONT. (CHK.)
APP. (APP.)

DESCRIZIONE (DESCRIPTION) 070 SERIES MULTILOCK*
CONN. PLUG HOUSING 2 POSITION (PORTAFEMMINE) SINGLE ROW

LOC. (LOC.)	SIZE (SIZE)	NUMERO (DWG. NO.)	REV. (REV.)	FOGLIO (SHEET)
I	A3	C-282365	C1	3 DI 3

REV. (REV.)	REVISIONI (REVISION RECORD)	DIS. (DR.)	DATA (DATE)

DISTRIBUZIONE (PRINT DIST.)

X-ON Electronics

Largest Supplier of Electrical and Electronic Components

Click to view similar products for [Automotive Connectors](#) category:

Click to view products by [TE Connectivity](#) manufacturer:

Other Similar products are found below :

[003-018-000](#) [60993906-B](#) [72.330.1035.1](#) [F358300-B](#) [F407400](#) [776880-1](#) [827153-1](#) [8N1515-32-24P](#) [9-1326729-8](#) [925474-1](#) [928905-1](#)
[964562-4](#) [968782-1](#) [98891-1012](#) [12004475-L](#) [12041318-B](#) [12052466](#) [12015909](#) [1-21030-1](#) [12041318](#) [12047957](#) [12185550](#) [12336-12](#)
[12147304](#) [1-326211-1](#) [13681974](#) [13783086](#) [13832576](#) [13542772](#) [13675513](#) [13964573](#) [1428188-1](#) [1437287-3](#) [1428188-2](#) [DS07-19S-5020](#)
[1456983-5](#) [1456987-7](#) [APD-7CP-H](#) [APK-SB25A10L](#) [1452931-2](#) [15491972](#) [15305306](#) [15396680](#) [15425613](#) [15518544](#) [15522351](#) [1719636-](#)
[1](#) [172190-2](#) [172190-5](#) [192900-0402](#)