

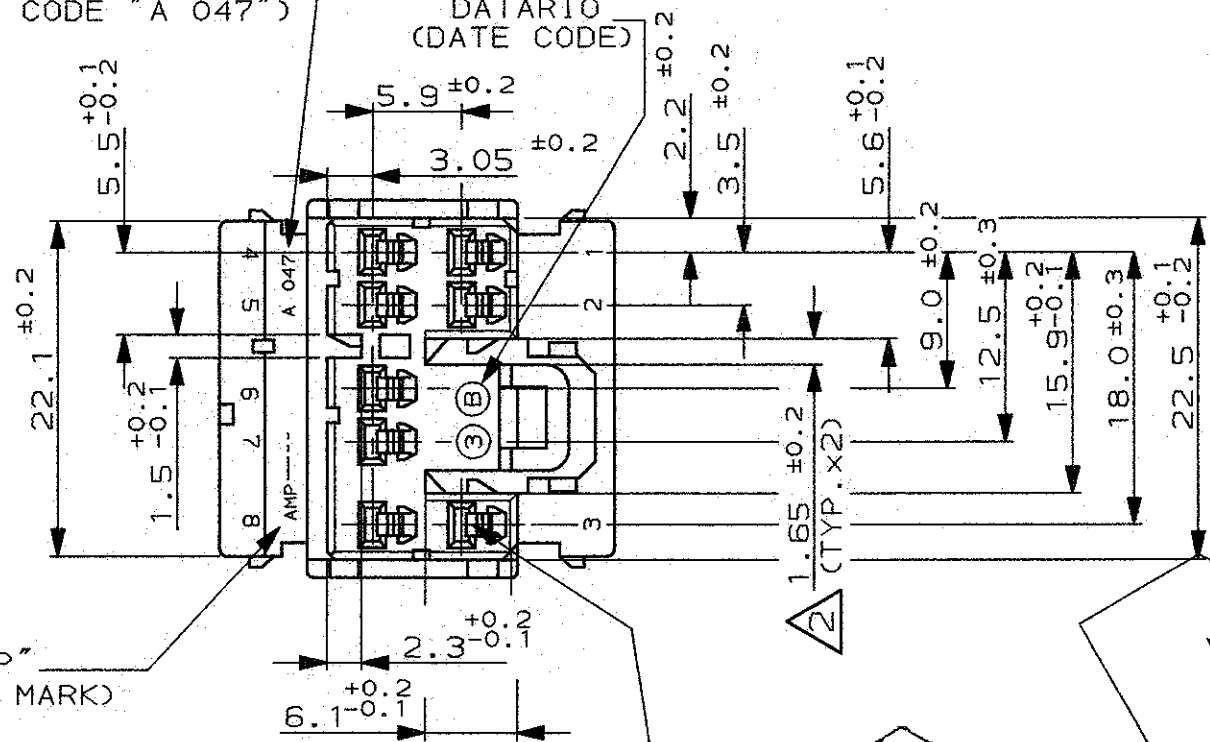
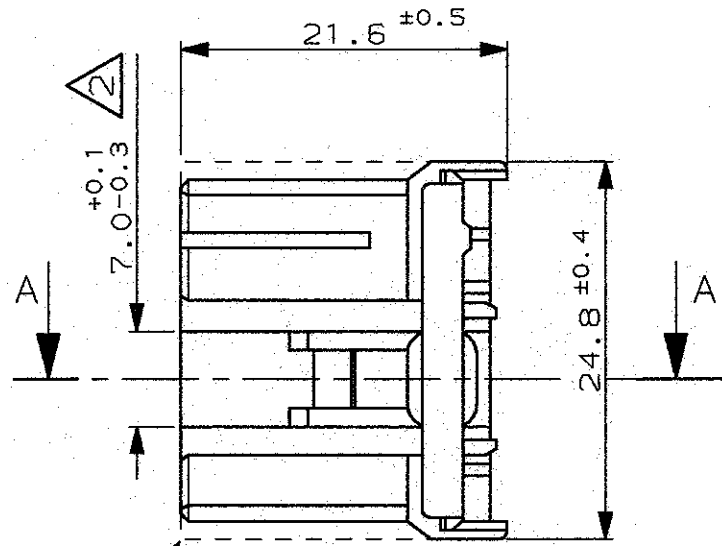
CODICE FORNITORE "A 047"
(SUPPLIER CODE "A 047")

DATARIO
(DATE CODE)

SCALA NON IMPEGNATIVA
(DO NOT SCALE)
DIMENSIONI IN mm
(DIMENSIONS IN)

METRIC

PROIEZIONE EUROPEA
(EUROPEAN PROJECTION)

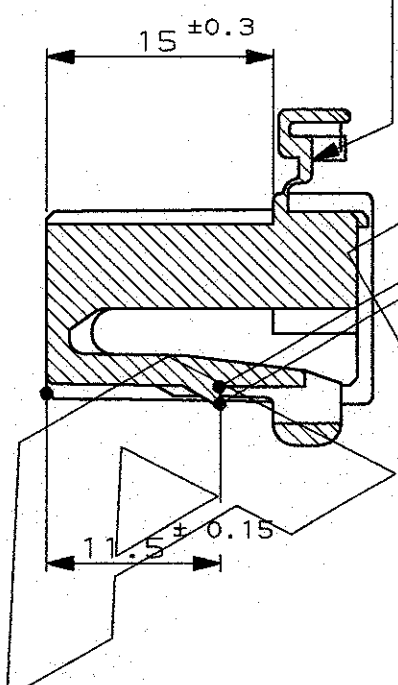


LOGO "AMP"
("AMP" TRADE MARK)

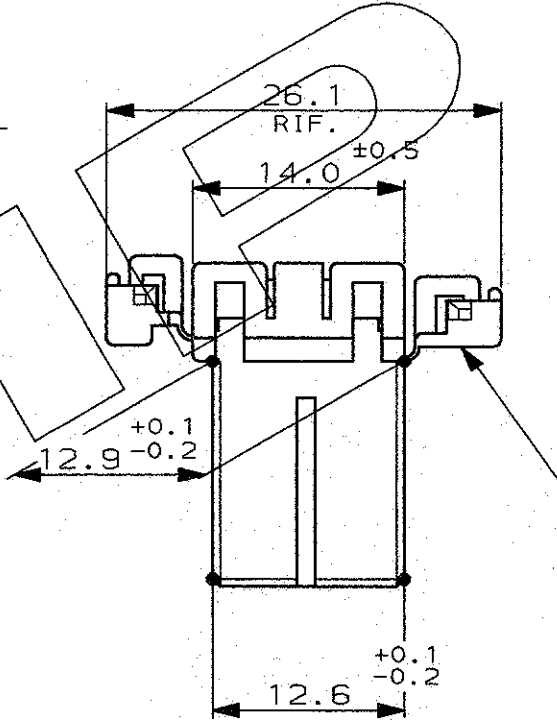
PER DETTAGLIO POLARIZZAZIONI VEDERE FOGLIO 2 DI 3
PER P/NS CONTROPARTI PORTAMASCHI, VEDERE TABELLA:
(FOR POLARIZATION DETAIL SEE SHEET 2 OF 3, FOR
COUNTERPART CAP HSG. P/NS SEE THE TABLE).

CAVITA' ADATTE PER CONTATTI P/N:
(CAVITIES SUITABLE FOR CONTACTS P/N:)
282374-1 SEZ. 0.3-0.5 mm² (COD.FIAT 1/23197/44)
282375-1 SEZ. 0.75-1.5 mm² (COD.FIAT 1/24834/44)

NO. DI IMPRONTA STAMPO
(MOULD CAVITY IDENTIF. NO.)



SEZIONE A-A
(SECTION A-A)



NUM. DI CAVITA'
(CIRCUIT IDENTIF. NO.)

1) PER RAPPRESENTAZIONE DIMA CONTROPARTE VEDERE FOGLIO 3 DI 3.
(FOR COUNTERPART DETAIL SEE SHEET 3 OF 3).

2) QUOTA VALIDA SOLO PER VERSIONE 282366-1.
(VALID DIMENSION ONLY FOR 282366-1 VERSION)

NON ESISTE (NOT AVAILABLE)	282370-4	GRIGIO (GREY)	PBT (PBT UNFILLED)	282366-4
NON ESISTE (NOT AVAILABLE)	282370-3	BLU (BLUE)		282366-3
NON ESISTE (NOT AVAILABLE)	282370-2	NERO (BLACK)		282366-2
282628-1 VERS. ORIZZONTALE (HORIZONTAL VERS.) 282770-1 VERS. VERTICALE (VERTICAL VERS.)	282370-1	BIANCO (NATURAL)		282366-1
CONTROP. P.C.B. (HEADER ASSY)	PORTAMASCHI VOLANTE (CAP HOUSING)	COLORE (COLOUR)		MATERIALE (MATERIAL)

CUSTOMER DWG. FOR REFERENCE ONLY
DISEGNO PER CLIENTE SOLO PER RIFERIMENTO

THIS DRAWING IS UNPUBLISHED. RELEASE FOR PUBLICATION 19
© COPYRIGHT 19 BY AMP INCORPORATED, HARRISBURG, PA. ALL INTERNATIONAL RIGHT RESERVED. AMP PRODUCTS MAY BE COVERED BY U.S. AND FOREIGN PATENT AND/OR PATENT PENDING
TOLLERANZE, SE NON DIVERSAMENTE SPECIFICATO (TOLERANCES, UNLESS OTHERWISE SPECIFIED) ± 0.3
DIAM. ISOLANTE (INS. DIA. RANGE) RANGO FILO (WIRE RANGE) SCALA (SCALE) 2:1

E2	REVISED PER ECR-13-004824	M.G.	20MAR 2013	± 0.3	STE TE Connectivity
E1	REVISED FOR EG ET00-0298-97	A.B.	29-7 97	ANGOLI (ANGLES) ± 2°	
E	RELEASED AND REVISED FOR ET00-0215-97	M.P.	19-5 97	DIS. GIORDANINO (DR.) 29 APR 92	DESCRIZIONE (DESCRIPTION) 070 SERIES MULTILOCK* CONN. PLUG HOUSING 8 POSITION (PORTAFEMMINE) DOUBLE ROW
2	AGG. CODICE FIAT	R.M.	25-10 93	CONT. C. TARTART (CHK) 25-10 93	
1	AGGIORNATO	R.M.	1-4 93	APP. (APP.)	
REV.	REVISIONI (REVISION RECORD)	DIS. DATA (DR)	DATA (DATE)	APP. (APP.)	LOC. SIZE NUMERO (DWG NO) I A3 C-282366
					REV. FOGLIO (SHEET) E2 1 DI (OF) 3

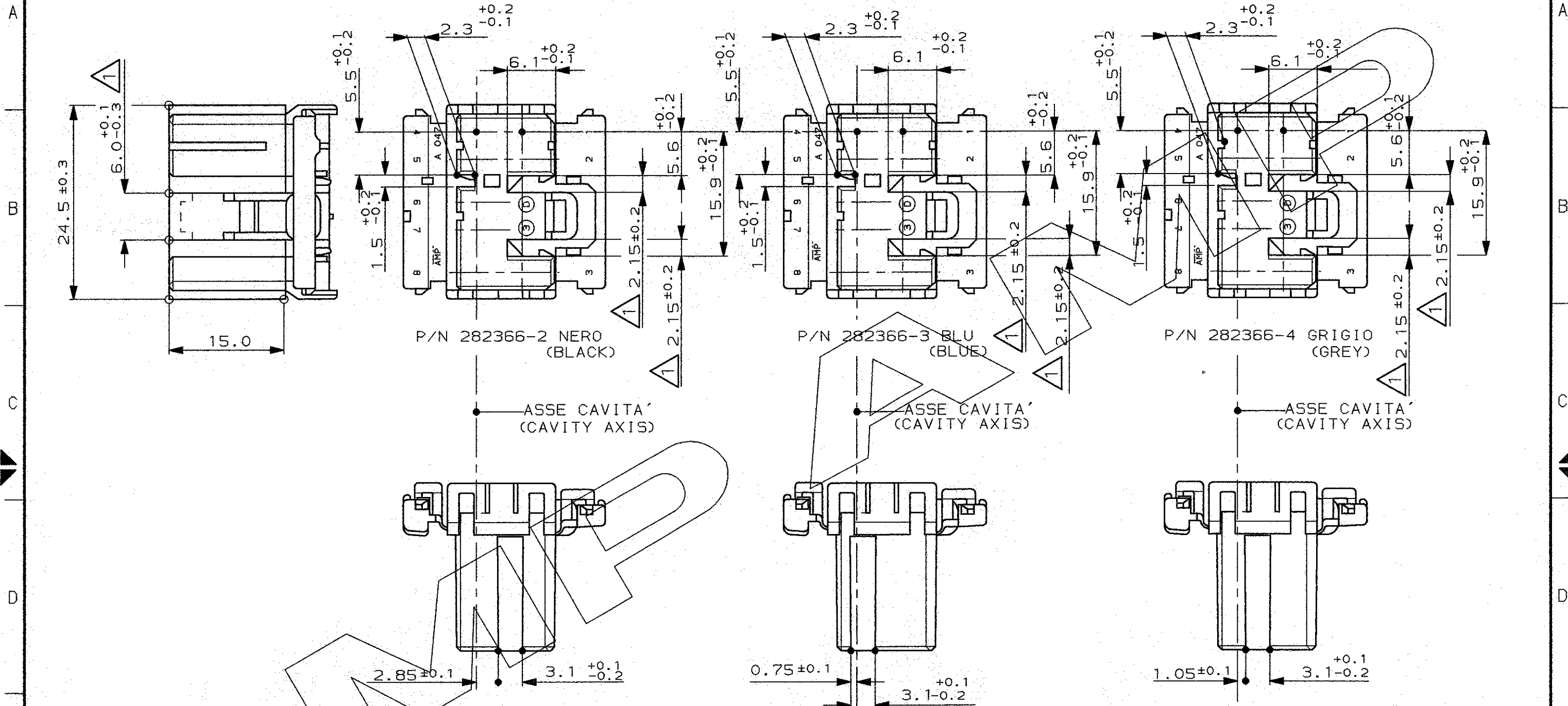
DISTRIBUZIONE
(PRINT DIST.)

RAPPRESENTAZIONE GRAFICA VERSIONI POLARIZZATE
(DETAIL REPRESENTATION OF POLARIZATION VERSIONS)

SCALA NON IMPEGNATIVA
(DO NOT SCALE)
DIMENSIONI IN mm
(DIMENSIONS IN mm)

METRIC

PROIEZIONE EUROPEA
(EUROPEAN PROJECTION)



1 QUOTA VALIDA PER VERSIONI 282366-2; -3; -4
(VALID DIMENSION ONLY FOR 282366-2; -3; -4 VERSIONS)

COLORE (COLOUR)	MATERIALE (MATERIAL)	NUMERO (PART NUMBER)
CUSTOMER DWG. FOR REFERENCE ONLY	DISEGNO PER CLIENTE SOLO PER RIFERIMENTO	19
THIS DRAWING IS UNPUBLISHED		RELEASE FOR PUBLICATION
© COPYRIGHT 19 BY AMP INCORPORATED, HARRISBURG, PA. ALL INTERNATIONAL RIGHT RESERVED. AMP PRODUCTS MAY BE COVERED BY U.S. AND FOREIGN PATENT AND/OR PATENT PENDING		
TOLLERANZE, SE NON DIVERSAMENTE SPECIFICATO (TOLERANCES, UNLESS OTHERWISE SPECIFIED)	DIAM. ISOLANTE (INS. DIA. RANGE)	RANGO FILO (WIRE RANGE)
± 0.3		
ANGOLI (ANGLES)	SCALA (SCALE)	
± 2°	2:1	
DIS. (DR.)	DESCRIZIONE (DESCRIPTION)	
CONT. (CHK)	070 SERIES MULTILOCK* CONN. PLUG HOUSING 8 POSITION (PORTAFEMMINE) DOUBLE ROW	
REV. (REV.)	LOC. (LOC.)	NUMERO (DWG NO)
REVISIONI (REVISION RECORD)	I A3	C-282366
DIS. DATA (DR) (DATE)	APP. (APP.)	REV. (REV.)
		E2
		FOLIO (SHEET)
		D1
		3

DISTRIBUZIONE (PRINT DIST.)

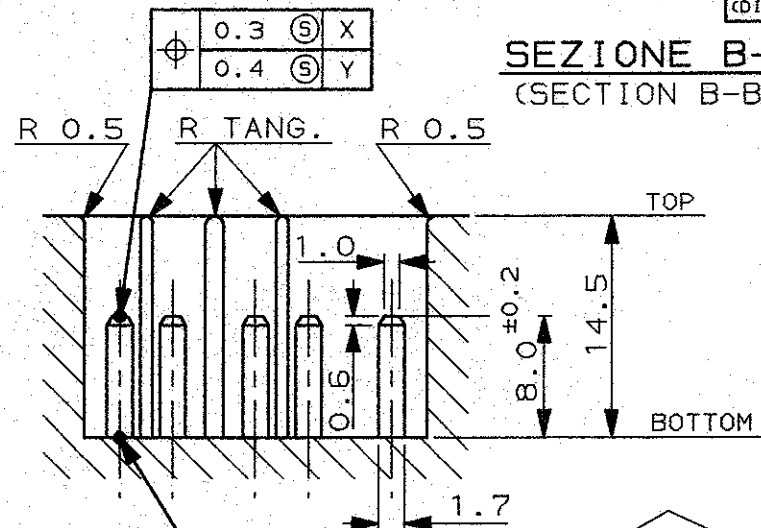
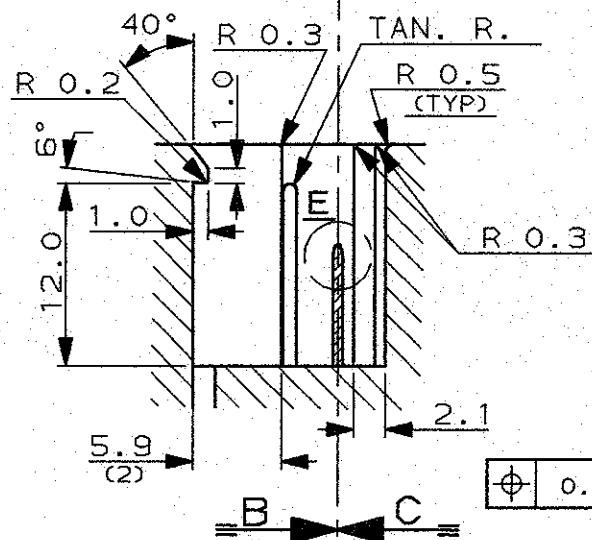
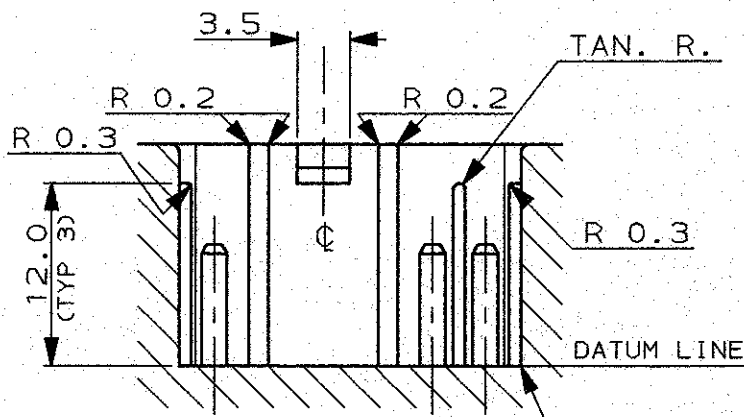
SEZIONE C-C
(SECTION C-C)

SEZIONE A-A
(SECTION A-A)

SCALA NON IMPEGNATIVA
(DO NOT SCALE)
DIMENSIONI IN mm
(DIMENSIONS IN mm)

METRIC

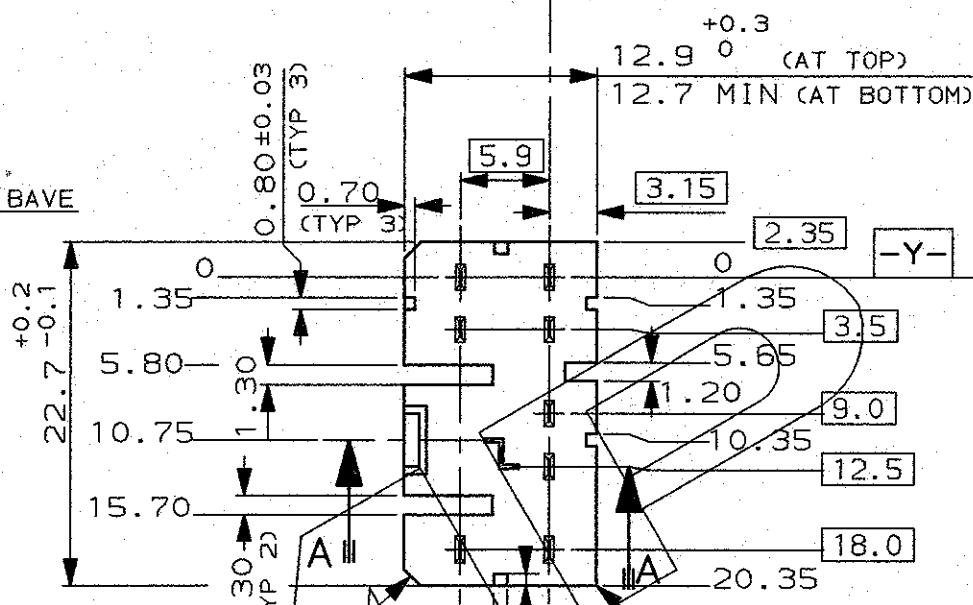
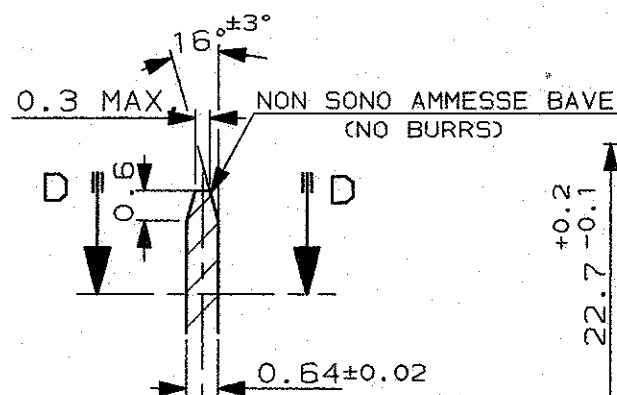
PROIEZIONE EUROPEA
(EUROPEAN PROJECTION)



SEZIONE G-G
(SECTION G-G)

SEZIONE F-F
(SECTION F-F)

DETTAGLIO "E"
(DETAIL "E")

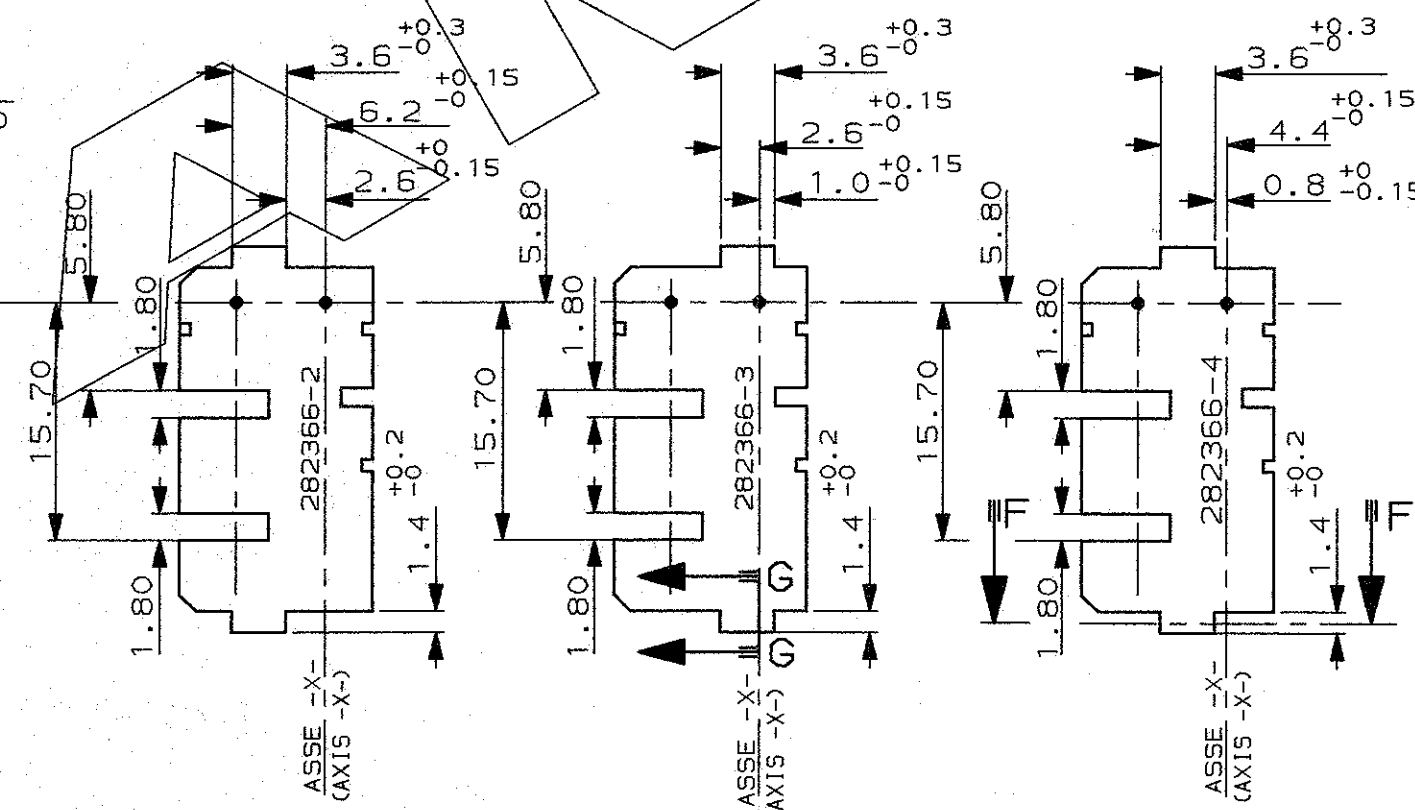


SEZIONE D-D
(SECTION D-D)

CONIARE LE BAVE DI TRANCIATURA
(NO TRIMMING BURRS ADMITABLE)

1) SPIGOLI INTERNI R 0.3 MAX SE NON DIVERSAMENTE INDICATO.
(UNLESS OTHERWISE SPECIFIED R. 0.3 MAX)

2) TAB: OTTONE TEMPRA 4, STAGNATO
(TAB: BRASS TEMPER 4, TIN PLATED)



REV.	REVISIONI (REVISION RECORD)	DIS.	DATA (DATE)

COLORE (COLOUR)	MATERIALE (MATERIAL)	NUMERO (PART NUMBER)
CUSTOMER DWG. FOR REFERENCE ONLY	DISEGNO PER CLIENTE SOLO PER RIFERIMENTO	19
THIS DRAWING IS UNPUBLISHED		RELEASE FOR PUBLICATION
© COPYRIGHT 19 BY AMP INCORPORATED, HARRISBURG, PA. ALL INTERNATIONAL RIGHT RESERVED. AMP PRODUCTS MAY BE COVERED BY U.S. AND FOREIGN PATENT AND/OR PATENT PENDING		
TOLLERANZE, SE NON DIVERSAMENTE SPECIFICATO (TOLERANCES, UNLESS OTHERWISE SPECIFIED)	DIAM. ISOLANTE (INS. DIA. RANGE)	RANGO FILO (WIRE RANGE)
0 DEC. PLACE ±0.3 1 DEC. PLACE ±0.1 2 DEC. PLACE ±0.05		SCALA (SCALE) 2:1
ANGOLI (ANGLES) 0° 30'	STE TE Connectivity	
DIS. (DR.)	DESCRIZIONE (DESCRIPTION) 070 SERIES MULTILOCK* CONN. PLUG HOUSING 8 POSITION (DIMA DI MONTAGGIO)	
CONT. (CHK)	LOC. SIZE (DWG NO)	NUMERO (DWG NO)
	I A3	C-282366
APP. (APP.)	REV.	FOGLIO (SHEET)
SEE SHEET 1 OF 3	E2	3 DI 3 (COF) 3

DISTRIBUZIONE
(PRINT DIST.)

X-ON Electronics

Largest Supplier of Electrical and Electronic Components

Click to view similar products for [Automotive Connectors](#) category:

Click to view products by [TE Connectivity](#) manufacturer:

Other Similar products are found below :

[003-018-000](#) [60403001](#) [60993906-B](#) [M902-2131](#) [M902-2161](#) [72.330.1035.1](#) [73.353.4028.0](#) [F119300-B](#) [F166900](#) [F258300-B](#) [F358300-B](#)
[F407400](#) [F444110](#) [F487000](#) [F509500B-B](#) [827153-1](#) [8N1515-32-24P](#) [9-1326729-8](#) [925474-1](#) [928905-1](#) [964562-4](#) [968782-1](#) [GT17SA-8DS-](#)
[HU](#) [98891-1012](#) [98947-1016](#) [12004147](#) [12004475-L](#) [12010290](#) [12010309-B](#) [12015454](#) [12020219-B](#) [12020308](#) [12041318-B](#) [12052225-L](#)
[12052466](#) [12059125](#) [12064869](#) [12004327-B](#) [12010503-B](#) [12015308](#) [12015384](#) [12015909](#) [1-21030-1](#) [12041254](#) [12041318](#) [12047946-B](#)
[12047957](#) [12047957-L](#) [12059473](#) [12066261](#)