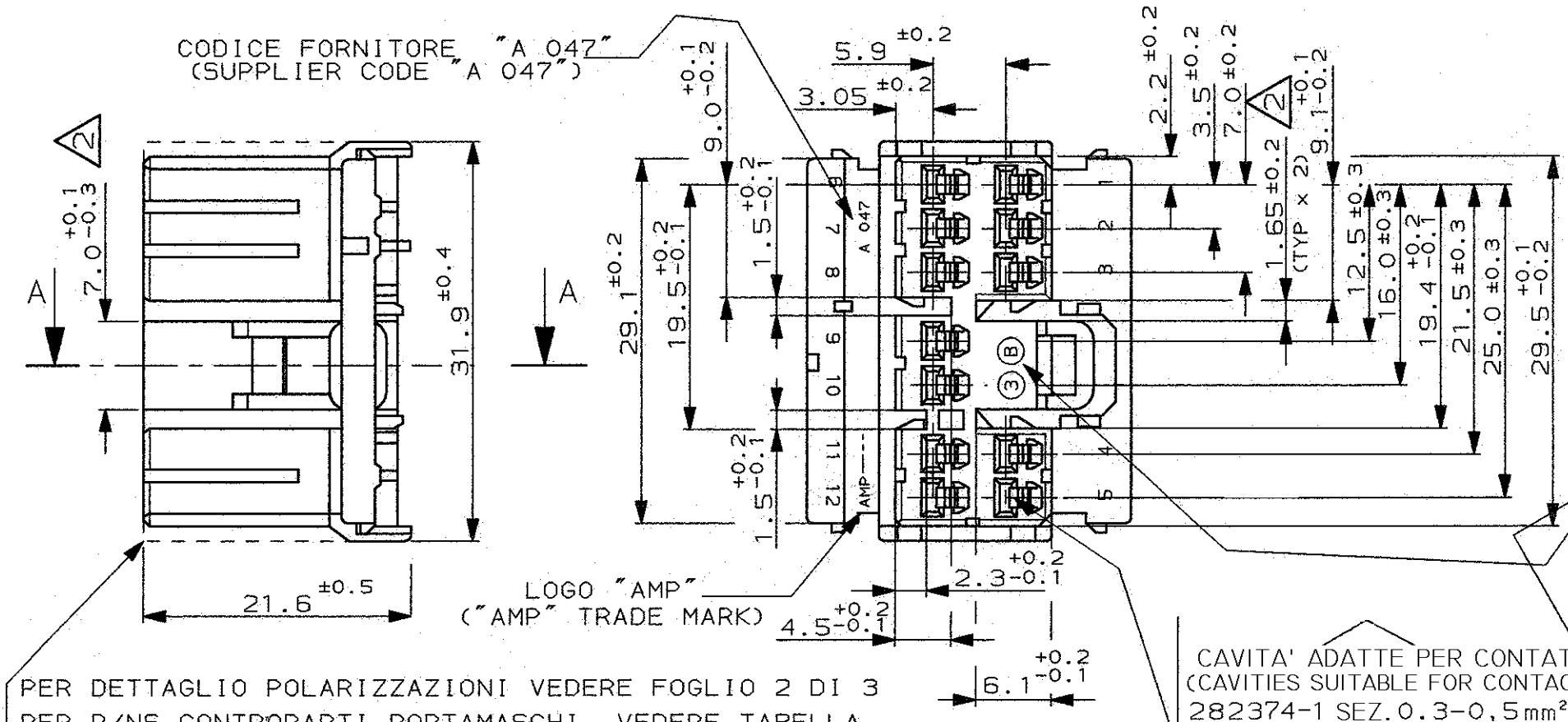


CODICE FORNITORE "A 047"
(SUPPLIER CODE "A 047")



LOGO "AMP"
("AMP" TRADE MARK)

DATARIO
(DATE CODE)

PER DETAGLIO POLARIZZAZIONI VEDERE FOGLIO 2 DI 3
PER P/NS CONTROPARTI PORTAMASCHI, VEDERE TABELLA.
(FOR POLARIZATION DETAIL SEE SHEET 2 OF 3, FOR
COUNTERPART CAP HSG. P/NS SEE THE TABLE).

CAVITA' ADATTE PER CONTATTI P/N:
(CAVITIES SUITABLE FOR CONTACTS P/N:)
282374-1 SEZ. 0.3-0.5 mm² (COD. FIAT 1/23197/44)
282375-1 SEZ. 0.75-1.5 mm² (COD. FIAT 1/24834/44)

NO. DI IMPRONTA STAMPO
(MOULD CAVITY IDENTIF. NO.)

SEZIONE A-A
(SECTION A-A)

NUM. DI CAVITA'
(CIRCUIT IDENTIF. NO.)

1) PER RAPPRESENTAZIONE DIMA CONTROPARTE VEDERE FOGLIO 3 DI 3.
(FOR COUNTERPART DETAIL SEE SHEET 3 OF 3).

2) QUOTA VALIDA SOLO PER VERSIONE 282367-1.
(VALID DIMENSION ONLY FOR 282367-1 VERSION)

OBSOLETE	282525-8 VERS. VERTICALE (VERTICAL VERS.)	282371-4	GRIGIO (GREY)	PBT (PBT UNFILLED)	282367-4
	282525-7 VERS. VERTICALE (VERTICAL VERS.)	282371-3	BLU (BLUE)		282367-3
	282525-6 VERS. VERTICALE (VERTICAL VERS.)	282371-2	NERO (BLACK)		282367-2
	282629-1 VERS. ORIZZONTALE (HORIZONTAL VERS.)	282371-1	BIANCO (NATURAL)		282367-1
	282525-5 VERS. VERTICALE (VERTICAL VERS.)				
CONTROP. P.C.B. (HEADER ASSY)	PORTAMASCHI VOLANTE (CAP HOUSING)	COLORE (COLOUR)	MATERIALE (MATERIAL)	NUMERO (PART NUMBER)	

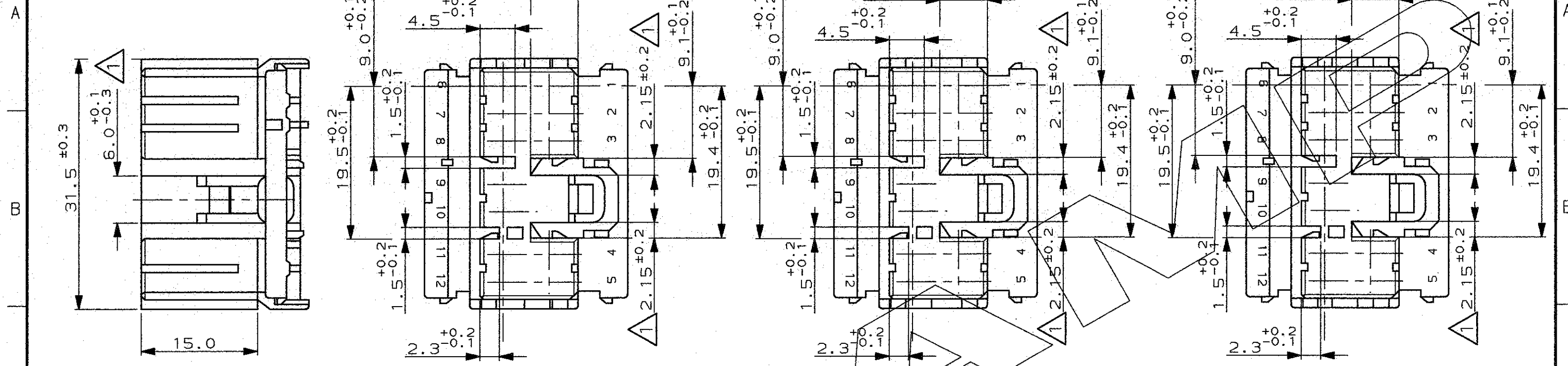
CUSTOMER DWG. FOR REFERENCE ONLY
DISEGNO PER CLIENTE SOLO PER RIFERIMENTO

THIS DRAWING IS UNPUBLISHED - RELEASE FOR PUBLICATION 19

© COPYRIGHT 19 BY AMP INCORPORATED, HARRISBURG, PA. ALL INTERNATIONAL RIGHT RESERVED. AMP PRODUCTS MAY BE COVERED BY U.S. AND FOREIGN PATENT AND/OR PATENT PENDING

D3	REVISED PER ECO-20-003218	AP/VN	08MAY 2020	TOLLERANZE: SE NON DIVERSAMENTE SPECIFICATO (TOLERANCES, UNLESS OTHERWISE SPECIFIED)	DIAM. ISOLANTE (INS. DIA. RANGE)	RANGO FILO (WIRE RANGE)	SCALA (SCALE)
D2	REVISED PER ECR-13-004824	M.G.	26MAR 2013				
D1	REVISED PER ECR-09-027838	M.G.	23-12 2009	ANGOLI (ANGLES)	± 2°	TE Connectivity	
D	REVISED FOR EC ET00-0298-97	M.P.	29-7 97				DIS. M. PALMA (CHK) 29 MAY '97
A	RIDISEGNATO E BENESTARIATO PER PRODUZIONE	M.P.	7-10 93	LOC. SIZE NUMERO (DWG NO)	REV. FOGLIO (SHEET)		
1	AGGIORNATO	R.M.	1-4 93			I A3	D3
0	PRIMA EMISSIONE	L.G.	29-4 92	C-282367	1 DI (OF) 3		
REV.	REVISIONI (REVISION RECORD)	DIS. DATA (DR)	DATA (DATE)				

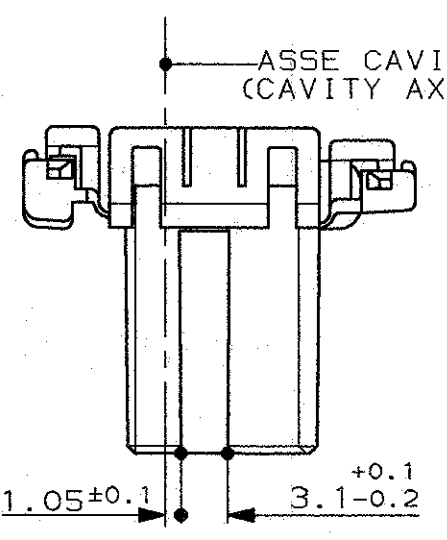
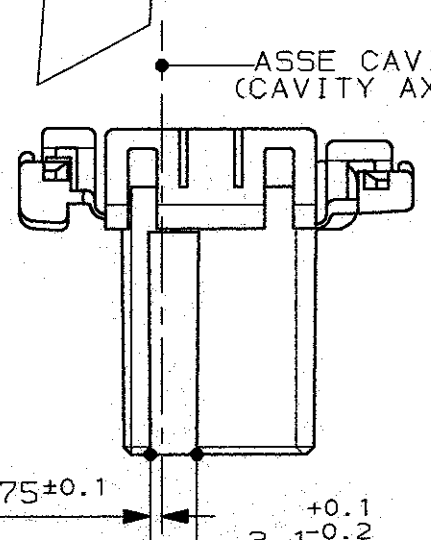
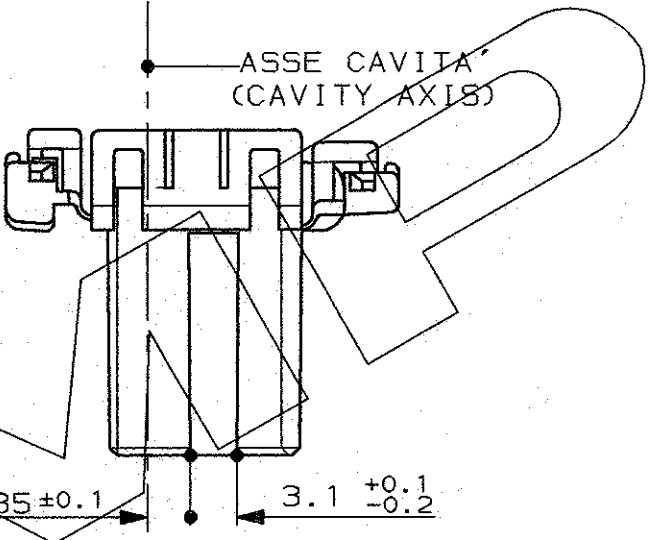
DISTRIBUZIONE (PRINT DIST.)



P/N 282367-2 NERO (BLACK)

P/N 282367-3 BLU (BLUE)

P/N 282367-4 GRIGIO (GREY)



RAPPRESENTAZIONE GRAFICA VERSIONI POLARIZZATE
(DETAIL REPRESENTATION OF POLARIZATION VERSIONS)

1 QUOTA VALIDA PER VERSIONI 282367-2; -3; -4.
(VALID DIMENSION ONLY FOR 282367-2; -3; -4 VERSIONS)

REV.	REVISIONI (REVISION RECORD)	DIS. DATA (DR) (DATE)

COLORE (COLOUR)	MATERIALE (MATERIAL)	NUMERO (PART NUMBER)
CUSTOMER DWG. FOR REFERENCE ONLY	DISEGNO PER CLIENTE SOLO PER RIFERIMENTO	19
THIS DRAWING IS UNPUBLISHED.		RELEASE FOR PUBLICATION
© COPYRIGHT 19 BY AMP INCORPORATED, HARRISBURG, PA. ALL INTERNATIONAL RIGHT RESERVED. AMP PRODUCTS MAY BE COVERED BY U.S. AND FOREIGN PATENT AND/OR PATENT PENDING.		
TOLLERANZE, SE NON DIVERSAMENTE SPECIFICATO (TOLERANCES, UNLESS OTHERWISE SPECIFIED)	DIAM. ISOLANTE (INS. DIA. RANGE)	RANGO FILO (WIRE RANGE)
± 0.3		
ANGOLI (ANGLES)		
± 2°		
DIS. (DR.)	DESCRIZIONE (DESCRIPTION) 070 SERIES MULTILOCK* CONN. PLUG HOUSING 12 POSITION (PORTAFEMMINE) DOUBLE ROW	
CONT. (CHK)	LOC. SIZE NUMERO (DWG NO)	REV. FOGLIO (SHEET)
	I A3 C-282367	D3 2 01 3



SEE SHEET 1 OF 3

SEE SHEET 1 OF 3

DISTRIBUZIONE
(PRINT DIST.)

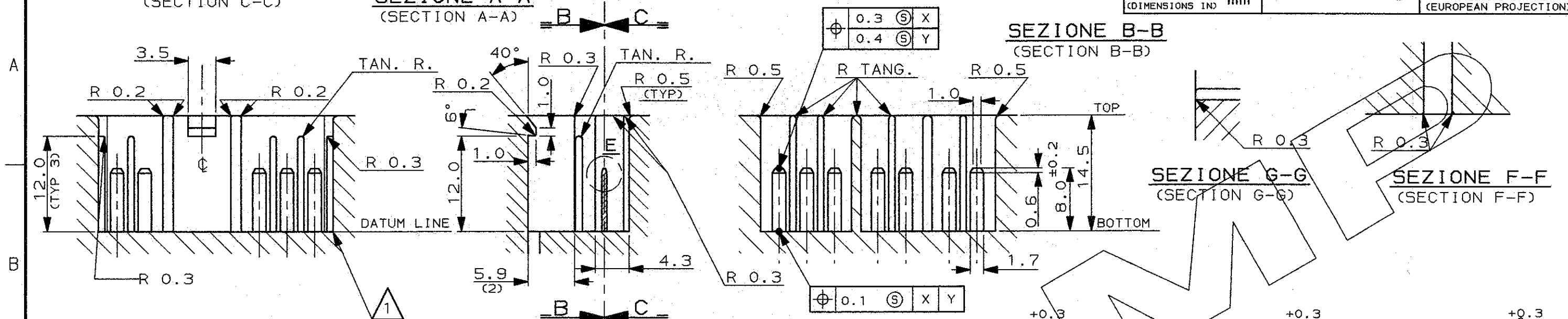
SEZIONE C-C
(SECTION C-C)

SEZIONE A-A
(SECTION A-A)

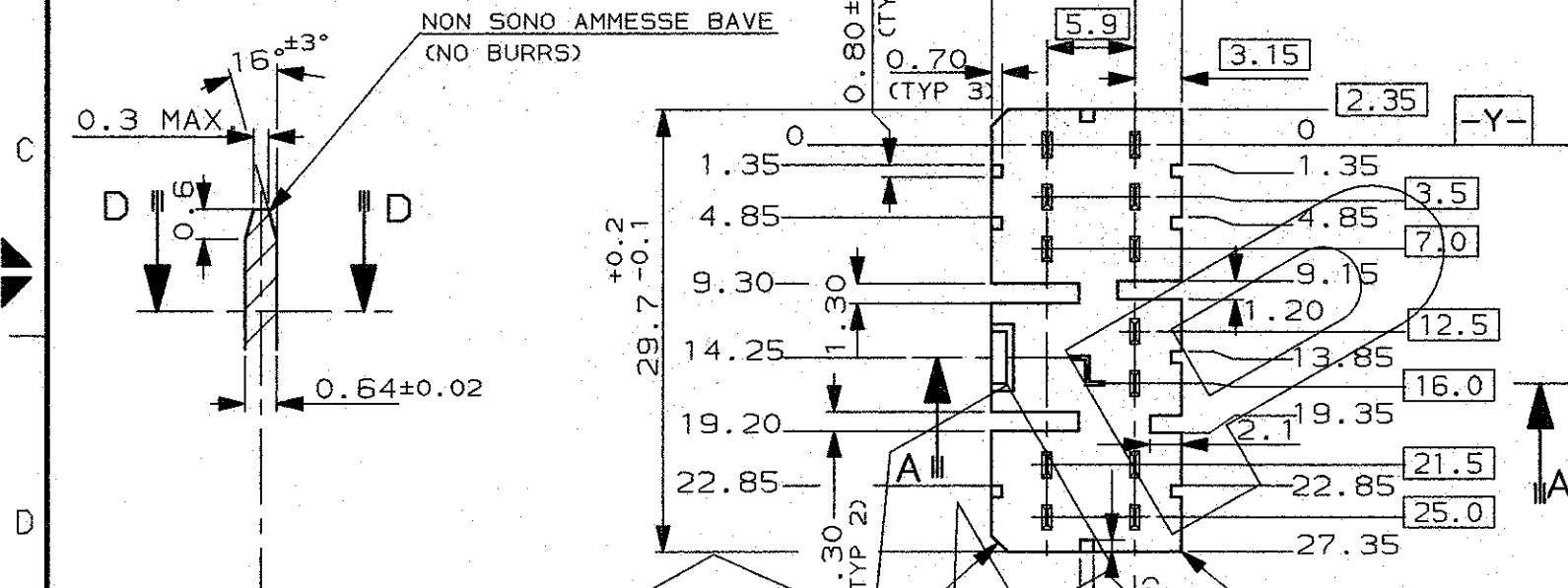
SEZIONE B-B
(SECTION B-B)

SEZIONE G-G
(SECTION G-G)

SEZIONE F-F
(SECTION F-F)



DETTAGLIO "E"
(DETAIL "E")

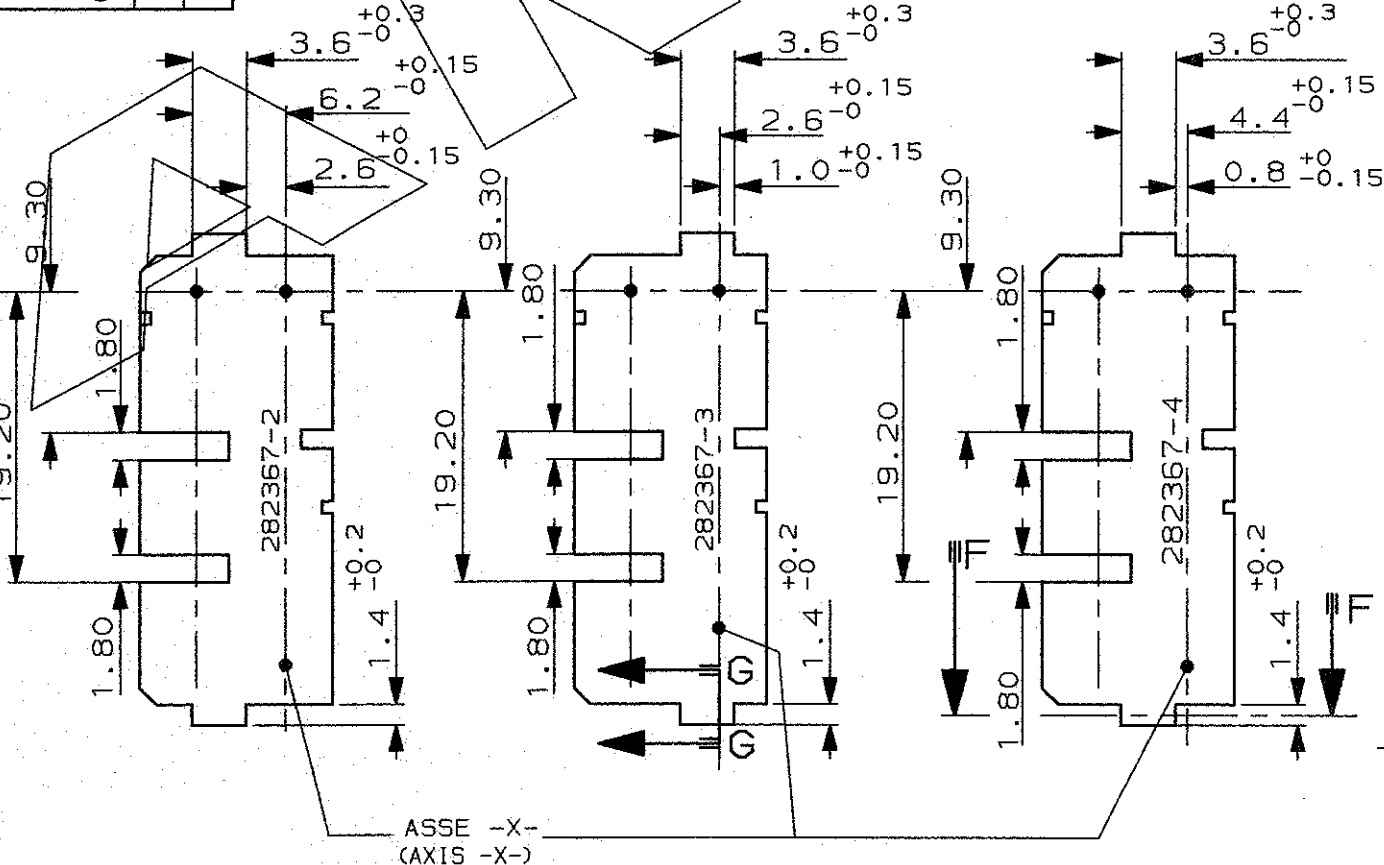


SEZIONE D-D
(SECTION D-D)

CONIARE LE BAVE DI TRANCIATURA
(NO TRIMMING BURRS ADMITABLE)

1) SPIGOLI INTERNI R 0.3 MAX SE NON DIVERSAMENTE INDICATO.
(UNLESS OTHERWISE SPECIFIED R. 0.3 MAX)

2) TAB: OTTONE TEMPRA 4, STAGNATO
(TAB: BRASS TEMPER 4, TIN PLATED)



REV.	REVISIONI (REVISION RECORD)	DIS. DATA (DR) (DATE)	APP. DATA (CHK) (DATE)

COLORE (COLOUR)	MATERIALE (MATERIAL)	NUMERO (PART NUMBER)
CUSTOMER DWG. FOR REFERENCE ONLY	DISEGNO PER CLIENTE SOLO PER RIFERIMENTO	19
THIS DRAWING IS UNPUBLISHED - RELEASE FOR PUBLICATION		19
© COPYRIGHT 19 BY AMP INCORPORATED, HARRISBURG, PA. ALL INTERNATIONAL RIGHT RESERVED. AMP PRODUCTS MAY BE COVERED BY U.S. AND FOREIGN PATENT AND/OR PATENT PENDING		
TOLLERANZE, SE NON DIVERSAMENTE SPECIFICATO (TOLERANCES, UNLESS OTHERWISE SPECIFIED)	DIAM. ISOLANTE (INS. DIA. RANGE)	RANGO FILO (WIRE RANGE)
0 DEC. PLACE ±0.3 1 DEC. PLACE ±0.1 2 DEC. PLACE ±0.05		
ANGOLI (ANGLES) 0° 30'		
DIS. (DR.)	DESCRIZIONE (DESCRIPTION) 070 SERIES MULTILOCK* CONN. PLUG HOUSING 12 POSITION (DIMA DI MONTAGGIO)	
CONT. (CHK)	LOC. SIZE NUMERO (DWG NO)	REV. FOGLIO (SHEET)
	I A3 C-282367	D3 3 DI 3

DISTRIBUZIONE
(PRINT DIST.)

X-ON Electronics

Largest Supplier of Electrical and Electronic Components

Click to view similar products for [Headers & Wire Housings](#) category:

Click to view products by [TE Connectivity](#) manufacturer:

Other Similar products are found below :

[892-18-020-10-001101](#) [58102-G61-06LF](#) [582553-1](#) [0009485154](#) [009176003701906](#) [0050291907](#) [LY20-4P-DT1-P1E-BR](#) [02.125.8002.8](#)
[609-3404](#) [61062-3](#) [61082-181009](#) [622-3653LF](#) [63453-116](#) [636-1030](#) [636-1427](#) [636-3427](#) [636-4007](#) [641938-9](#) [641991-4](#) [644827-2](#) [65817-](#)
[010LF](#) [65817-015LF](#) [65863-015LF](#) [66207-023LF](#) [67095-007LF](#) [67601157](#) [68645-018](#) [68648-049](#) [70.362.1628.0](#) [70-4210](#) [70-4226B](#) [70-](#)
[4853B](#) [707-5020](#) [707-5028](#) [71.350.2428.0](#) [71918-208LF](#) [71961-016LF](#) [733-134](#) [733-162](#) [754199-000](#) [760-3052](#) [787-8014-00](#) [79531-3000](#)
[FCN-360C032-B](#) [FCN-367T-T012/H](#) [FCN-723D010/2](#) [80.063.4001.1](#) [800-90-001-10-001000](#) [800-90-010-10-002000](#) [801-43-002-10-013000](#)