

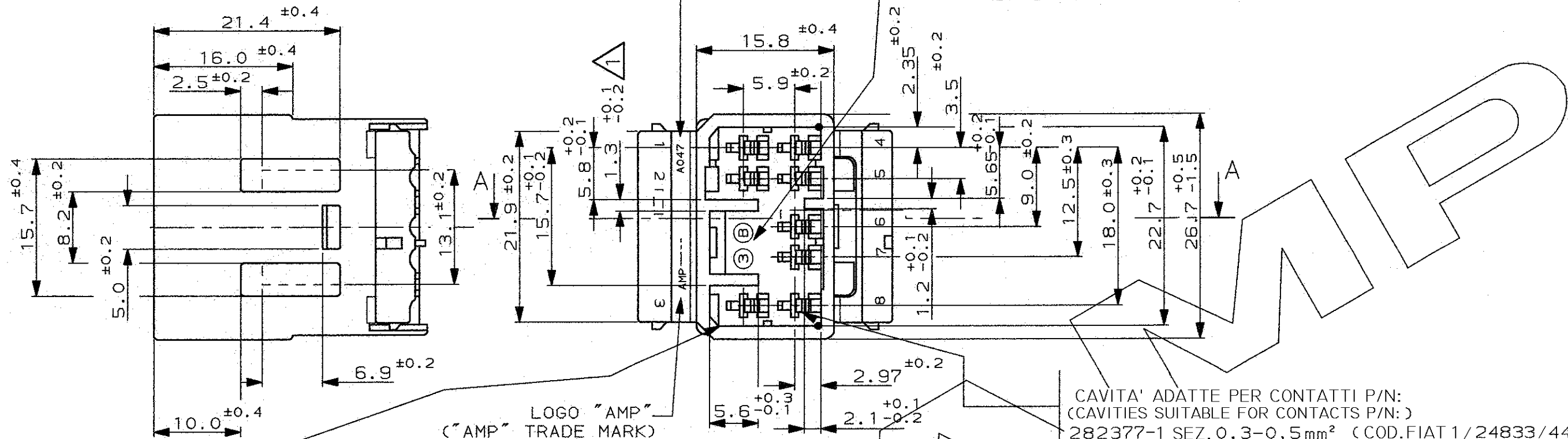
CODICE FORNITORE "A 047"
(SUPPLIER CODE "A 047")

DATARIO
(DATE CODE)

SCALA NON IMPEGNATIVA
(DO NOT SCALE)
DIMENSIONI IN mm
(DIMENSIONS IN mm)

METRIC

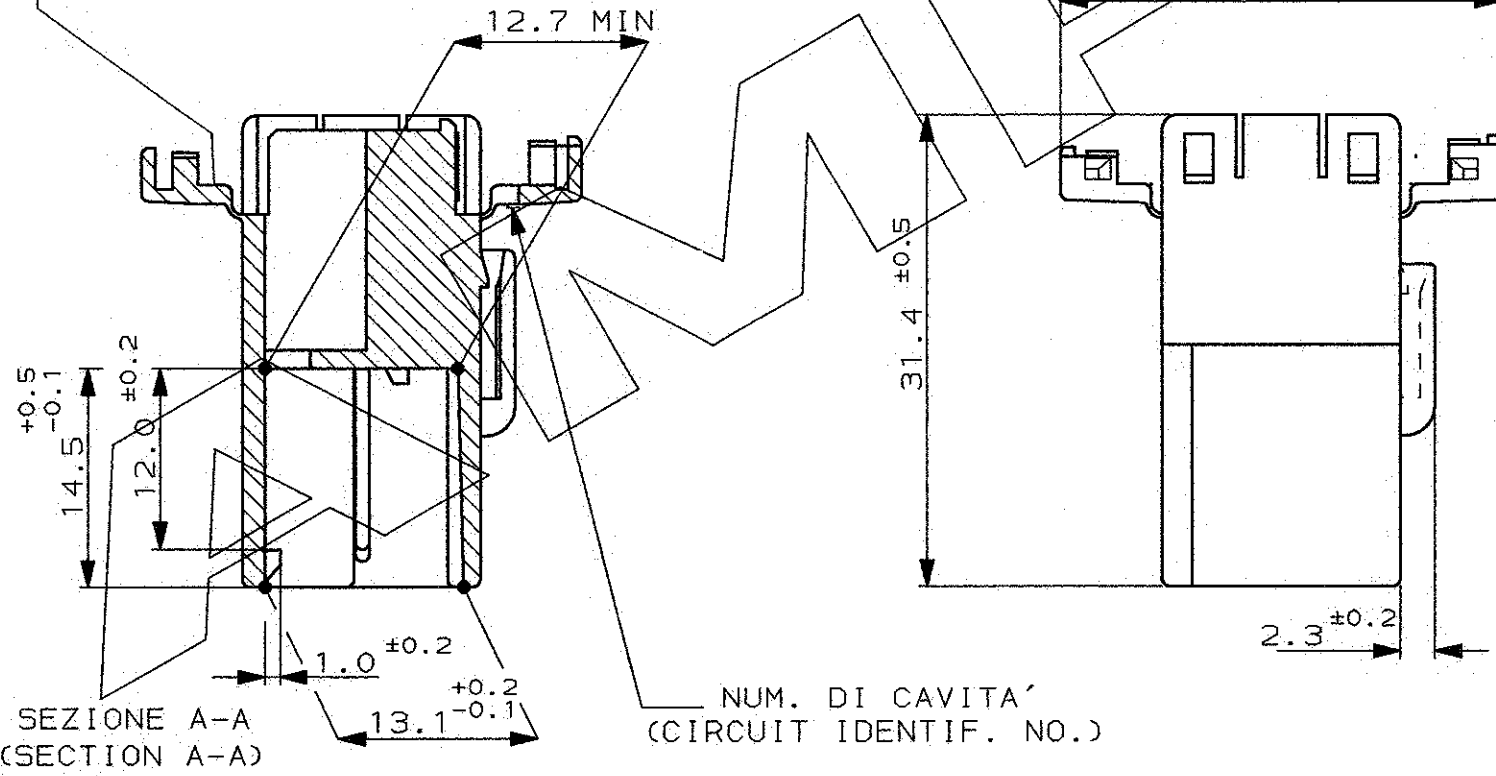
PROIEZIONE EUROPEA
(EUROPEAN PROJECTION)



PER DETTAGLIO POLARIZZAZIONI VEDERE FOGLIO 2 DI 2
PER P/NS CONTROPARTI PORTAFEMMINA, VEDERE TABELLA
(FOR POLARIZATION DETAIL SEE SHEET 2 OF 2
FOR COUNTERPART CAP HSG.P/NS SEE THE TABLE).

CAVITA' ADATTE PER CONTATTI P/N:
(CAVITIES SUITABLE FOR CONTACTS P/N:)
282377-1 SEZ. 0.3-0.5mm² (COD.FIAT 1/24833/44)
282378-1 SEZ. 0.75-1.5mm² (COD.FIAT 1/24832/44)

NO. IMPRON. STAMPO
(MOULD CAVITY IDENTIF. NO.)



1 QUOTA VALIDA PER VERSIONE 282370-1
(VALID DIMENSION ONLY FOR P/N 282370-1)

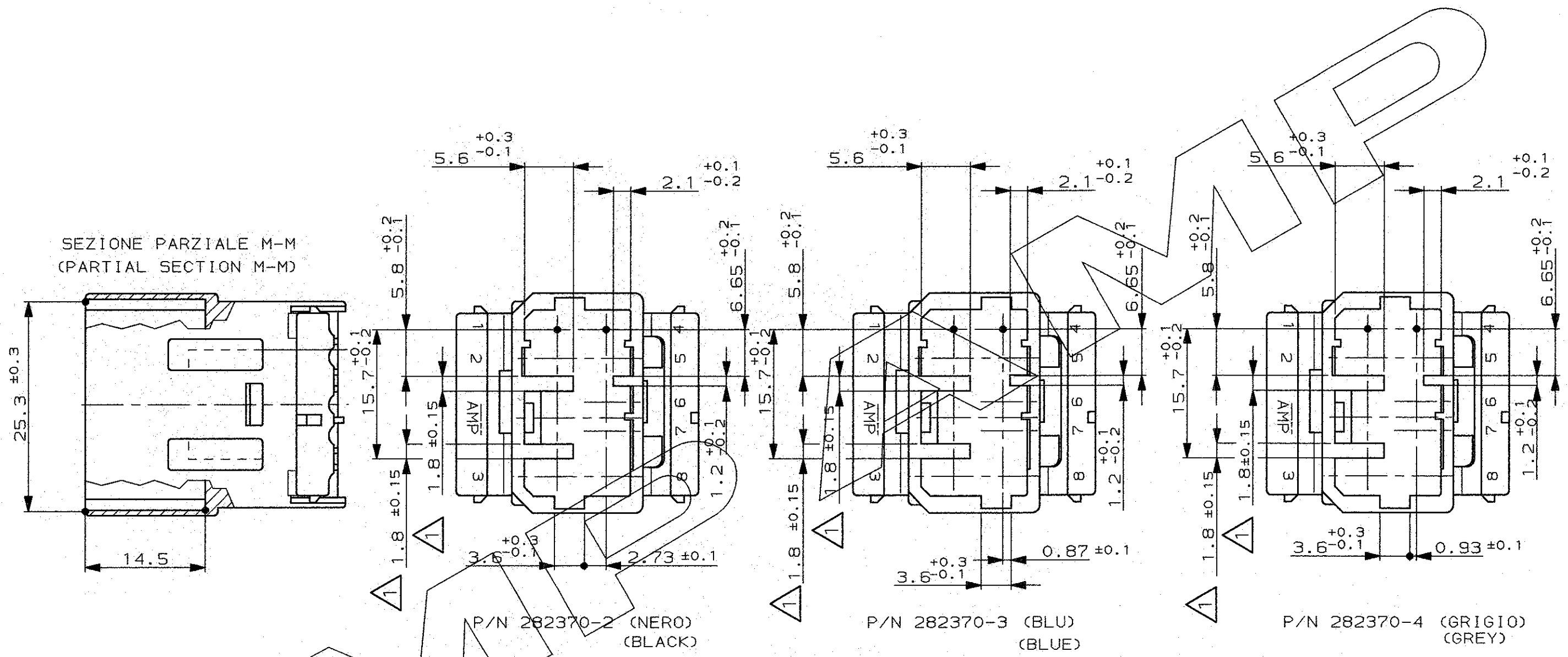
PORTAFEMMINA VOLANTE (PLUG HOUSING)	COLORE (COLOUR)	MATERIALE (MATERIAL)	NUMERO (PART NUMBER)
282366-4	GRIGIO (GREY)	PBT (PBT UNFILLED)	282370-4
282366-3	BLU (BLUE)		282370-3
282366-2	NERO (BLACK)		282370-2
282366-1	BIANCO (NATURAL)		282370-1

CUSTOMER DWG. FOR REFERENCE ONLY		DISEGNO PER CLIENTE SOLO PER RIFERIMENTO	
THIS DRAWING IS UNPUBLISHED		RELEASE FOR PUBLICATION	
© COPYRIGHT 19 BY AMP INCORPORATED, HARRISBURG, PA. ALL INTERNATIONAL RIGHT RESERVED. AMP PRODUCTS MAY BE COVERED BY U.S. AND FOREIGN PATENT AND/OR PATENT PENDING			
TOLLERANZE: SE NON DIVERSAMENTE SPECIFICATO	DIAM. ISOLANTE (INS. DIA. RANGE)	RANGO FILO (WIRE RANGE)	SCALA (SCALE)
(TOLERANCES, UNLESS OTHERWISE SPECIFIED)			2:1
C2 REVISED PER ECR-13-004824	M.G. 26MAR 2013	± 0.3	STE TE Connectivity
C1 REVISED FOR EC ET00-0298-97	A.B. 29-7 97	ANGOLI (ANGLES) ± 2°	
C RELEASED AND REVISED FOR ET00-0215-97	M.P. 19-5 97	DIS. GIORDANINO (COR.) 29 APR 92	DESCRIZIONE (DESCRIPTION) 070 SERIES MULTILOCK* CONN. CAP HOUSING 8 POSITION (PORTAMASCHI) DOUBLE ROW
2 AGG. CODICE FIAT	R.M. 25-10 93	CONT. C. TARTARI (CHK) 25-10-93	LOC. SIZE NUMERO (DWG NO)
1 AGGIORNATO	R.M. 1-4 93	APP. DATA (APP. DATE)	I A3 C-282370
REV. REVISIONI (REVISION RECORD)	DIS. DATA (COR DATE)	APP. DATA (APP. DATE)	REV. FOGLIO (SHEET) C2 1 DI (OF) 2

DISTRIBUZIONE (PRINT DIST.)

RAPPRESENTAZIONE GRAFICA VERSIONI POLARIZZATE
(DETAIL REPRESENTATION OF POLARIZATION VERSIONS)

A
B
C
D
E



1 QUOTA VALIDA PER VERSIONI 282370-2; -3; -4
(VALID DIMENSION ONLY FOR 282370-2; -3; -4 VERSIONS)

CUSTOMER DWG. FOR REFERENCE ONLY		DISEGNO PER CLIENTE SOLO PER RIFERIMENTO	
THIS DRAWING IS UNPUBLISHED		RELEASE FOR PUBLICATION	
© COPYRIGHT 19 BY AMP INCORPORATED, HARRISBURG, PA. ALL INTERNATIONAL RIGHT RESERVED. AMP PRODUCTS MAY BE COVERED BY U.S. AND FOREIGN PATENT AND/OR PATENT PENDING			
TOLLERANZE, SE NON DIVERSAMENTE SPECIFICATO (TOLERANCES, UNLESS OTHERWISE SPECIFIED)		DIAM. ISOLANTE (INS. DIA. RANGE)	RANGO FILO (WIRE RANGE)
± 0.3		SCALA (SCALE) 2:1	
ANGOLI (ANGLES) ± 2°		STE TE Connectivity	
DIS. (DR.)			
CONT. (CHK)		LOC. SIZE NUMERO (DWG NO)	REV. FOGLIO (SHEET)
APP. (APP.)		I A3 C-282370	02 2 DI (OF) 2
REV.	REVISIONI (REVISION RECORD)	DIS. DATA (DR) (DATES)	

DISTRIBUZIONE
(PRINT DIST.)

X-ON Electronics

Largest Supplier of Electrical and Electronic Components

Click to view similar products for [Automotive Connectors](#) category:

Click to view products by [TE Connectivity](#) manufacturer:

Other Similar products are found below :

[003-018-000](#) [60403001](#) [60993906-B](#) [M902-2131](#) [M902-2161](#) [72.330.1035.1](#) [73.353.4028.0](#) [F119300-B](#) [F166900](#) [F258300-B](#) [F358300-B](#)
[F407400](#) [F444110](#) [F487000](#) [F509500B-B](#) [827153-1](#) [8N1515-32-24P](#) [9-1326729-8](#) [925474-1](#) [928905-1](#) [964562-4](#) [968782-1](#) [GT17SA-8DS-](#)
[HU](#) [98891-1012](#) [98947-1016](#) [12004147](#) [12004475-L](#) [12010290](#) [12010309-B](#) [12015454](#) [12020219-B](#) [12020308](#) [12041318-B](#) [12052225-L](#)
[12052466](#) [12059125](#) [12064869](#) [12004327-B](#) [12010503-B](#) [12015308](#) [12015384](#) [12015909](#) [1-21030-1](#) [12041254](#) [12041318](#) [12047946-B](#)
[12047957](#) [12047957-L](#) [12059473](#) [12066261](#)