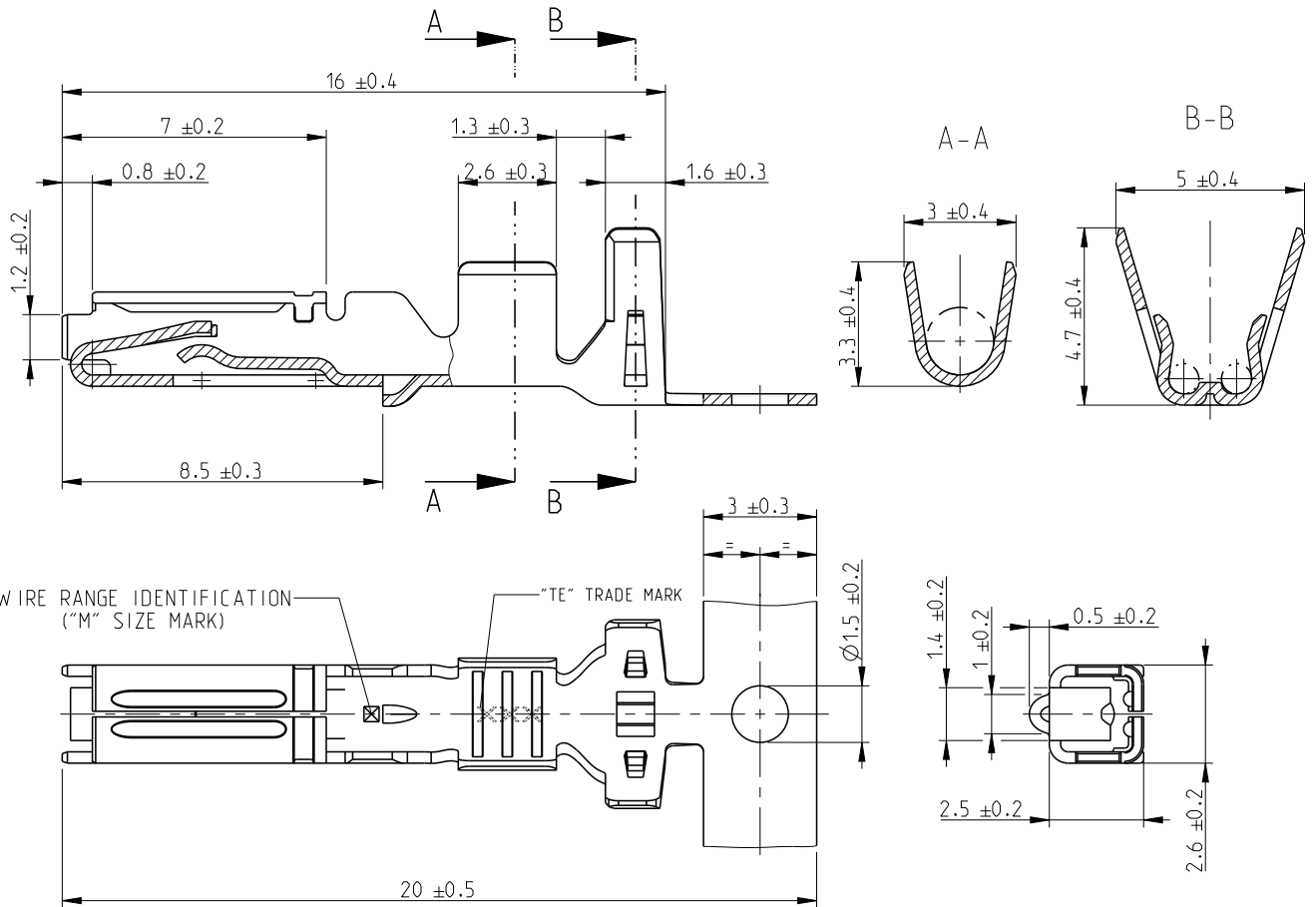


REVISIONS					
P	LTR	DESCRIPTION	DATE	DWN	APVD
	A2	Redrawn to Creo	07MAR2017	JJH	JP



1. DELIVERY STATE: ITEM IS SUPPLIED REELED ON CARTON REEL WITH STRIP PITCH = 11.9 ± 0.2 mm
 STATO DI FORNITURA: AVVOLTI SU BOBINA CON PASSO TRA TERMINALI DI = 11.9 ± 0.2 mm

CUSTOMER DRAWING FOR INFORMATION ONLY
 DISEGNO PER CLIENTE SOLO PER RIFERIMENTO



THIS DRAWING IS UNPUBLISHED. BY - COPYRIGHT 20
 ALL RIGHTS RESERVED.

INS. DIA. RANGE (DIAM. ISOLANTE)	WIRE RANGE (RANGO FILO)
$\phi 2.1 - 2.4$ mm	0.75 - 1.5mm ²

PRE-TIN (PRE-STAGNATO)	BRASS (OTTONE)	282375-1
FINISH/COLOUR (FINITURE/COLORE)	MATERIAL (MATERIALE)	PART NUMBER

DIMENSIONS:	DWN	03JUN1993
mm	R. MARTINI	
TOLERANCES UNLESS OTHERWISE SPECIFIED:	CHK	04JUN1993
	C. TARTARI	
	APVD	-
	PRODUCT SPEC	108-20159
	APPLICATION SPEC	114-20056
	WEIGHT	-

MATERIAL	FINISH	
TE Connectivity		
NAME: MULTILOCK .070 SRS REC. CONTACT FOR NEW GENERATION CONNECTOR		
SIZE	CAGE CODE	DRAWING NO
A 4	-	C=282375
CUSTOMER DRAWING		RESTRICTED TO
SCALE 5:1		SHEET 1 OF 1
		REV A2

X-ON Electronics

Largest Supplier of Electrical and Electronic Components

Click to view similar products for [Automotive Connectors](#) category:

Click to view products by [TE Connectivity](#) manufacturer:

Other Similar products are found below :

[003-018-000](#) [60403001](#) [60993906-B](#) [M902-2131](#) [M902-2161](#) [72.330.1035.1](#) [73.353.4028.0](#) [F119300-B](#) [F166900](#) [F258300-B](#) [F358300-B](#)
[F407400](#) [F444110](#) [F487000](#) [F509500B-B](#) [827153-1](#) [8N1515-32-24P](#) [9-1326729-8](#) [925474-1](#) [928905-1](#) [964562-4](#) [968782-1](#) [GT17SA-8DS-](#)
[HU](#) [98891-1012](#) [98947-1016](#) [12004147](#) [12004475-L](#) [12010290](#) [12010309-B](#) [12015454](#) [12020219-B](#) [12020308](#) [12041318-B](#) [12052225-L](#)
[12052466](#) [12059125](#) [12064869](#) [12004327-B](#) [12010503-B](#) [12015308](#) [12015384](#) [12015909](#) [1-21030-1](#) [12041254](#) [12041318](#) [12047946-B](#)
[12047957](#) [12047957-L](#) [12059473](#) [12066261](#)