

THIS DRAWING IS UNPUBLISHED.

RELEASED FOR PUBLICATION

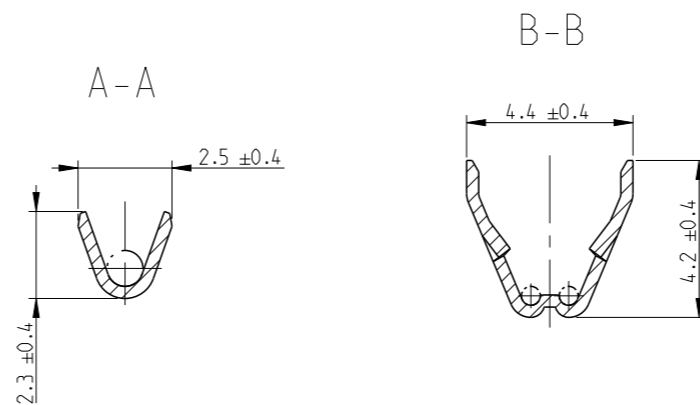
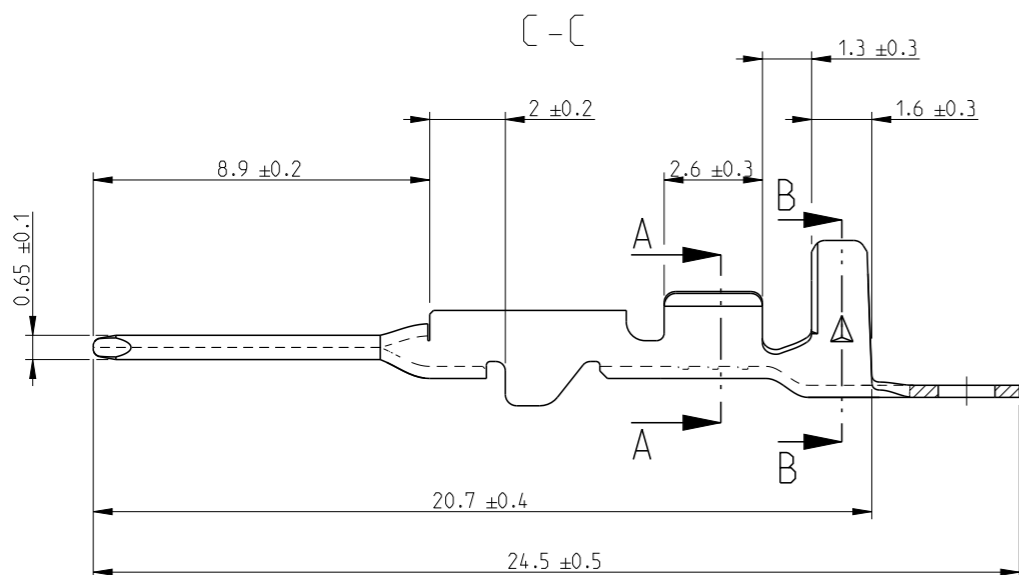
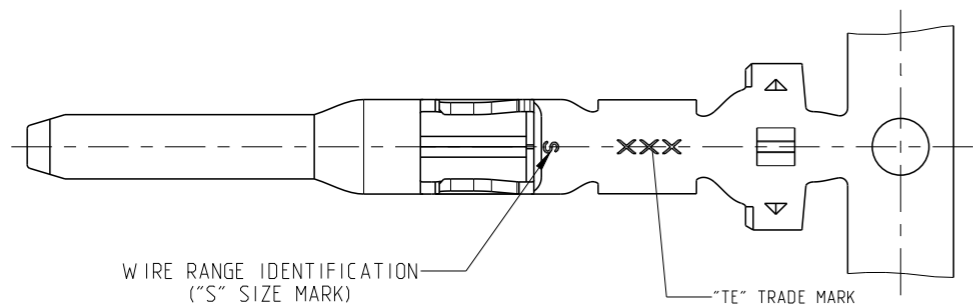
20

© COPYRIGHT 20 BY -

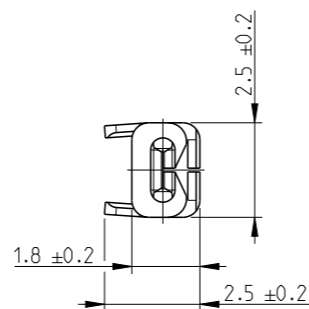
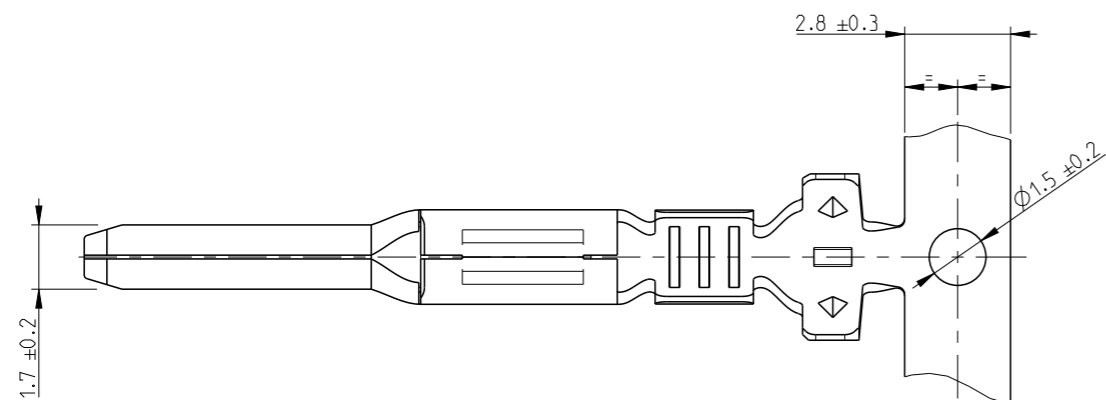
ALL RIGHTS RESERVED.

REVISIONS

| P | LTR | DESCRIPTION              | DATE       | DWN | APVD |
|---|-----|--------------------------|------------|-----|------|
|   | A   | IN PRODUCTION            |            | R.M |      |
|   | A1  | REVISED FOR ET00-0402-97 | 15-10-1997 | M.P |      |
|   | A2  | REDRAWN TO CREO          | 13APR2017  | VH  | JP   |



1. DELIVERY STATE: ITEM IS SUPPLIED REELED ON CARTON REEL WITH STRIP PITCH = 11.9±0.2mm  
 STATO DI FORNITURA: AVVOLTI SU BOBINA CON PASSO TRA TERMINALI DI = 11.9±0.2mm



CUSTOMER DRAWING FOR INFORMATION ONLY  
 DISEGNO PER CLIENTE SOLO PER RIFERIMENTO

|                                |                      |             |
|--------------------------------|----------------------|-------------|
| PRE-TIN (PRE-STAGNATO)         | BRASS (OTTONE)       | 282377-1    |
| FINISH/COLOR (FINITURE/COLORE) | MATERIAL (MATERIALE) | PART NUMBER |

THIS DRAWING IS A CONTROLLED DOCUMENT.

DWN R. MARTINI 22SEP1992

CHK C. TARTARI 24SEP1992

APVD -

PRODUCT SPEC 108-20159

APPLICATION SPEC 114-20057

WEIGHT -

CUSTOMER DRAWING

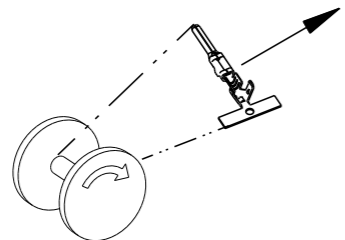


NAME .070 SERIES MULTILOCK TAB CONTACT

|         |             |                     |                 |
|---------|-------------|---------------------|-----------------|
| SIZE A3 | CAGE CODE - | DRAWING NO C=282377 | RESTRICTED TO - |
|---------|-------------|---------------------|-----------------|

SCALE 5:1 SHEET 1 OF 1 REV A2

DIRECTION OFF TOP OF REEL  
 SENSO DI USCITA DALLA BOBINA



|                                  |                          |
|----------------------------------|--------------------------|
| INS. DIA. RANGE (DIAM. ISOLANTE) | WIRE RANGE (RANGO FILO)  |
| Ø1.4 - 1.9mm                     | 0.3 - 0.5mm <sup>2</sup> |

|                |   |
|----------------|---|
| DIMENSIONS: mm | TOLERANCES UNLESS OTHERWISE SPECIFIED:              |
|                | 0 PLC ±<br>1 PLC ±<br>2 PLC ±<br>3 PLC ±<br>4 PLC ± |
|                | ±0.3  |
|                | ANGLES ±2°  |
| MATERIAL -     | FINISH -  |

## X-ON Electronics

Largest Supplier of Electrical and Electronic Components

*Click to view similar products for [Automotive Connectors](#) category:*

*Click to view products by [TE Connectivity](#) manufacturer:*

Other Similar products are found below :

[003-018-000](#) [600858](#) [60403001](#) [60993906-B](#) [60993913-B](#) [629515004020001](#) [M83723/71R1808N L/C](#) [M902-2131](#) [M902-2161](#) [M902-2344](#)  
[72.330.1035.1](#) [73.353.4028.0](#) [F118010](#) [F119300-B](#) [F132210](#) [F166900](#) [F180100](#) [F258300](#) [F258300-B](#) [F294300-B](#) [F339100](#) [F339700](#)  
[F358300-B](#) [F374110](#) [F407400](#) [F412210](#) [F444110](#) [F487000](#) [F495100](#) [F500900-B](#) [F509500B-B](#) [770444-1](#) [827153-1](#) [881735-1](#)  
[8N1515-32-24P](#) [9-1326729-8](#) [925467-1](#) [925474-1](#) [928905-1](#) [936398-2](#) [964562-4](#) [964731-2](#) [968782-1](#) [GT17SA-8DS-HU](#) [GT17VS-10DP-](#)  
[5.2CF](#) [98315-0001](#) [98315-0010](#) [98891-1012](#) [98895-2014](#) [98936-1039](#)