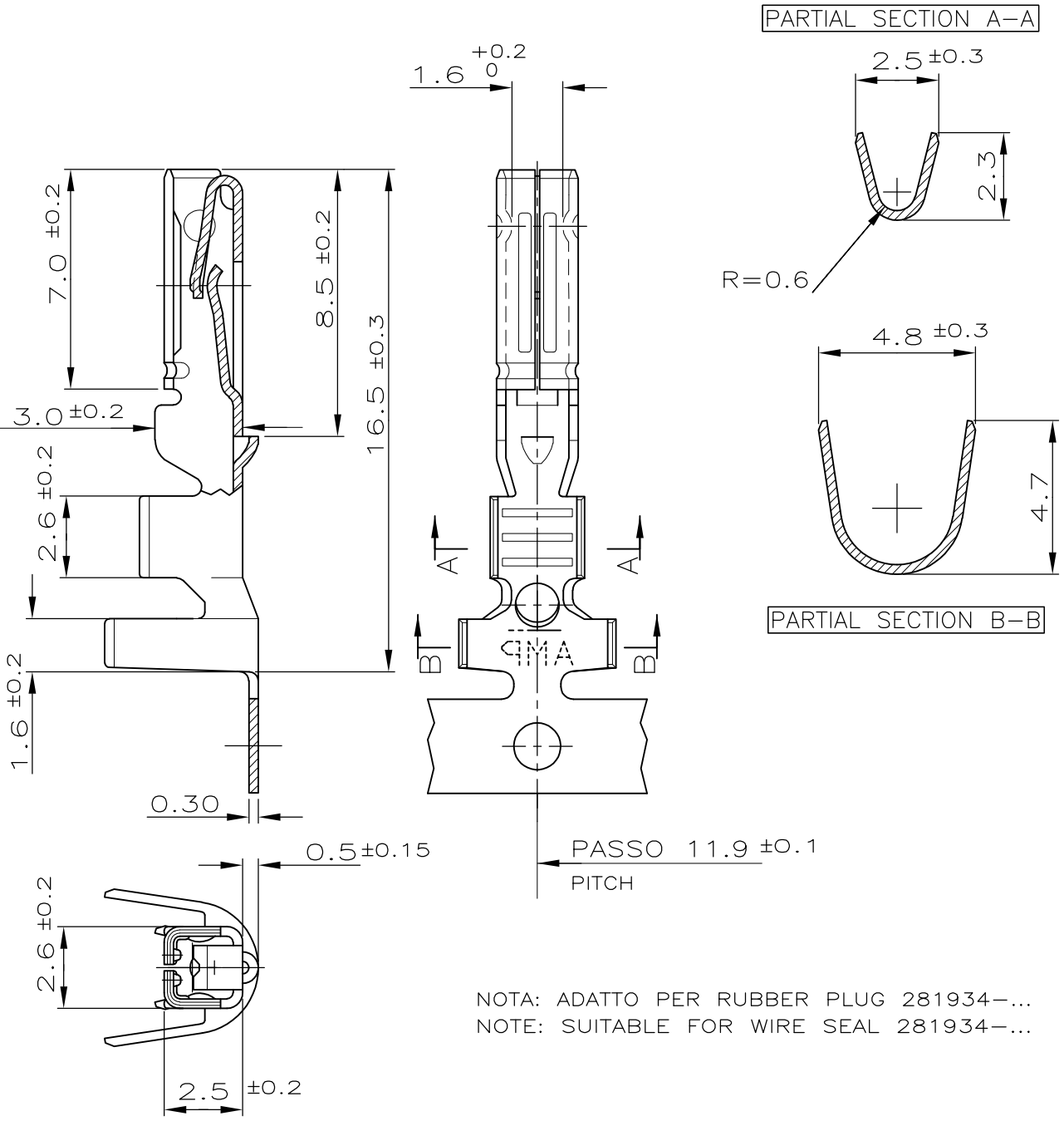


|     |      |           |     |                           |        |     |      |
|-----|------|-----------|-----|---------------------------|--------|-----|------|
| LOC | DIST | REVISIONS |     |                           |        |     |      |
| I   | —    | P         | LTR | DESCRIPTION               | DATE   | DWN | APVD |
|     |      |           | B1  | REVISED PER ECO-11-005033 | 2APR11 | RK  | HMR  |



NOTA: ADATTO PER RUBBER PLUG 281934-...  
 NOTE: SUITABLE FOR WIRE SEAL 281934-...

|                                  |                         |  |                        |                      |
|----------------------------------|-------------------------|--|------------------------|----------------------|
| CUSTOMER DWG. FOR REFERENCE ONLY |                         | DISEGNO PER CLIENTE SOLO PER RIFERIMENTO |                        |                      |
| DIAM. ISOLANTE (INS. DIA. RANGE) | RANGO FILO (WIRE RANGE) | PRE-STAGNATO / PRE-TIN                   | BRONZO FOSF./PH.BRONZE | 282403-1             |
| SEE NOTE                         | 0.35-0.5mm <sup>2</sup> | FINITURA / COLORE (FINISH / COLOUR)      | MATERIALE (MATERIAL)   | NUMERO (PART NUMBER) |

|  |                  |      |                                    |           |            |               |
|--|------------------|------|------------------------------------|-----------|------------|---------------|
| DIMENSIONS:<br>mm  | DWN              | 6-92 | MATERIAL                           | FINISH    |            |               |
|  | C.BERTINI        |      |                                    |           |            |               |
| TOLERANCES UNLESS OTHERWISE SPECIFIED:   | CHK              | 6-92 | TE Connectivity                    |           |            |               |
|  | A.BRUNI          |      |                                    |           |            |               |
| 0 PLC ± -<br>1 PLC ± 0.3<br>2 PLC ± -<br>3 PLC ± -<br>4 PLC ± -<br>ANGLES ± 2° | APVD             | -    | NAME<br>MINI MIC SRS. REC. CONTACT |           |            |               |
|  | PRODUCT SPEC     | -    |                                    |           |            |               |
|  | APPLICATION SPEC | -    | SIZE                               | CAGE CODE | DRAWING NO | RESTRICTED TO |
|  | WEIGHT           | -    | A4                                 | 00779     | 282403     | -             |
| CUSTOMER DRAWING   |                  |      | SCALE                              | SHEET     | REV        |               |
|  |                  |      | 5:1                                | 1 OF 1    | B1         |               |

RELEASED FOR PUBLICATION

ALL RIGHTS RESERVED.

THIS DRAWING IS UNPUBLISHED.

COPYRIGHT - By -

## X-ON Electronics

Largest Supplier of Electrical and Electronic Components

*Click to view similar products for [Automotive Connectors](#) category:*

*Click to view products by [TE Connectivity](#) manufacturer:*

Other Similar products are found below :

[003-018-000](#) [60403001](#) [60993906-B](#) [M902-2131](#) [M902-2161](#) [72.330.1035.1](#) [73.353.4028.0](#) [F119300-B](#) [F166900](#) [F258300-B](#) [F358300-B](#)  
[F407400](#) [F444110](#) [F487000](#) [F509500B-B](#) [827153-1](#) [8N1515-32-24P](#) [9-1326729-8](#) [925474-1](#) [928905-1](#) [964562-4](#) [968782-1](#) [GT17SA-8DS-](#)  
[HU](#) [98891-1012](#) [98947-1016](#) [12004147](#) [12004475-L](#) [12010290](#) [12010309-B](#) [12015454](#) [12020219-B](#) [12020308](#) [12041318-B](#) [12052225-L](#)  
[12052466](#) [12059125](#) [12064869](#) [12004327-B](#) [12010503-B](#) [12015308](#) [12015384](#) [12015909](#) [1-21030-1](#) [12041254](#) [12041318](#) [12047946-B](#)  
[12047957](#) [12047957-L](#) [12059473](#) [12066261](#)