

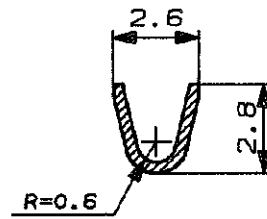
FOR AMP DO BRASIL ONLY

SCALA NON IMPEGNATIVA
(DO NOT SCALE)
DIMENSIONI IN mm
(DIMENSIONS IN mm)

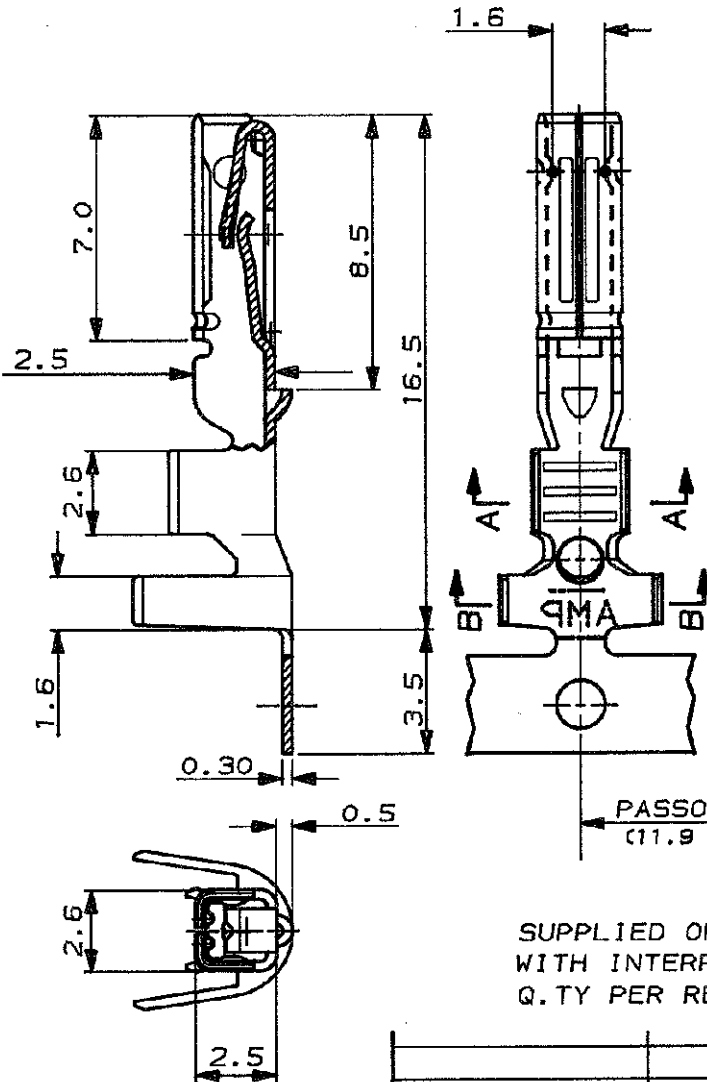
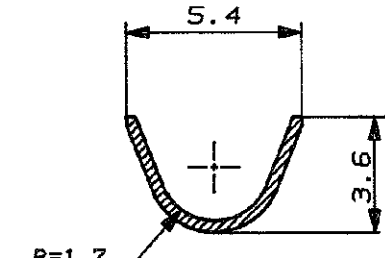
METRIC

PROIEZIONE EUROPEA
(EUROPEAN PROJECTION)

PART. SECT. A-A



PART. SECT. B-B



DIR. OFF TOP OF REEL

PASSO 11.9
(11.9 PITCH)

SUPPLIED ON 24'DIA CARTON REEL
WITH INTERPOSED PAPER STRIP
Q.TY PER REEL: 3500

| | | |
|----------------------------------------|---------------------------|-------------------------|
| PRE-STAGNATO (PRE-TIND) | BRONZO FOSF. (PH. BR.) | 282438-1 |
| FINITURA / COLORE (FINISH / COLOUR) | MATERIALE (MATERIAL) | NUMERO (PART NUMBER) |

CUSTOMER DWG.
FOR REFERENCE ONLY

DISEGNO PER CLIENTE
SOLO PER RIFERIMENTO

THIS DRAWING IS UNPUBLISHED RELEASE FOR PUBLICATION 1990

© COPYRIGHT 1990 BY AMP INCORPORATED, HARRISBURG, PA. ALL INTERNATIONAL RIGHT RESERVED. AMP PRODUCTS MAY BE COVERED BY U.S. AND FOREIGN PATENT AND/OR PATENT PENDING.

| | | | |
|---------------------------------------------------------------------------------------------|-------------------------------------|----------------------------|------------------|
| TOLLERANZE, SE NON DIVERSAMENTE SPECIFICATO TOLERANCES, UNLESS OTHERWISE SPECIFIED | DIAM. ISOLANTE (INS. DIA. RANGE) | RANGO FILO (WIRE RANGE) | SCALA (SCALE) |
| ± 0.3 | | 0.5-1.0mm ² | NO |

ANGOLI
(ANGLES) ± 2°

AMP

AMP ITALIA S.p.A.
Corso F.lli Cervi, 15
COLLENO (TORINO)

DIS. C. BERTINI
(DR.) 1-07-92

DESCRIZIONE
(DESCRIPTION)

MINI MIC SRS REC. CONTACT

| | | | | |
|--------------------------------|------|--------------------------------|-------------------------|----------|
| DISTRIBUZIONE (PRINT DIST.) | A | IN PRODUCTION | A. B. | 30-10-92 |
| | 2 | UP-DATED | A. B. | 1-8-92 |
| | 1 | WAS C-92-51192 | A. B. | 21-7-92 |
| | REV. | REVISIONI (REVISION RECORD) | DIS. DATA (DR. DATE) | |

| | | | | |
|------|------|---------------------|------|------------------|
| LOC. | SIZE | NUMERO (CDSG NO) | REV. | FOLIO (SHEET) |
| I | A4 | C-282438 | A | 1 DI 1 |

X-ON Electronics

Largest Supplier of Electrical and Electronic Components

Click to view similar products for [Automotive Connectors](#) category:

Click to view products by [TE Connectivity](#) manufacturer:

Other Similar products are found below :

[003-018-000](#) [60403001](#) [60993906-B](#) [M902-2131](#) [M902-2161](#) [72.330.1035.1](#) [73.353.4028.0](#) [F119300-B](#) [F166900](#) [F258300-B](#) [F358300-B](#)
[F407400](#) [F444110](#) [F487000](#) [F509500B-B](#) [827153-1](#) [8N1515-32-24P](#) [9-1326729-8](#) [925474-1](#) [928905-1](#) [964562-4](#) [968782-1](#) [GT17SA-8DS-](#)
[HU](#) [98891-1012](#) [98947-1016](#) [12004147](#) [12004475-L](#) [12010290](#) [12010309-B](#) [12015454](#) [12020219-B](#) [12020308](#) [12041318-B](#) [12052225-L](#)
[12052466](#) [12059125](#) [12064869](#) [12004327-B](#) [12010503-B](#) [12015308](#) [12015384](#) [12015909](#) [1-21030-1](#) [12041254](#) [12041318](#) [12047946-B](#)
[12047957](#) [12047957-L](#) [12059473](#) [12066261](#)