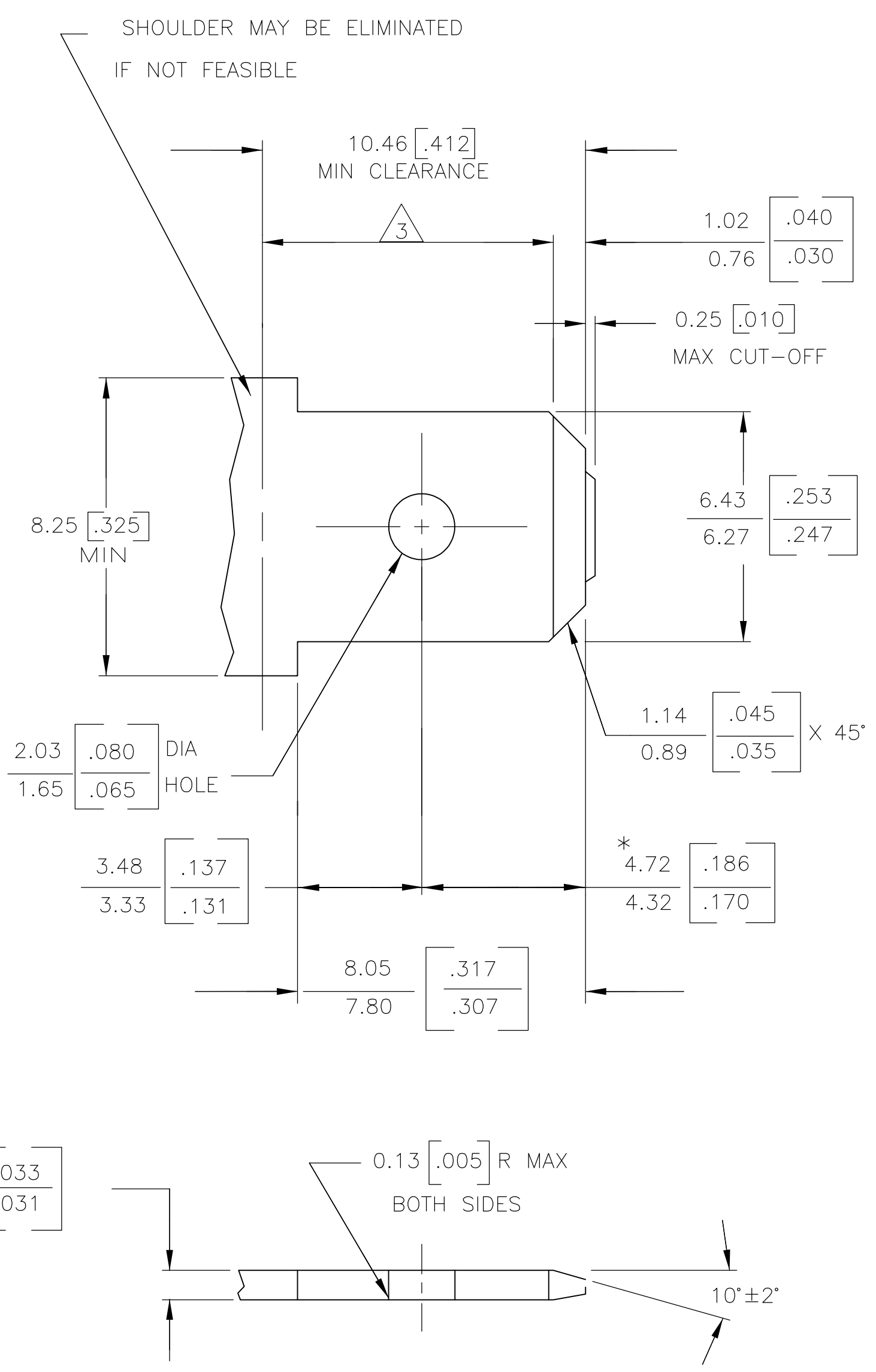
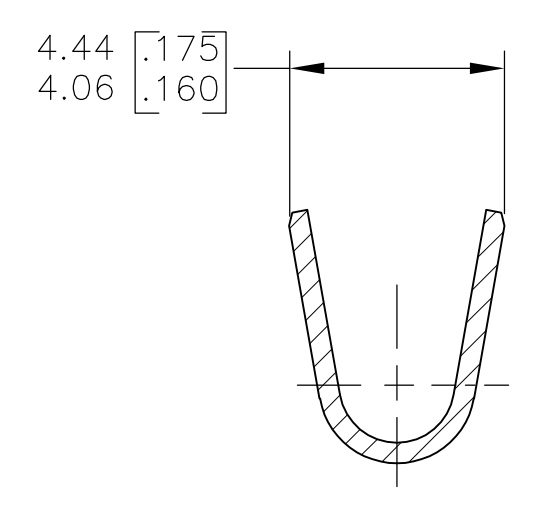
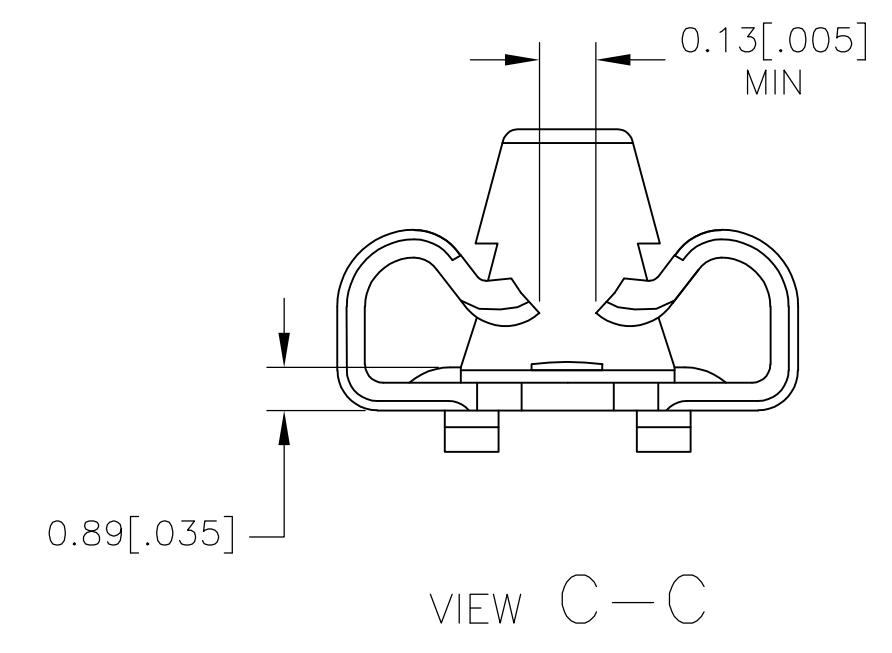
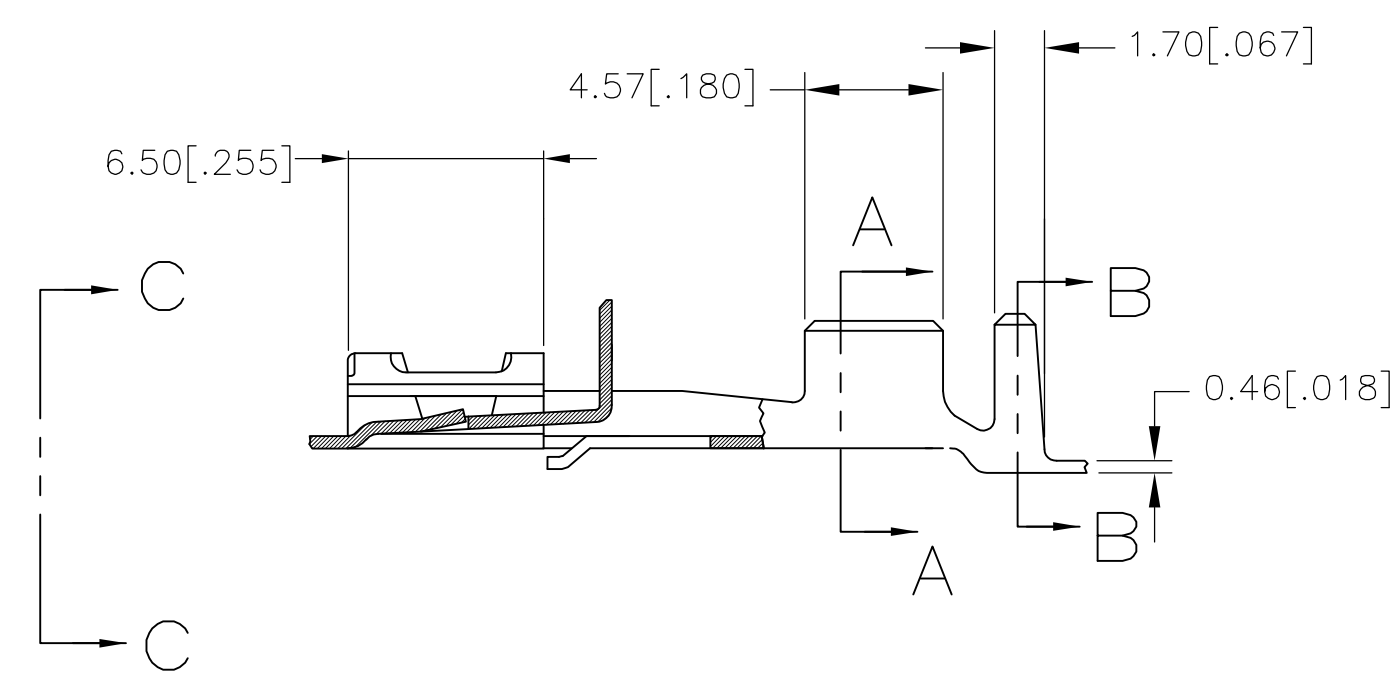
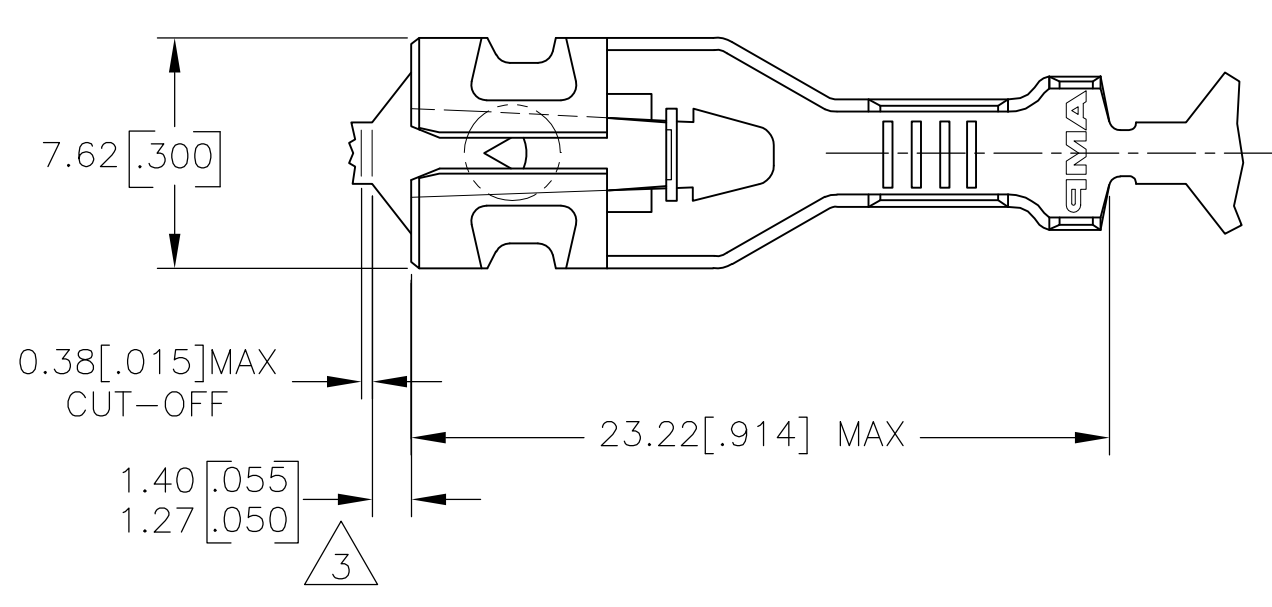


REVISIONS				
P	LTR	DESCRIPTION	DATE	BY
A1		REVISED PER ECR-17-006852	23MAY2017	BW MD

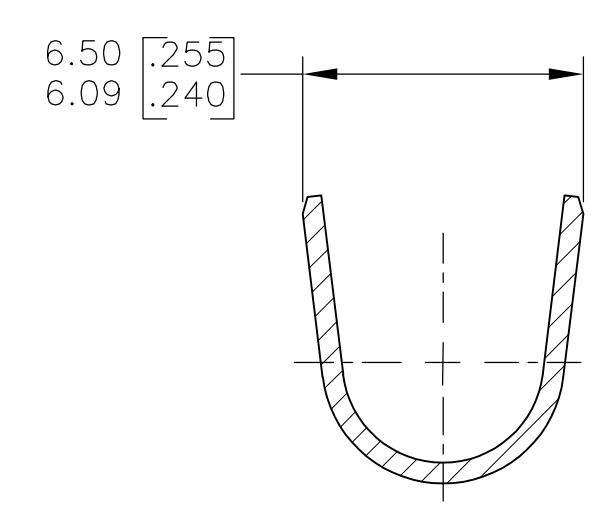
SUGGESTED MATING TAB



- MATL: 1/2 H BRASS OR NICKEL PL STEEL.
 - NO BURRS PERMISSIBLE AT HOLE.
 - MUST BE FLAT WITHIN 0.076 [.003] OVER THIS LENGTH.
 - TIN PLATING IS REQUIRED ON BRASS WHEN TERMINAL TEMP. IS OVER 225°F
 - HOLE MUST BE SYMMETRICAL ABOUT TAB Q WITHIN 0.076 [.003]
- * TO BE USED ONLY WHEN SHOULDER IS ELIMINATED.



SECTION A-A
SCALE 6:1



SECTION B-B
SCALE 6:1

- DIMENSIONS IN BRACKETS ARE IN INCHES.
 - CONTINUOUS STRIP ON REELS.
- 3 THE 1.40 [.055] DIMENSION MUST BE MAINTAINED BY THE APPLICATOR CUT-OFF TO ENSURE THE PROPER LOCKING FUNCTION OF THE RECEPTACLE.

3.81-5.08 [.150-.200] DIA	#12-#10 AWG	2825084-1
INSULATION RANGE	WIRE SIZE	PART NUMBER

THIS DRAWING IS A CONTROLLED DOCUMENT.		DIN BASVESH WARAD 15APR2016		STE TE Connectivity	
DIMENSIONS: mm[INCHES]		CIRK MIKE DIDONATO 15APR2016		NAME	
TOLERANCES UNLESS OTHERWISE SPECIFIED:		APVD MIKE DIDONATO 15APR2016		PRODUCT SPEC	
0 PLC ± -		APPLICATION SPEC		108-143022	
1 PLC ± -		WEIGHT		0	
2 PLC ± -		MATERIAL		-	
3 PLC ± 0.25[.010]		FINISH		-	
4 PLC ± ± 1°		CUSTOMER DRAWING		SCALE 4:1 SHEET 1 OF 1 REV A1	

X-ON Electronics

Largest Supplier of Electrical and Electronic Components

Click to view similar products for [Terminals](#) category:

Click to view products by [TE Connectivity](#) manufacturer:

Other Similar products are found below :

[00-054007-01074-6](#) [00-054007-70206-1](#) [00-054007-70210-8](#) [00-054007-70217-7](#) [00-054007-70226-9](#) [00-054007-70228-3](#) [00-054007-70248-1](#) [00-054007-70256-6](#) [00-054007-70301-3](#) [00-054007-70316-7](#) [00-054007-49560-4](#) [00-054007-70209-2](#) [00-054007-70225-2](#) [00-054007-70227-6](#) [00-054007-70231-3](#) [00-054007-70241-2](#) [00-054007-70242-9](#) [00-054007-70244-3](#) [00-054007-70246-7](#) [00-054007-70263-4](#) [00-054007-70288-7](#) [00-054007-70290-0](#) [00-054007-70300-6](#) [00-054007-70304-4](#) [01-2065-1-0216](#) [01-2900-1-04412](#) [00581P0075](#) [600TS-10](#) [60205-1](#) [604200-1](#) [605601-1](#) [60598-1-CUT-TAPE](#) [61314-6-C](#) [61810-3](#) [61-S](#) [61-SN](#) [626-0194](#) [62-NBM-A](#) [62-SN](#) [62-SP](#) [63-S](#) [640179-1](#) [M55155/059I03](#) [M55155/079C01](#) [M55155/099H02](#) [M55155/109H01](#) [M55155/109H02](#) [M55155/12XH05](#) [M55155/16XH02](#) [M55155/29-5S](#)