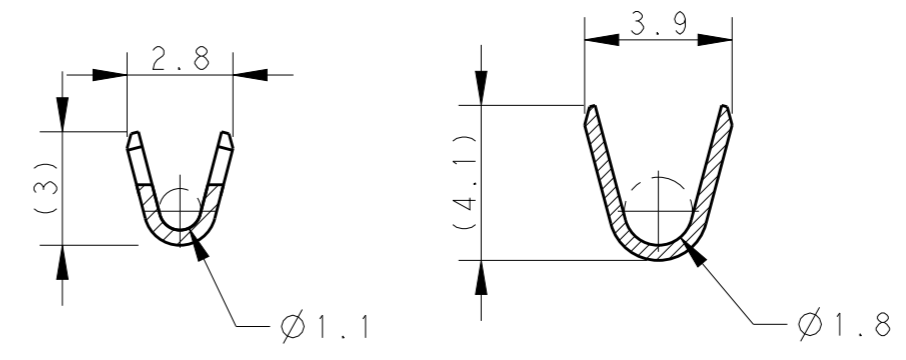
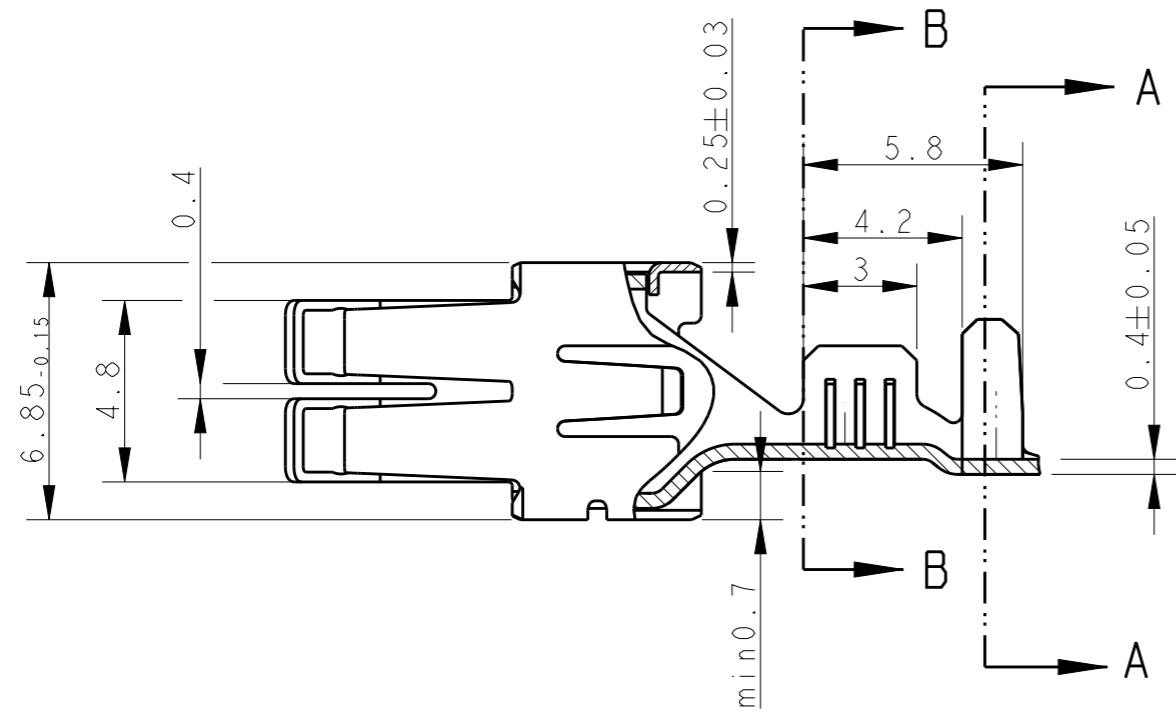
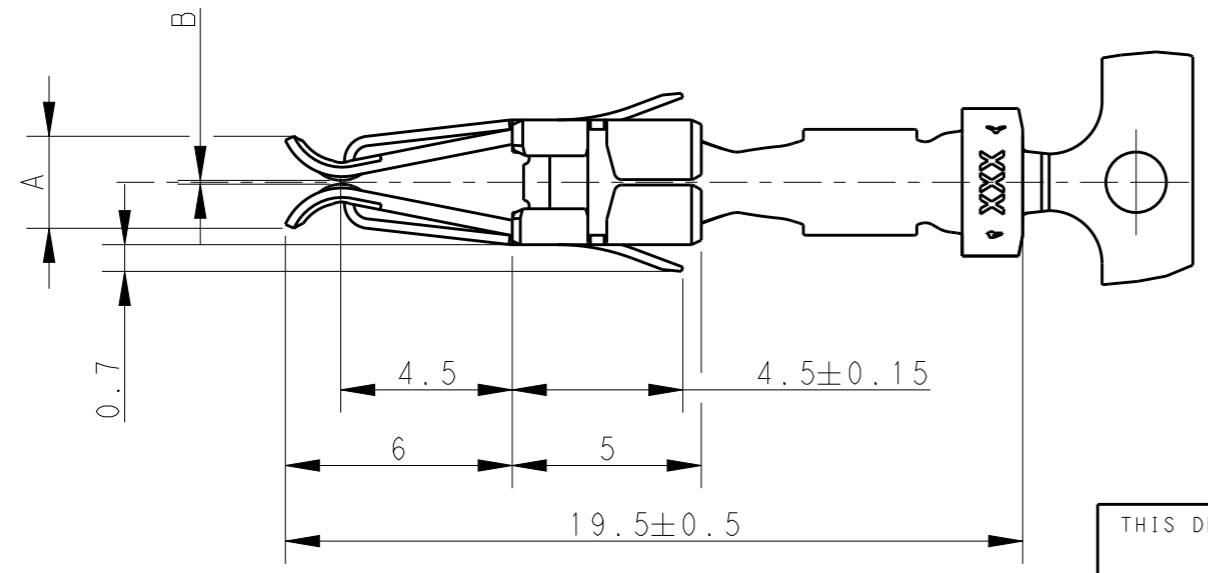


THIS DRAWING IS UNPUBLISHED. RELEASED FOR PUBLICATION 20  
 © COPYRIGHT 20 BY - ALL RIGHTS RESERVED.

REVISIONS					
P	LTR	DESCRIPTION	DATE	DWN	APVD
	A5	ECR-16-013486	22SEP2016	KD	RR
	A6	ECR-17-008121	07JUN2017	IZ	RR
	A7	ECR-18-005246	25APR2018	KD	LF
	A8	ECR-19-006808	29APR2019	KD	FL



- 1 PRELIMINARY - NOT RELEASED FOR PRODUCTION
- 2 ONLY FOR 3-927827-1 & 3-927827-2, DIMENSIONS HAVE TO FOLLOW SHEET 2  
 - INSULATION RANGE: Ø2.0 - 2.7  
 - INSULATION BARREL DIMENSION
- 3 ONLY FOR 3-964324-1 DIMENSIONS HAVE TO FOLLOW SHEET 3  
 - INSULATION RANGE: Ø1.4 - 2.1  
 - INSULATION BARREL DIMENSION



0 +0.08	2.3 ±0.15	PRESILVERED	CuFe2	3-927831-5	A
0 +0.08	2.3 ±0.15	PRESILVERED	CuSn4	3-927831-4	A
0 +0.08	2.3 ±0.15	PRETINNED	CuSn4	3-927831-2	A
0 +0.08	2.3 ±0.15	PRETINNED	CuFe2	3-927831-1	A
0.2 MAX	2.5	PRETINNED	CuFe2	2825197-1	A
B	A	FINISH	MATERIAL	PN	REV

INSUL. RANGE Ø1.4-2.1 mm  
 WIRE RANGE Ø0.5-1.0 mm2

THIS DRAWING IS A CONTROLLED DOCUMENT.

DWN: SUDHAKAR N S 27MAR2015  
 CHK: L. FEDERICO 31MAR2015  
 APVD: R. RICCARDO 31MAR2015

**STE** TE Connectivity

NAME: STANDARD-POWER-TIMER CONTACT

PRODUCT SPEC: 108-18025  
 APPLICATION SPEC: 114-18037

WEIGHT: -

Customer Drawing

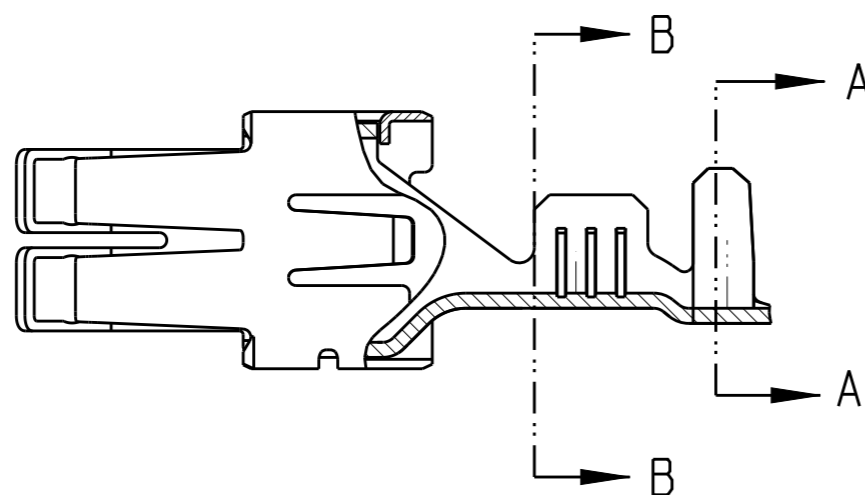
SIZE: A3 CAGE CODE: - DRAWING NO: C-2825197 RESTRICTED TO: -

SCALE: 5:1 SHEET: 1 OF 3 REV: A8

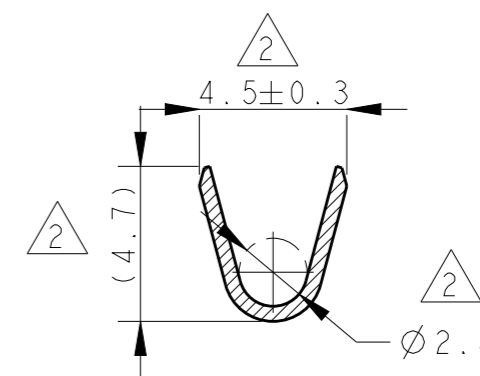
REVISIONS

P	LTR	DESCRIPTION	DATE	DWN	APVD
-	-	SEE SHEET 1	-	-	-

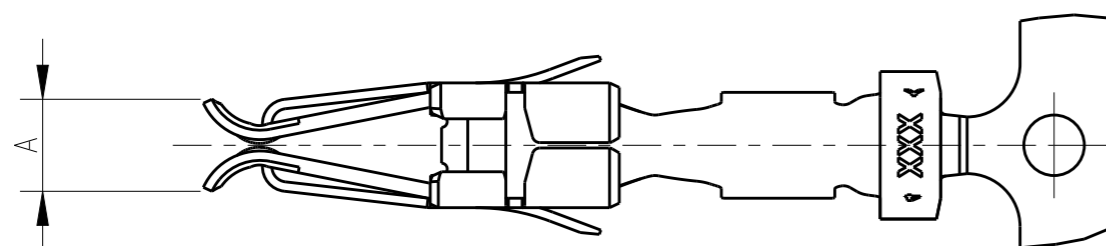
ONLY FOR 3-927827-1 & 3-927827-2  
OTHERS DIMENSION SEE SHEET 1



B - B



A - A



2.3 ±0.15	PRETINNED	CuSn4	△2	3-927827-2	A
2.3 ±0.15	PRETINNED	CuFe2	△2	3-927827-1	A
A	FINISH	MATERIAL	PN	REV	

THIS DRAWING IS A CONTROLLED DOCUMENT.

DIMENSIONS:	TOLERANCES UNLESS OTHERWISE SPECIFIED:
mm	±0.2
	0 PLC ±-
	1 PLC ±-
	2 PLC ±-
	3 PLC ±-
	4 PLC ±-
	ANGLES ±-

DWN	27MAR2015
CHK	31MAR2015
APVD	31MAR2015
PRODUCT SPEC	108-18025
APPLICATION SPEC	114-18037
WEIGHT	-



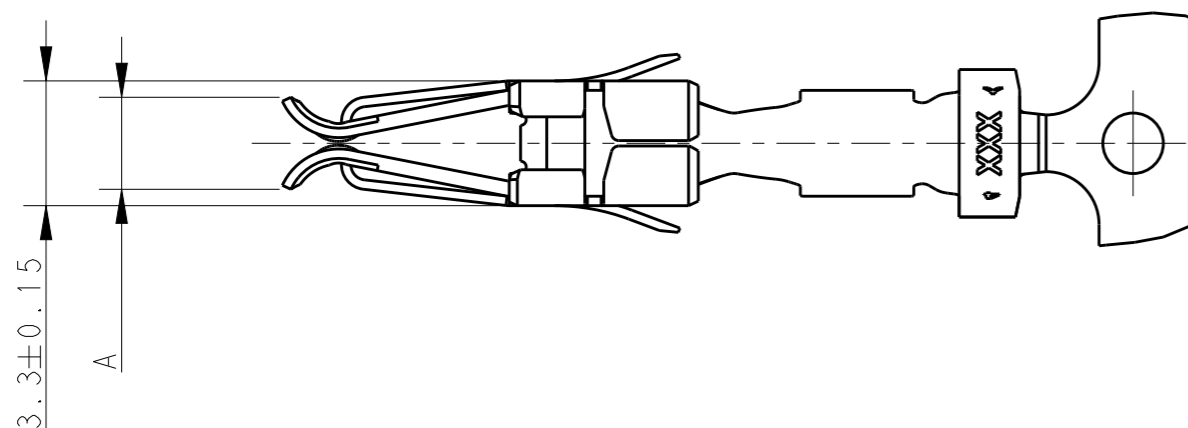
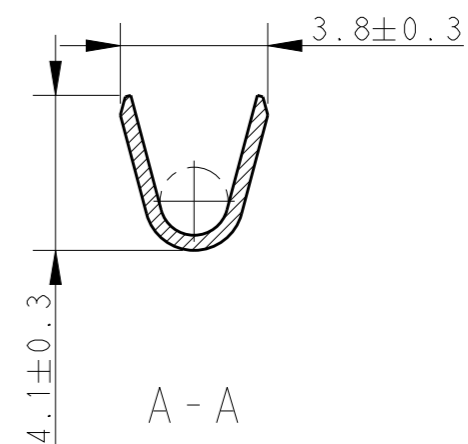
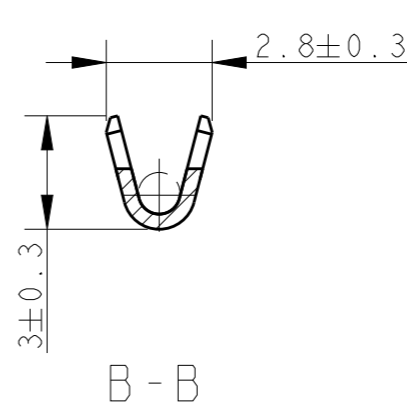
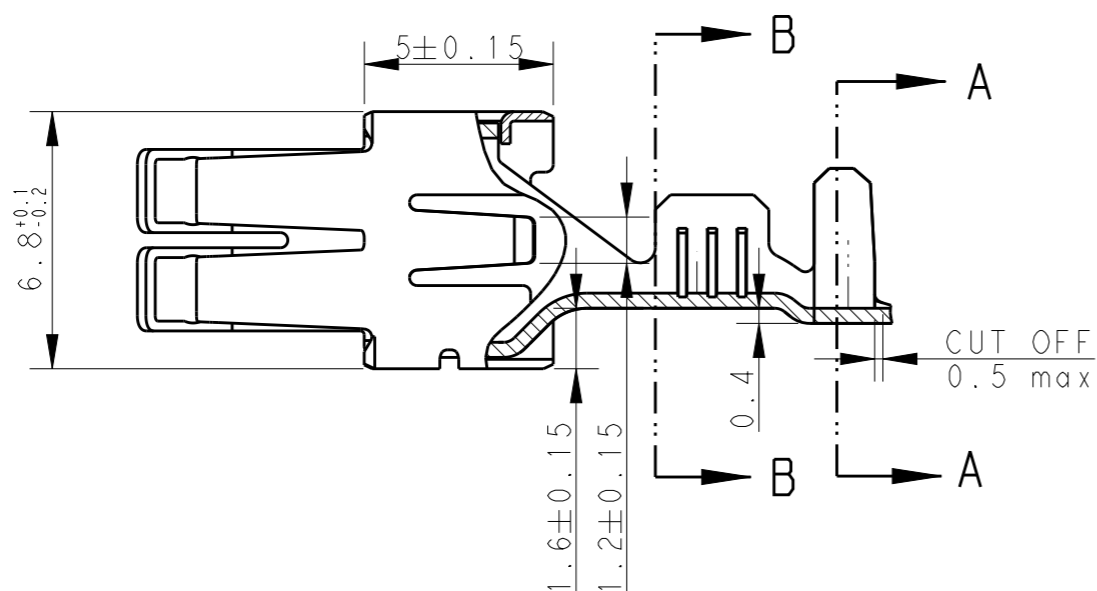
NAME				STANDARD-POWER-TIMER CONTACT	
SIZE	CAGE CODE	DRAWING NO	RESTRICTED TO		
A3	-	C-2825197	-		
Customer Drawing		SCALE	SHEET	REV	
		5:1	2 OF 3	A8	

INSUL. RANGE	WIRE RANGE	MATERIAL	FINISH
Ø 2.0-2.7 mm	Ø 0.5-1.0 mm <sup>2</sup>	-	-

REVISIONS

P	LTR	DESCRIPTION	DATE	DWN	APVD
-	-	SEE SHEET 1	-	-	-

ONLY FOR 3-964324-1  
OTHERS DIMENSION SEE SHEET 1



2.3 ±0.15	PRETINNED	CuFe2	$\triangle$ 3-964324-1	A
A	FINISH	MATERIAL	PN	REV

THIS DRAWING IS A CONTROLLED DOCUMENT.

DWN 27MAR2015  
SUDHAKAR N S  
CHK 31MAR2015  
L. FEDERICO  
APVD 31MAR2015  
R. RICCARDO



NAME STANDARD-POWER-TIMER CONTACT

DIMENSIONS: mm	TOLERANCES UNLESS OTHERWISE SPECIFIED: ±0.2
	0 PLC ±-
	1 PLC ±-
	2 PLC ±-
	3 PLC ±-
	4 PLC ±-
	ANGLES ±-

PRODUCT SPEC 108-18025  
APPLICATION SPEC 114-18037  
WEIGHT -

SIZE A3	CAGE CODE -	DRAWING NO C-2825197	RESTRICTED TO -
---------	-------------	----------------------	-----------------

INSUL. RANGE Ø 1.4-2.1 mm	WIRE RANGE Ø 0.5-1.0 mm <sup>2</sup>
------------------------------	---

MATERIAL -	FINISH -
------------	----------

## X-ON Electronics

Largest Supplier of Electrical and Electronic Components

*Click to view similar products for [Headers & Wire Housings](#) category:*

*Click to view products by [TE Connectivity](#) manufacturer:*

Other Similar products are found below :

[892-18-020-10-001101](#) [58102-G61-06LF](#) [582553-1](#) [0009485154](#) [009176003701906](#) [0050291907](#) [LY20-4P-DT1-P1E-BR](#) [02.125.8002.8](#)  
[609-3404](#) [61062-3](#) [61082-181009](#) [622-3653LF](#) [63453-116](#) [636-1030](#) [636-1427](#) [636-3427](#) [636-4007](#) [641938-9](#) [641991-4](#) [644827-2](#) [65817-](#)  
[010LF](#) [65817-015LF](#) [65863-015LF](#) [66207-023LF](#) [67095-007LF](#) [67601157](#) [68645-018](#) [68648-049](#) [70.362.1628.0](#) [70-4210](#) [70-4226B](#) [70-](#)  
[4853B](#) [707-5020](#) [707-5028](#) [71.350.2428.0](#) [71918-208LF](#) [71961-016LF](#) [733-134](#) [733-162](#) [754199-000](#) [760-3052](#) [787-8014-00](#) [79531-3000](#)  
[FCN-360C032-B](#) [FCN-367T-T012/H](#) [FCN-723D010/2](#) [80.063.4001.1](#) [800-90-001-10-001000](#) [800-90-010-10-002000](#) [801-43-002-10-013000](#)