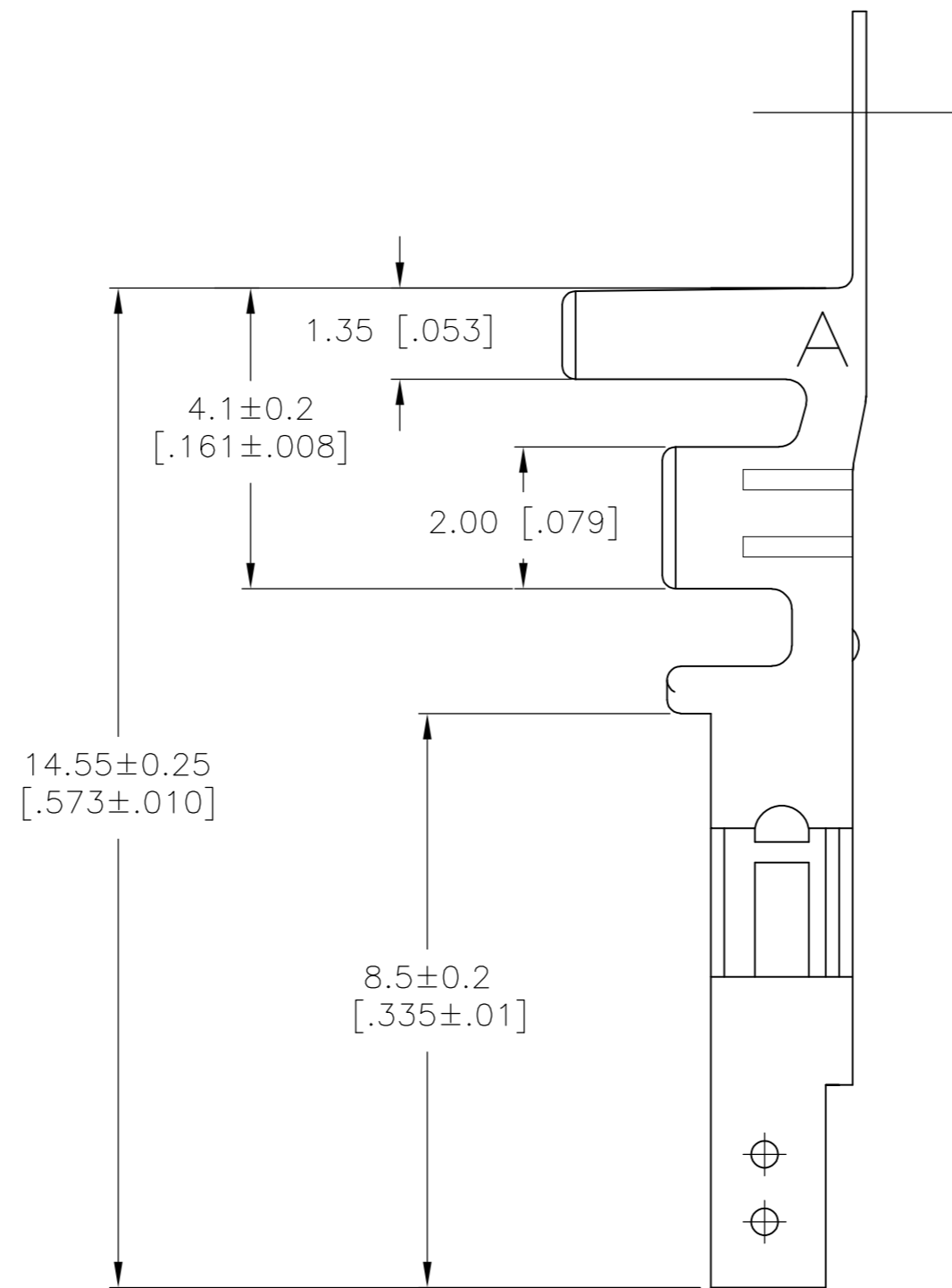
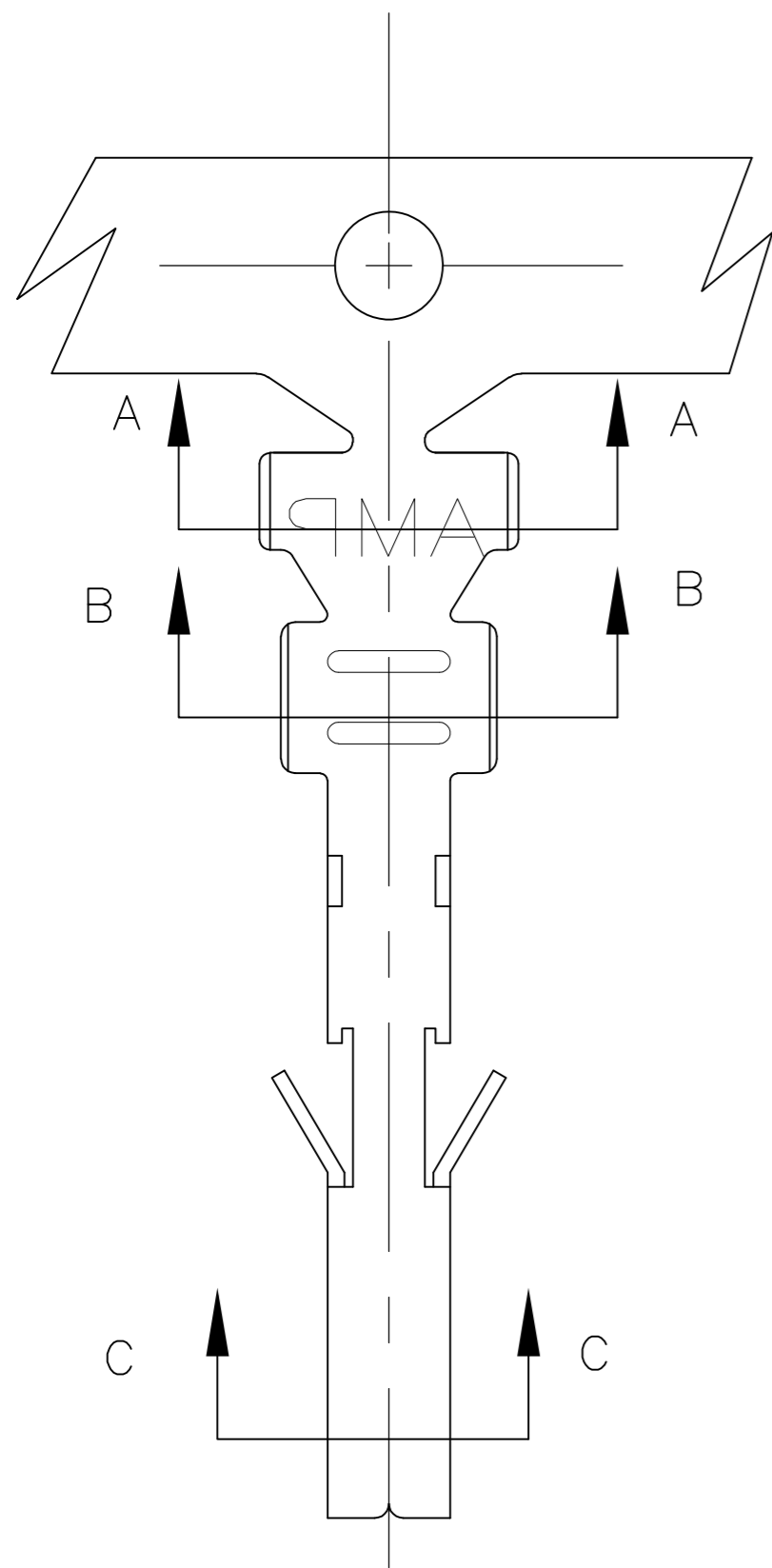
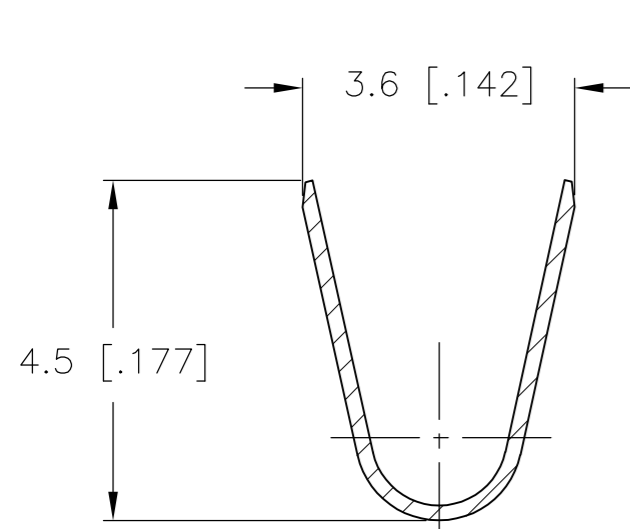


THIS DRAWING IS UNPUBLISHED. RELEASED FOR PUBLICATION  
 © COPYRIGHT - By - ALL RIGHTS RESERVED.

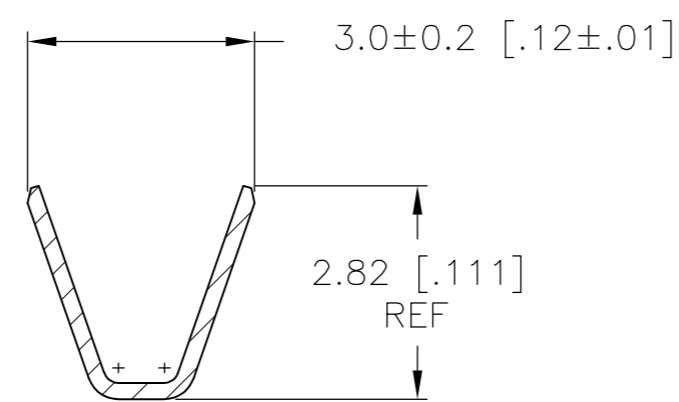
REVISIONS					
P	LTR	DESCRIPTION	DATE	DWN	APVD
A		FIRST RELEASED	15AUG2017	WH	DZ



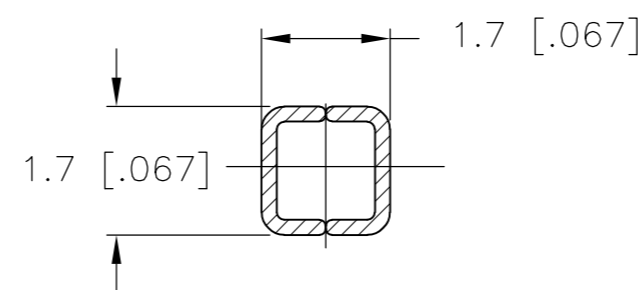
- 1 WIRE SIZE: 1.31mm<sup>2</sup> (16 AWG).
- 2 INSULATION RANGE: DIA 1.80–3.10 mm [.071–.122 in]
- 3 FINISHED: 2.54µm MIN PRE-TIN ALL OVER, WITH 0.762µm MIN NICKEL UNDER-PLATING ALL OVER
- 4 MATING PART: 2825206-1 (STRIP TYPE) OR 2825208-1 (LOOSE TYPE)



SECTION A-A



SECTION B-B



SECTION C-C

PRE-TIN <span style="border: 1px solid black; padding: 0 2px;">3</span>	HIGH PERFORMANCE COPPER ALLOY	2825207-1
FINISH:	MATERIAL:	PART NO.

THIS DRAWING IS A CONTROLLED DOCUMENT.		DWN WARREN HUO 15AUG2017	TE Connectivity																			
DIMENSIONS: mm [INCHES]		CHK DANIEL ZHANG 15AUG2017																				
TOLERANCES UNLESS OTHERWISE SPECIFIED:		APVD DANIEL ZHANG 15AUG2017																				
<table border="0"> <tr><td>0 PLC</td><td>±</td><td></td></tr> <tr><td>1 PLC</td><td>±</td><td>0.25 [.010]</td></tr> <tr><td>2 PLC</td><td>±</td><td>0.13 [.005]</td></tr> <tr><td>3 PLC</td><td>±</td><td>-</td></tr> <tr><td>4 PLC</td><td>±</td><td>-</td></tr> <tr><td>ANGLES</td><td>±</td><td></td></tr> </table>		0 PLC	±		1 PLC	±	0.25 [.010]	2 PLC	±	0.13 [.005]	3 PLC	±	-	4 PLC	±	-	ANGLES	±		PRODUCT SPEC 108-150000	NAME TERMINAL, SOCKET VAL-U-LOK(TM) HCS	
0 PLC	±																					
1 PLC	±	0.25 [.010]																				
2 PLC	±	0.13 [.005]																				
3 PLC	±	-																				
4 PLC	±	-																				
ANGLES	±																					
MATERIAL SEE TABLE		FINISH SEE TABLE	APPLICATION SPEC 114-13172	SIZE A2																		
		WEIGHT 0	CAGE CODE 00779	DRAWING NO C=2825207																		
		CUSTOMER DRAWING	SCALE N/A	SHEET 1 OF 1																		
			RESTRICTED TO -	REV A																		

## X-ON Electronics

Largest Supplier of Electrical and Electronic Components

*Click to view similar products for [Power to the Board](#) category:*

*Click to view products by [TE Connectivity](#) manufacturer:*

Other Similar products are found below :

[6450171-4](#) [6450552-7](#) [6600323-8](#) [6643429-1](#) [6646040-2](#) [6651939-1](#) [6766604-1](#) [120959-1](#) [1393557-2](#) [1393532-2](#) [1393532-3](#) [1393532-4](#)  
[1393557-1](#) [1600812-5](#) [1-6450861-2](#) [1744132-7](#) [1761122-1](#) [1766250-1](#) [1892109-1](#) [2-6450860-5](#) [2-6450870-0](#) [1-6450161-4](#) [1-6450850-6](#) [1-](#)  
[6450869-6](#) [1645526-2](#) [1-6600130-0](#) [2005243-2](#) [377-0020-11130](#) [TE34-12-16P-F0](#) [51700-10201602AALF](#) [5-6450830-6](#) [5646956-4](#) [377-](#)  
[0080-11131A](#) [4-6450830-9](#) [4-6600333-3](#) [10125416-4050LF](#) [10130248-005LF](#) [6600320-3](#) [3-6450860-5](#) [1888123-2](#) [6450166-1](#) [6643978-1](#)  
[6766605-1](#) [701-15-02109](#) [N11444](#) [6651938-1](#) [6450810-7](#) [46437-1112](#) [1-1589677-8](#) [5646956-5](#)