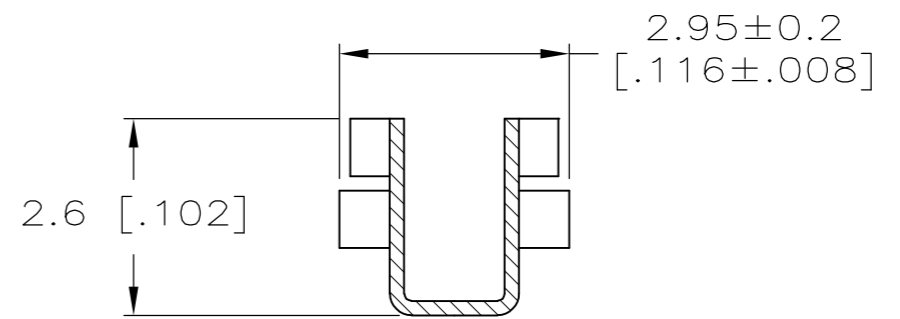
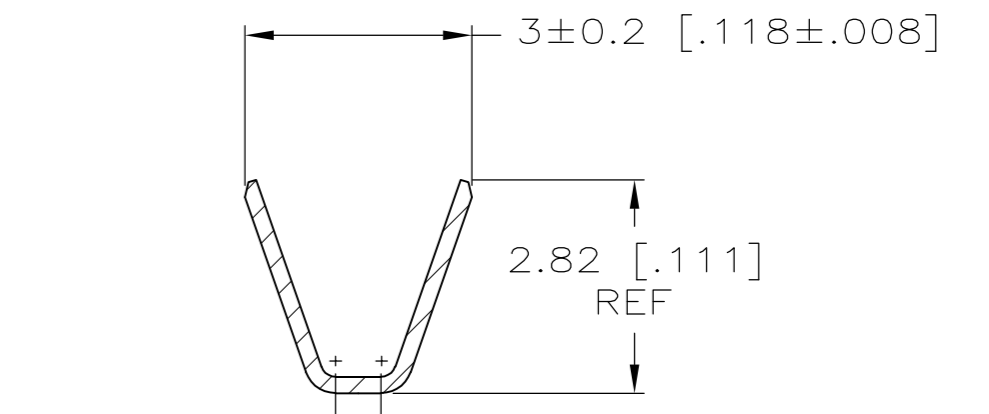
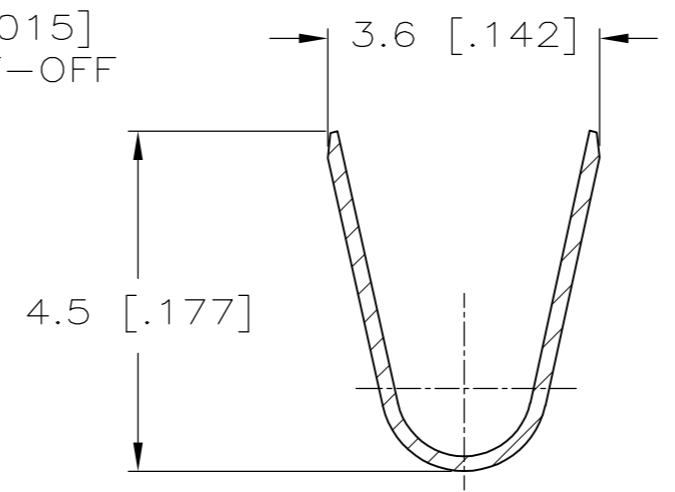
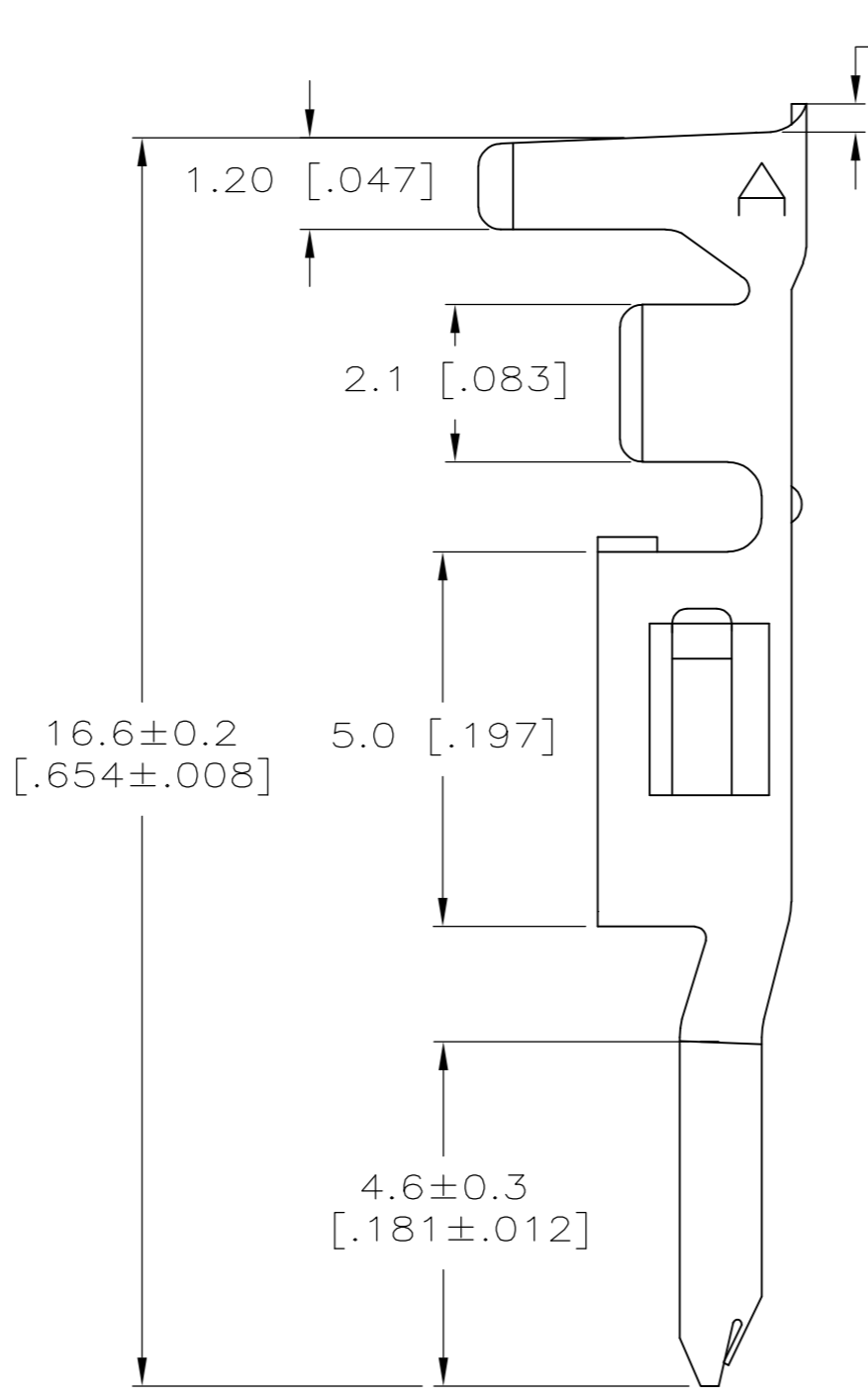
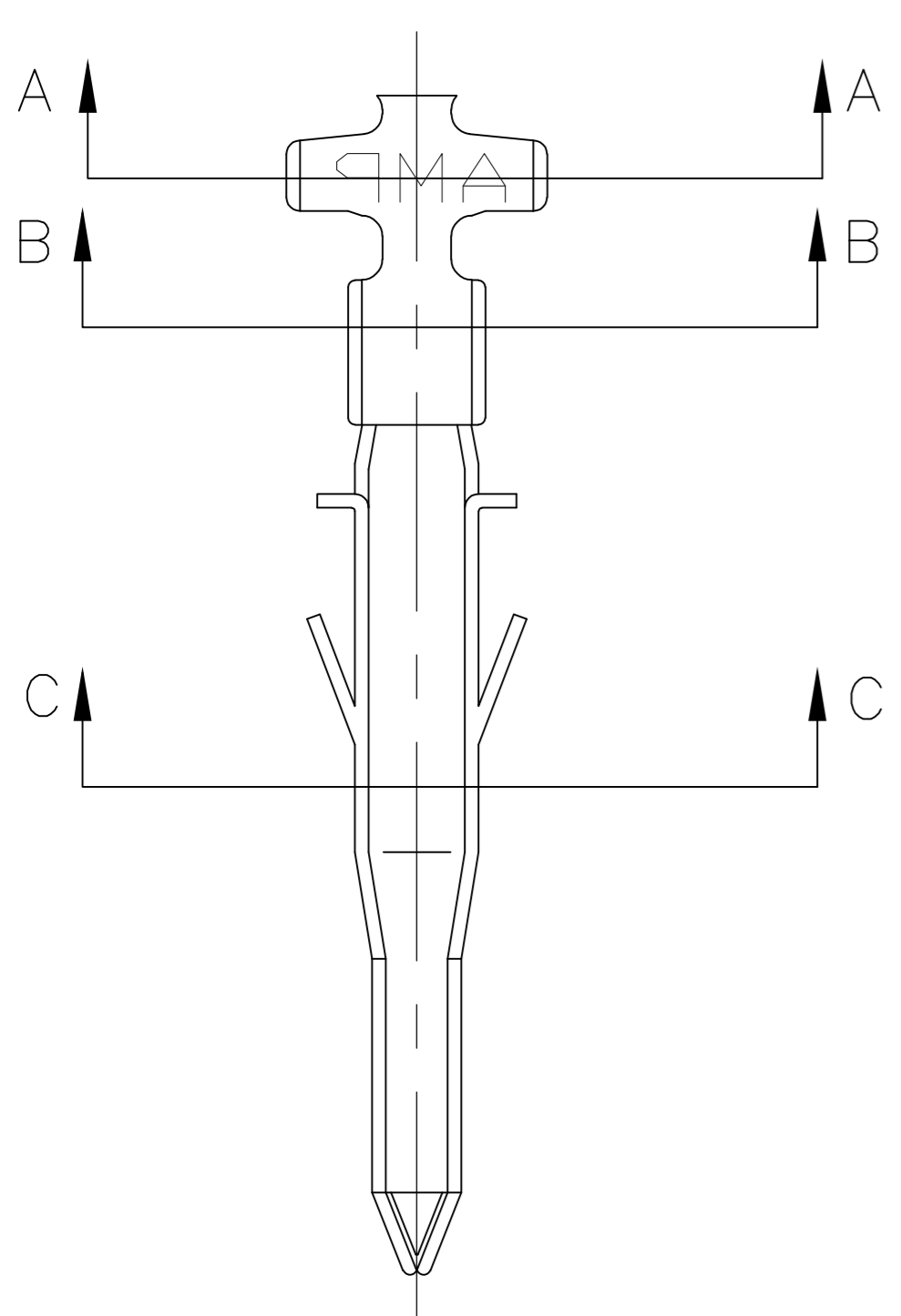


THIS DRAWING IS UNPUBLISHED. RELEASED FOR PUBLICATION  
 © COPYRIGHT - By - ALL RIGHTS RESERVED.

REVISIONS					
P	LTR	DESCRIPTION	DATE	DWN	APVD
A		FIRST RELEASED	15AUG2017	WH	DZ

1. WIRE SIZE: 1.31mm<sup>2</sup> (16 AWG)
2. INSULATION RANGE: DIA 1.80-3.10mm [.071-.122 in].
3. FINISH: 2.54um MIN PRE-TIN ALL OVER, WITH 0.762um MIN NICKEL UNDER-PLATING ALL OVER.
4. MATING PART: 2825207-1 (STRIP TYPE) OR 2825209-1 (LOOSE TYPE)



PRE-TIN $\triangle_3$	HIGH PERFORMANCE COPPER ALLOY	2825208-1
FINISH	MATERIAL	PART NO.

THIS DRAWING IS A CONTROLLED DOCUMENT.		DWN WARREN HUO 15AUG2017	TE Connectivity	
DIMENSIONS: mm [INCHES]		CHK DANIEL ZHANG 15AUG2017	NAME	
TOLERANCES UNLESS OTHERWISE SPECIFIED: 0 PLC ± 1 PLC ± 0.25 [.010] 2 PLC ± 0.13 [.005] 3 PLC ± 4 PLC ± ANGLES ± 0°30'		APVD DANIEL ZHANG 15AUG2017	TERMINAL, PIN (LOOSE PIECE) VAL-U-LOK(TM) HCS	
MATERIAL SEE TABLE		PRODUCT SPEC 108-150000	SIZE A2	CAGE CODE 00779
FINISH SEE TABLE		APPLICATION SPEC 114-13172	DRAWING NO C=2825208	RESTRICTED TO
CUSTOMER DRAWING		WEIGHT 0	SCALE N/A	SHEET 1 OF 1

## X-ON Electronics

Largest Supplier of Electrical and Electronic Components

*Click to view similar products for [Power to the Board](#) category:*

*Click to view products by [TE Connectivity](#) manufacturer:*

Other Similar products are found below :

[6450171-4](#) [6450552-7](#) [6600323-8](#) [6643429-1](#) [6646040-2](#) [6651939-1](#) [6766604-1](#) [120959-1](#) [1393557-2](#) [1393532-2](#) [1393532-3](#) [1393532-4](#)  
[1393557-1](#) [1600812-5](#) [1-6450861-2](#) [1744132-7](#) [1761122-1](#) [1766250-1](#) [1892109-1](#) [2-6450860-5](#) [2-6450870-0](#) [1-6450161-4](#) [1-6450850-6](#) [1-6450869-6](#) [1645526-2](#) [1-6600130-0](#) [2005243-2](#) [377-0020-11130](#) [TE34-12-16P-F0](#) [5-6450830-6](#) [5646956-4](#) [377-0080-11131A](#) [4-6450830-9](#)  
[4-6600333-3](#) [10125416-4050LF](#) [6600320-3](#) [3-6450860-5](#) [1888123-2](#) [6450166-1](#) [6643978-1](#) [6766605-1](#) [701-15-02109](#) [N11444](#) [6651938-1](#)  
[6450810-7](#) [46437-1112](#) [1-1589677-8](#) [5646956-5](#) [6450813-2](#) [6450129-4](#)