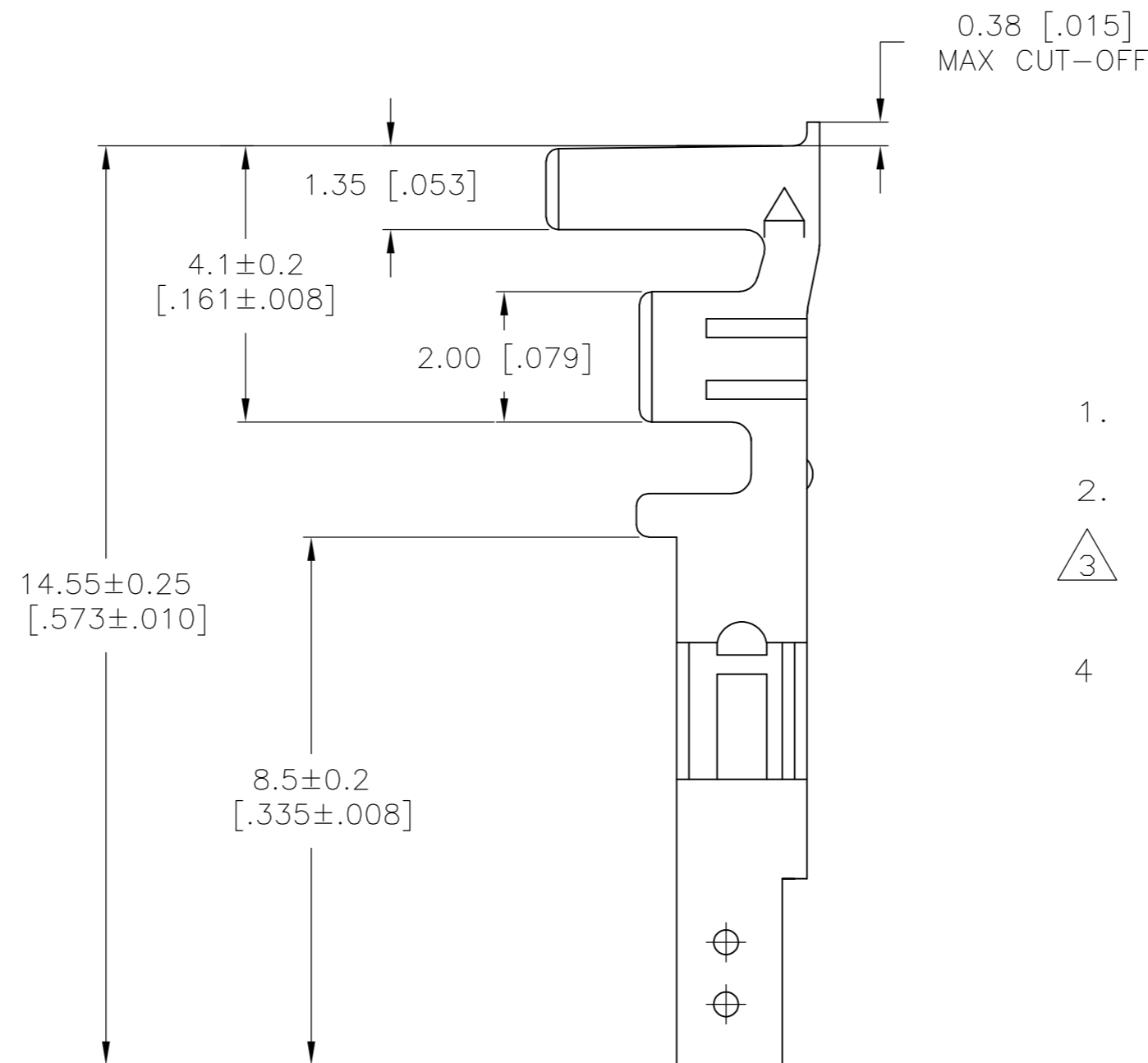
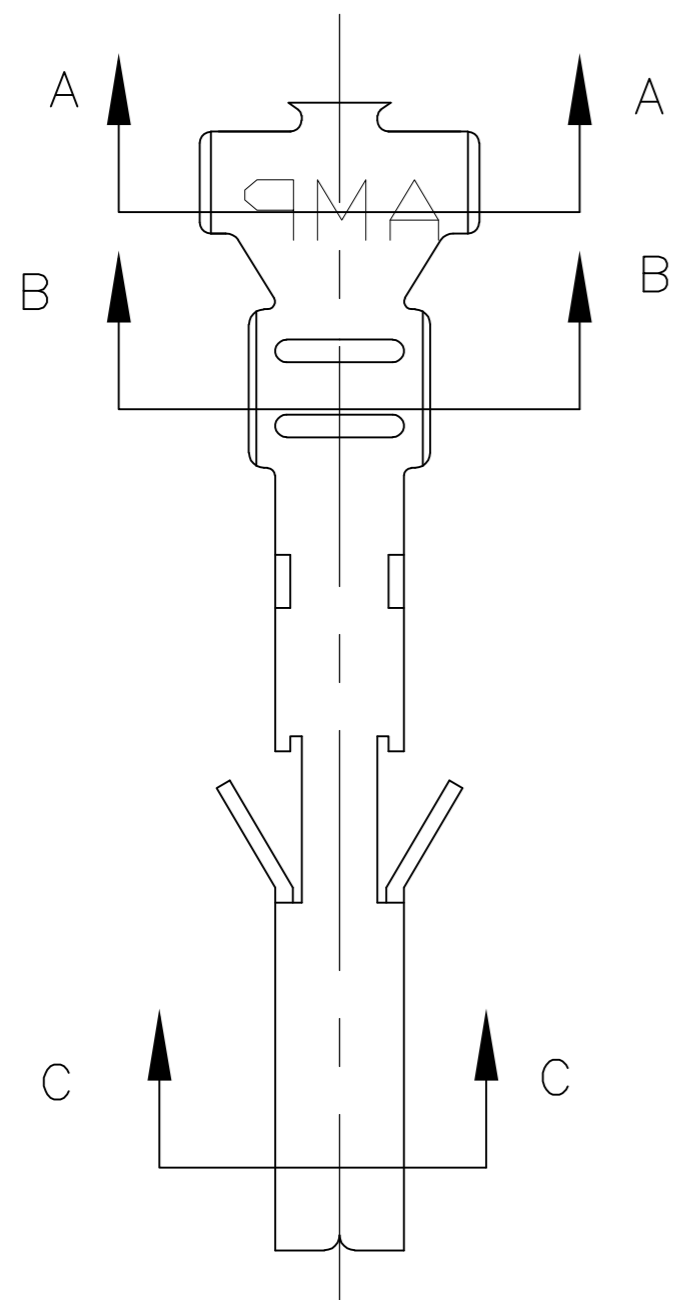
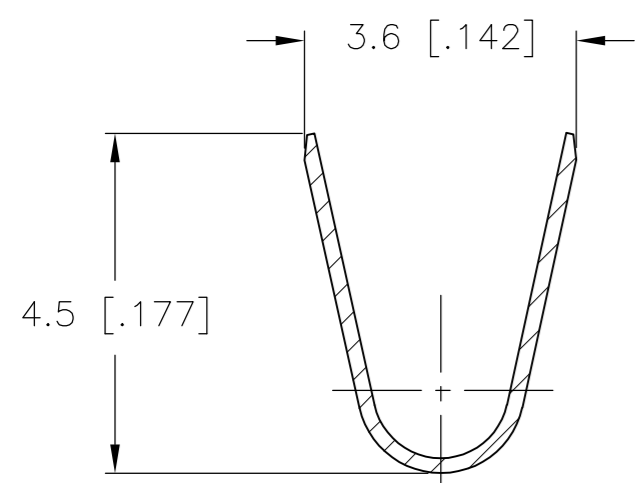


THIS DRAWING IS UNPUBLISHED. RELEASED FOR PUBLICATION
 © COPYRIGHT - By - ALL RIGHTS RESERVED.

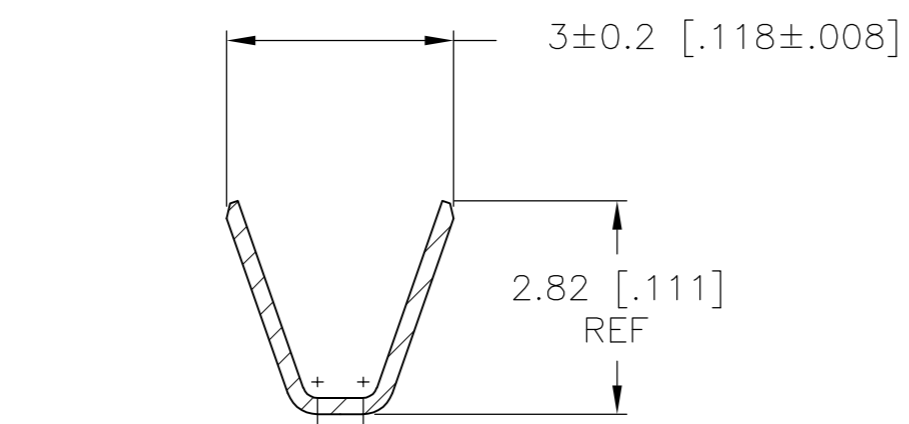
REVISIONS				
P	LTR	DESCRIPTION	DATE	APVD
A		FIRST RELEASED	15AUG2017	WH DZ



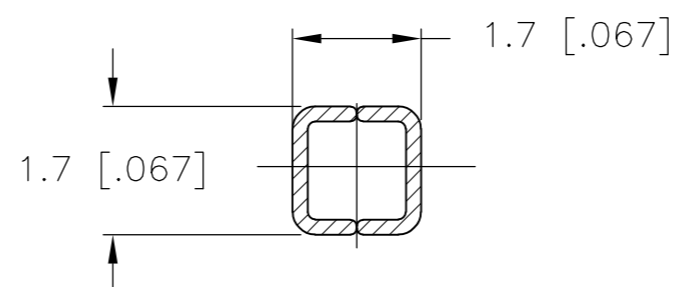
1. WIRE SIZE: 1.31mm² (16 AWG)
2. INSULATION RANGE: DIA 1.80–3.10mm [.071–.122 in].
3. FINISH: 2.54um MIN PRE-TIN ALL OVER, WITH 0.762um MIN NICKEL UNDER-PLATING ALL OVER.
4. MATING PART: 2825206-1 (STRIP TYPE) OR 2825208-1 (LOOSE TYPE)



SECTION A-A



SECTION B-B



SECTION C-C

PRE-TIN $\triangle 3$	HIGH PERFORMANCE COPPER ALLOY	2825209-1
FINISH:	MATERIAL:	PART NO.

THIS DRAWING IS A CONTROLLED DOCUMENT.		DWN WARREN HUO 15AUG2017												
DIMENSIONS: mm [INCHES]		CHK DANIEL ZHANG 15AUG2017												
TOLERANCES UNLESS OTHERWISE SPECIFIED:		APVD DANIEL ZHANG 15AUG2017												
<table border="1"> <tr><td>0 PLC</td><td>±</td></tr> <tr><td>1 PLC</td><td>± 0.25 [.010]</td></tr> <tr><td>2 PLC</td><td>± 0.13 [.005]</td></tr> <tr><td>3 PLC</td><td>± -</td></tr> <tr><td>4 PLC</td><td>±</td></tr> <tr><td>ANGLES</td><td>±</td></tr> </table>		0 PLC			±	1 PLC	± 0.25 [.010]	2 PLC	± 0.13 [.005]	3 PLC	± -	4 PLC	±	ANGLES
0 PLC	±													
1 PLC	± 0.25 [.010]													
2 PLC	± 0.13 [.005]													
3 PLC	± -													
4 PLC	±													
ANGLES	±													
MATERIAL SEE TABLE		PRODUCT SPEC 108-150000	TERMINAL VAL-U-LOK(TM) HCS SOCKET (LOOSE PIECE)											
FINISH SEE TABLE		APPLICATION SPEC 114-13172	SIZE A2	CAGE CODE 00779										
CUSTOMER DRAWING		WEIGHT 0	DRAWING NO C=2825209	RESTRICTED TO -										
		SCALE N/A	SHEET 1 OF 1	REV A										

X-ON Electronics

Largest Supplier of Electrical and Electronic Components

Click to view similar products for [Power to the Board](#) category:

Click to view products by [TE Connectivity](#) manufacturer:

Other Similar products are found below :

[6450171-4](#) [6450552-7](#) [6600323-8](#) [6643429-1](#) [6646040-2](#) [6651939-1](#) [6766604-1](#) [120959-1](#) [1393557-2](#) [1393532-2](#) [1393532-3](#) [1393532-4](#)
[1393557-1](#) [1600812-5](#) [1-6450861-2](#) [1744132-7](#) [1761122-1](#) [1766250-1](#) [1892109-1](#) [2-6450860-5](#) [2-6450870-0](#) [1-6450161-4](#) [1-6450850-6](#) [1-6450869-6](#) [1645526-2](#) [1-6600130-0](#) [2005243-2](#) [377-0020-11130](#) [TE34-12-16P-F0](#) [5-6450830-6](#) [5646956-4](#) [377-0080-11131A](#) [4-6450830-9](#)
[4-6600333-3](#) [10125416-4050LF](#) [6600320-3](#) [3-6450860-5](#) [1888123-2](#) [6450166-1](#) [6643978-1](#) [6766605-1](#) [701-15-02109](#) [N11444](#) [6651938-1](#)
[6450810-7](#) [46437-1112](#) [1-1589677-8](#) [5646956-5](#) [6450813-2](#) [6450129-4](#)