

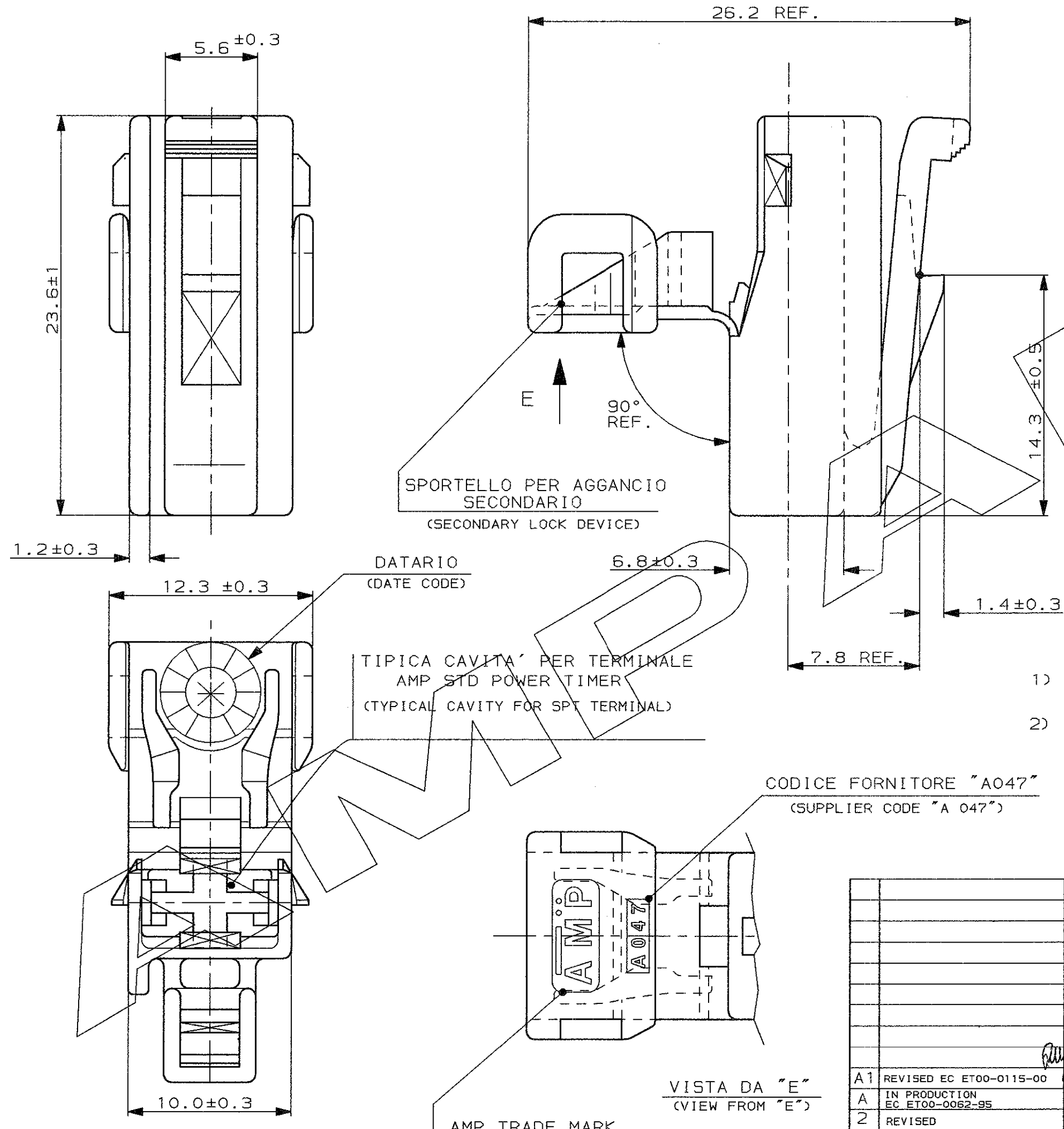
SCALA NON IMPEGNATIVA
(DO NOT SCALE)
DIMENSIONI IN mm
(DIMENSIONS IN mm)

METRIC

PROIEZIONE EUROPEA
(EUROPEAN PROJECTION)

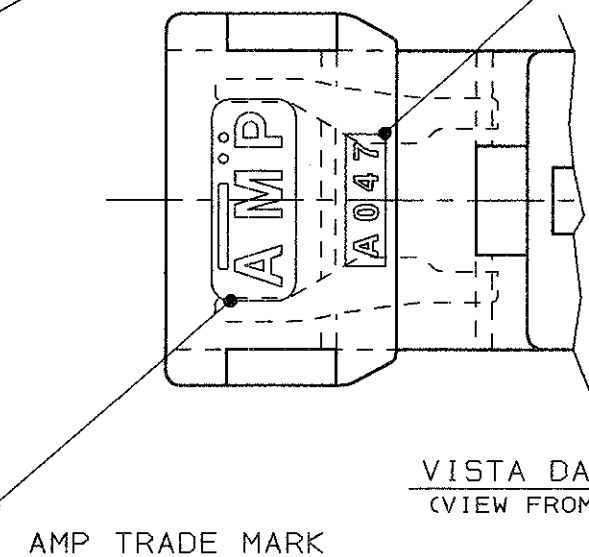
A
B
C
D
E

A
B
C
D
E



- 1) PRODUCT ACCORDING TO PRODUCT SPEC. # 108-20146 AND INSTRUCTION SHEET #411-20010
- 2) PER DETTAGLI CONTROPARTE VEDERE FOGLIO 2 DI 2. (FOR COUNTERPART DETAILS SEE SHEET 2 OF 2).

CODICE FORNITORE "A047"
(SUPPLIER CODE "A 047")



VISTA DA "E"
(VIEW FROM "E")

AMP TRADE MARK

NERO (BLACK)	PA 6.6	A	282533-2
NATURALE (CLEAR)	UNFILLED	A	282533-1
FINITURA / COLORE (FINISH / COLOUR)	MATERIALE (MATERIAL)	REV.	NUMERO (PART NUMBER)

CUSTOMER DWG. FOR REFERENCE ONLY		DISEGNO PER CLIENTE SOLO PER RIFERIMENTO	
THIS DRAWING IS UNPUBLISHED		RELEASE FOR PUBLICATION	
© COPYRIGHT 19 BY AMP INCORPORATED, HARRISBURG, PA. ALL INTERNATIONAL RIGHT RESERVED. AMP PRODUCTS MAY BE COVERED BY U.S. AND FOREIGN PATENT AND/OR PATENT PENDING			
TOLLERANZE, SE NON DIVERSAMENTE SPECIFICATO (TOLERANCES, UNLESS OTHERWISE SPECIFIED)	DIAM. ISOLANTE (INS. DIA. RANGE)	RANGO FILO (WIRE RANGE)	SCALA (SCALE)
± 0.3	//	//	4:1
ANGOLI (ANGLES)	AMP ITALIA S.p.A. Corso F.lli Cervi, 15 COLLENO (TORINO)		
± 2°			

REV.	REVISIONI (REVISION RECORD)	DIS. DATA (DR) (DATE)
A1	REVISED EC ET00-0115-00	12 MAR 1993
A	IN PRODUCTION EC ET00-0062-95	14 JUN 1995
2	REVISED	12 MAR 1993
1	WAS P/N 92-51222	23-3 1993

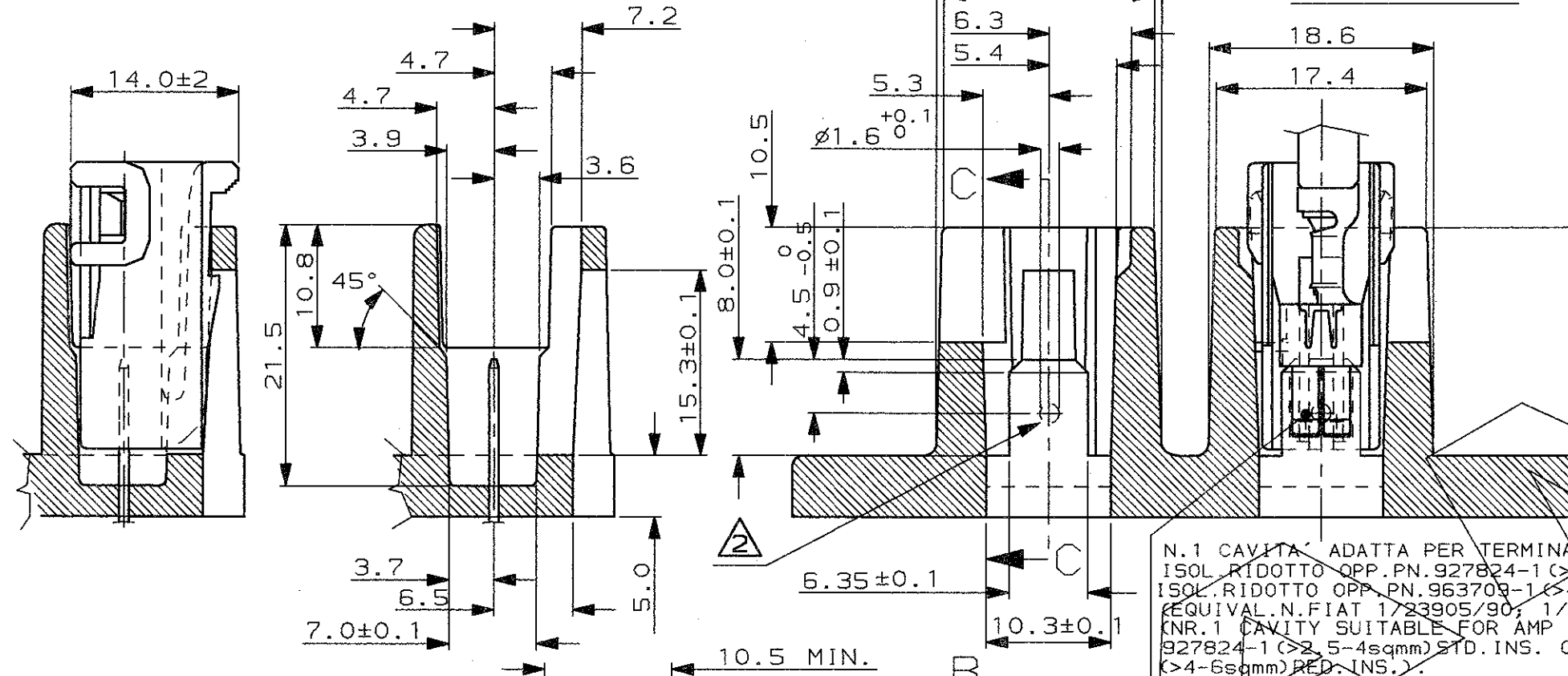
DIS. (DR.)	12 MARCH 1993	DESCRIZIONE (DESCRIPTION)	1 POSITION STANDARD POWER
C.I.	C. IANNARELLI	TIMER CONNECTOR WITH SEC. LOCK	
CONT. (CHK)	12 MARCH 1993	LOC. SIZE	NUMERO (DWG NO)
C. I.	C. TARTARI	I A3	C-282533
APP. (APP.)		REV.	FOGLIO (SHEET)
		A1	1 DI 2 (OF 2)

DISTRIBUZIONE (PRINT DIST.)

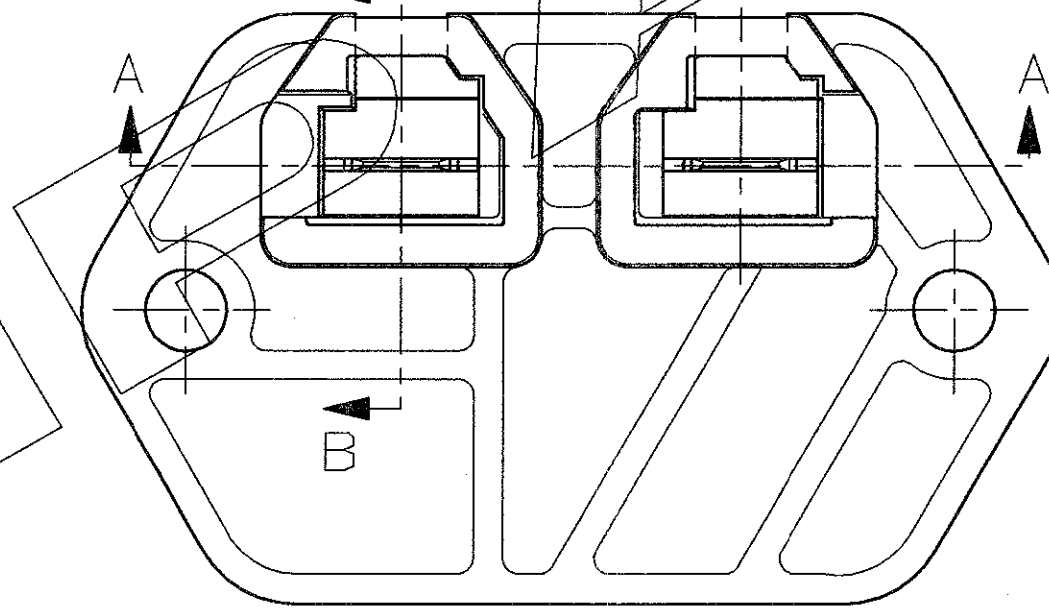
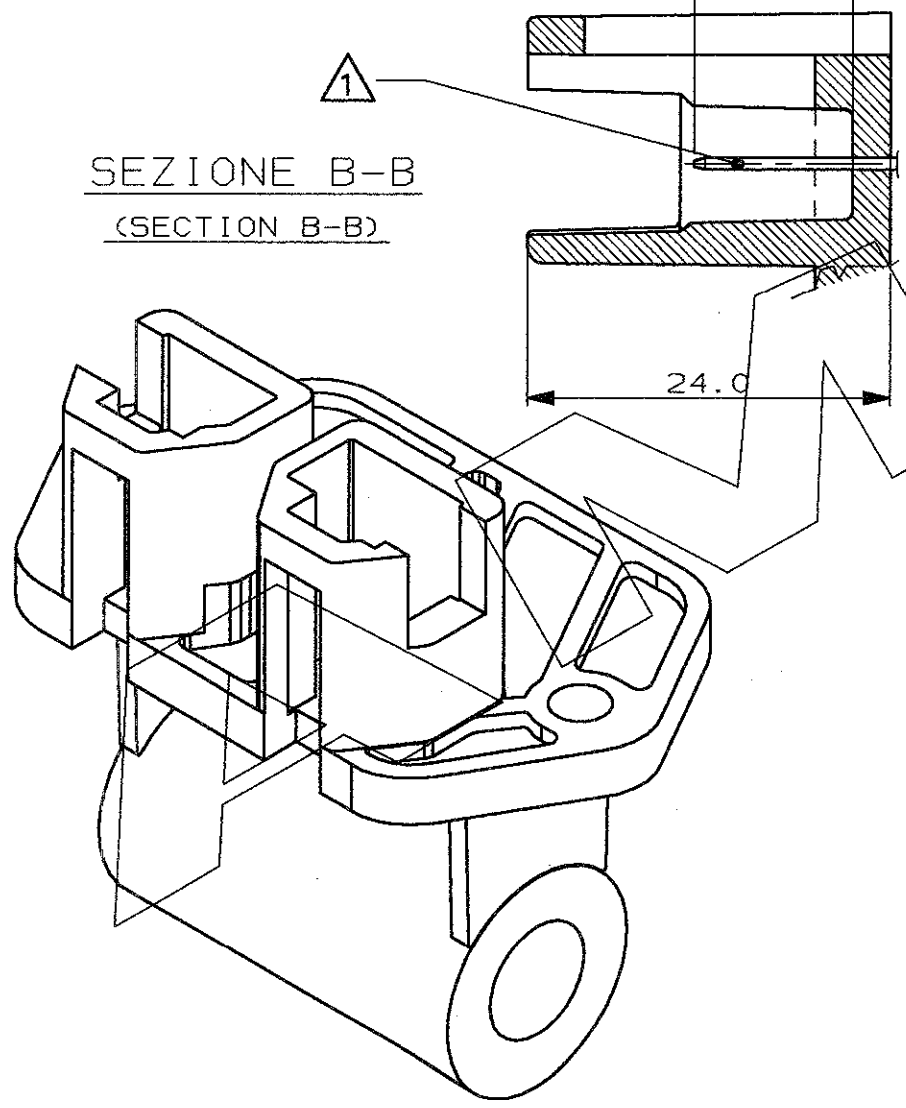
SEZIONE C-C
(SECTION C-C)

SEZIONE A-A
(SECTION A-A)

SCALA NON IMPEGNATIVA
(DO NOT SCALE)
DIMENSIONI IN mm
METRIC
PROIEZIONE EUROPEA
(EUROPEAN PROJECTION)



SEZIONE B-B
(SECTION B-B)



N.1 CAVITA' ADATTA PER TERMINALI "AMP STANDARD POWER TIMER" PN.927837-2 (1,5-2.5mm²) ISOL. RIDOTTO OPP. PN.927824-1 (>2.5-4mm²) ISOL. STANDARD OPP. PN.927829-1 (>2.5-4mm²) ISOL. RIDOTTO OPP. PN.963709-1 (>4-6mm²) ISOL. RIDOTTO.
(EQUIVAL. N. FIAT 1/23905/90; 1/23935/90; 1/04808/90; 1/23918/90)
(N.1 CAVITY SUITABLE FOR AMP SPT CONTACTS PN.927837-2 (1,5-2.5sqmm) RED. INS. OR PN. 927824-1 (>2.5-4sqmm) STD. INS. OR PN.927829-1 (>2.5-4sqmm) RED. INS. OR PN.963709-1 (>4-6sqmm) RED. INS.).

- 1 MATERIALE LINGUETTA: OTTONE STAGNATO O LEGA Cu-Fe STAGNATA (PER ALTE CORRENTI PARTICOLARM. INDICATA LA STOL 194).
(TAB MAT'L.: TIN PLTD. BRASS OR Cu-Fe TINNED ALLOY (PARTICULARLY INDICATED STOL 194 FOR HIGH CURRENT RATINGS).)
- 2 LINGUETTA CON FORO IN ALTERNATIVA PER APPLICAZIONE TERMINALE POSITIVE LOCK.
(TAB WITH HOLE IN ALTERNATIVE FOR POSITIVE LOCK CONTACT APPLICATIONS).

FINITURA / COLORE (FINISH / COLOUR)	MATERIALE (MATERIAL)	NUMERO (PART NUMBER)
CUSTOMER DWG. FOR REFERENCE ONLY	DISEGNO PER CLIENTE SOLO PER RIFERIMENTO	
THIS DRAWING IS UNPUBLISHED - RELEASE FOR PUBLICATION		19
© COPYRIGHT 19 BY AMP INCORPORATED, HARRISBURG, PA. ALL INTERNATIONAL RIGHT RESERVED. AMP PRODUCTS MAY BE COVERED BY U.S. AND FOREIGN PATENT AND/OR PATENT PENDING		
TOLLERANZE: SE NON DIVERSAMENTE SPECIFICATO (TOLERANCES, UNLESS OTHERWISE SPECIFIED)	DIAM. ISOLANTE (INS. DIA. RANGE)	RANGO FILO (WIRE RANGE)
± 0.2	//	//
ANGOLI (ANGLES)		SCALA (SCALE)
± 2°		2:1
DIS. - (DR.)	DESCRIZIONE (DESCRIPTION) 1 POSITION STANDARD POWER	
CONT. - (CHK)	TIMER CONNECTOR WITH SEC. LOCK	
REV. - (REV.)	LOC. SIZE (APP.)	NUMERO (DWS NO)
	I A3	C-282533
		REV. FOGGIO (SHEET)
		A1 2 DI (OF) 2

VED. FOGGIO 1 DI 2
(SEE SHEET 1 OF 2)

DISTRIBUZIONE
(PRINT DIST.)

X-ON Electronics

Largest Supplier of Electrical and Electronic Components

Click to view similar products for [Automotive Connectors](#) category:

Click to view products by [TE Connectivity](#) manufacturer:

Other Similar products are found below :

[003-018-000](#) [60993906-B](#) [M902-2131](#) [M902-2161](#) [M902-2344](#) [72.330.1035.1](#) [73.353.4028.0](#) [F166900](#) [F358300-B](#) [F407400](#) [776880-1](#)
[827153-1](#) [8N1515-32-24P](#) [9-1326729-8](#) [925474-1](#) [928905-1](#) [964562-4](#) [968782-1](#) [98891-1012](#) [12004475-L](#) [12020308](#) [12041318-B](#)
[12052466](#) [12064869](#) [12015909](#) [1-21030-1](#) [12041254](#) [12041318](#) [12047946-B](#) [12110546-B](#) [12131792](#) [12084688](#) [12092346](#) [HD34-18-14PT](#)
[HD46-24-23SN-059](#) [HDB36-24-16PN-059](#) [HDP26-24-9SE-L015](#) [12185280](#) [12185550](#) [12336-12](#) [12191172-B](#) [12S](#) [13545280](#) [13577943](#)
[13681974](#) [13737722-B](#) [13830674](#) [13832576](#) [13849772](#) [13542772](#)