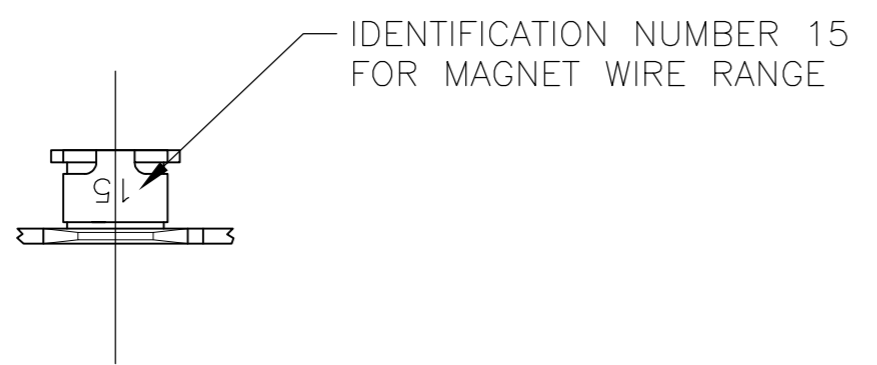
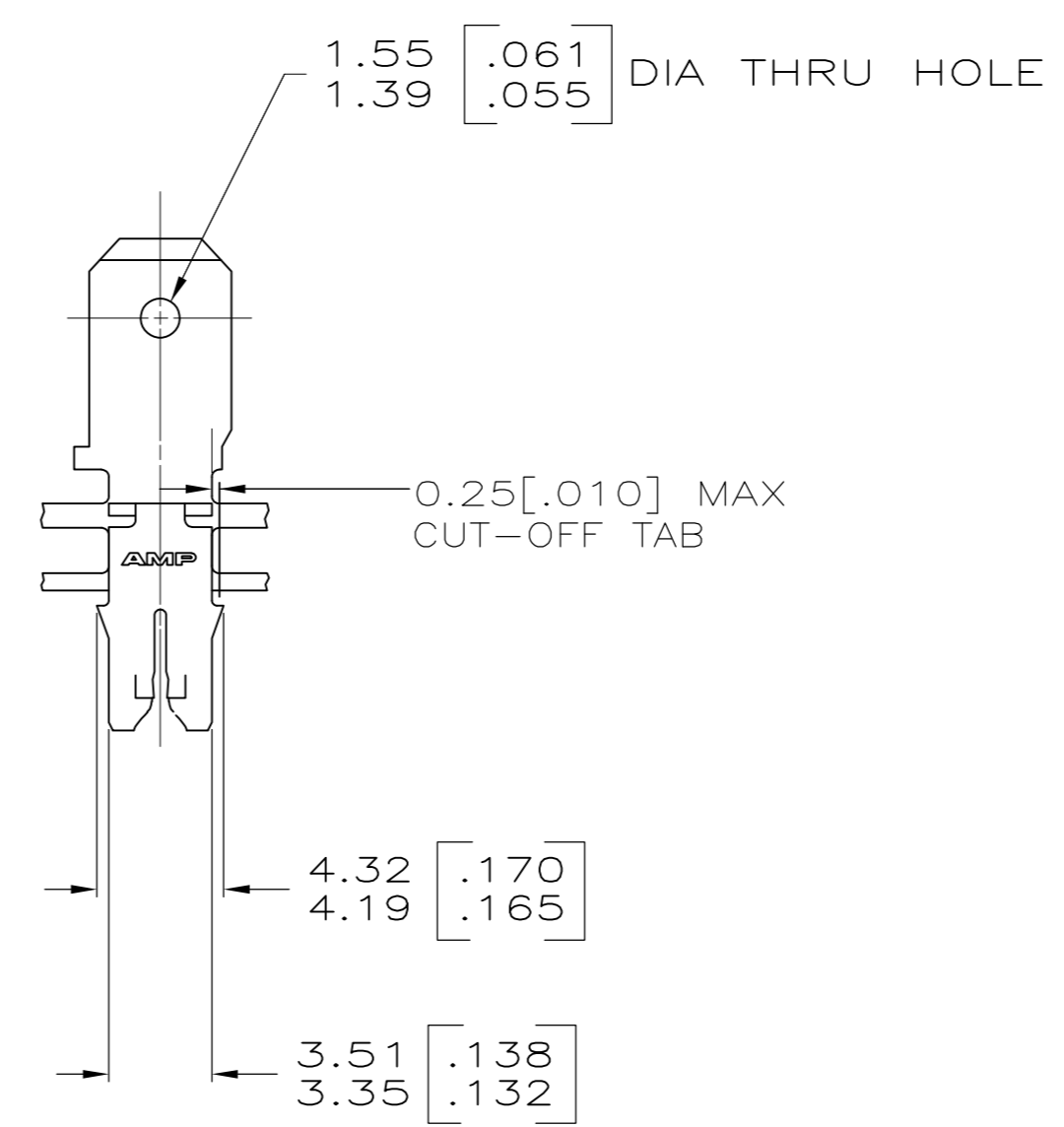
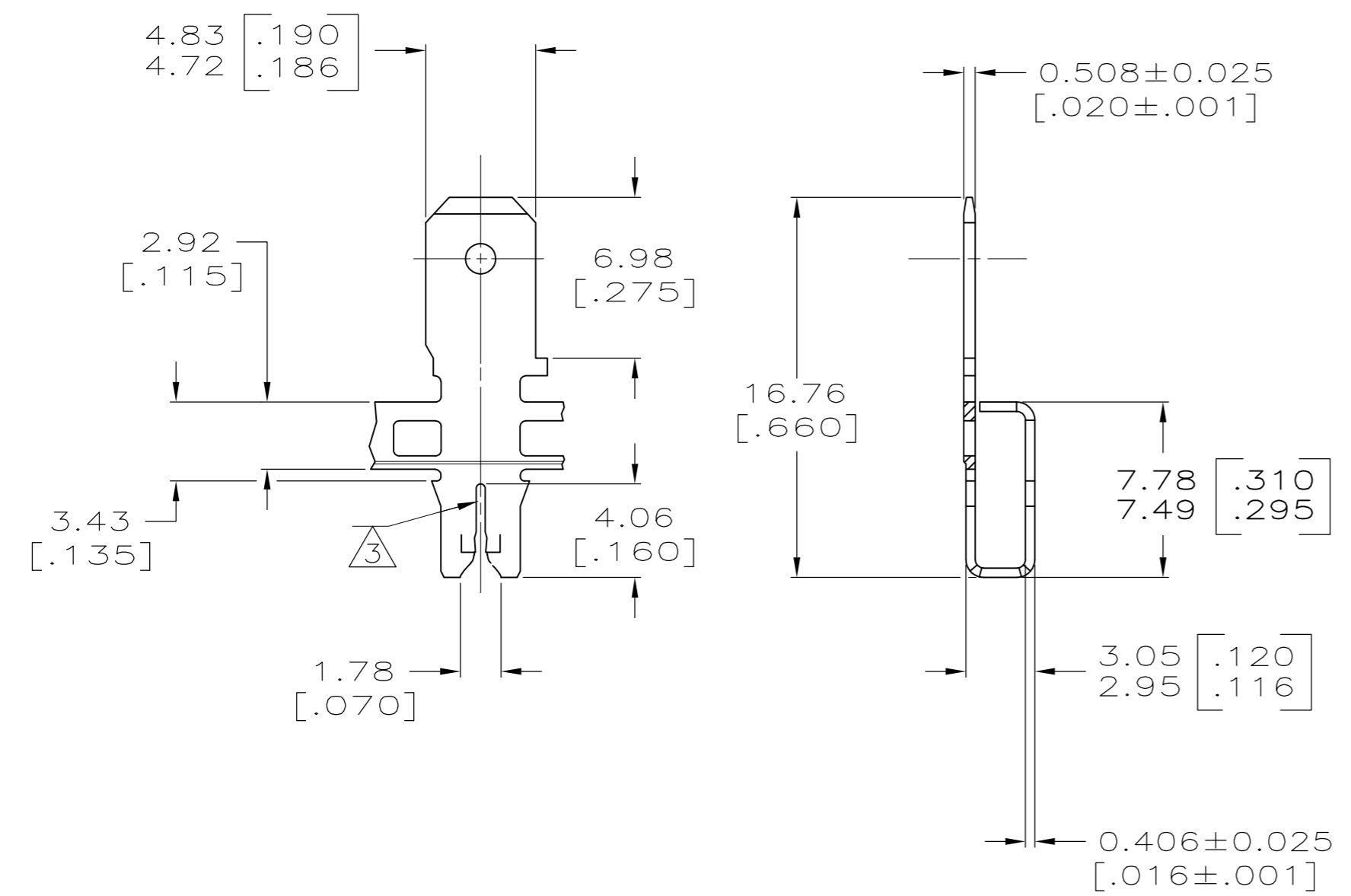


THIS DRAWING IS UNPUBLISHED. RELEASED FOR PUBLICATION
 © COPYRIGHT - By TE CONNECTIVITY ALL RIGHTS RESERVED.

REVISIONS				
P	LTR	DESCRIPTION	DATE	APVD
A		INITIAL RELEASE	06APR2017	SV PKS



- 1 CONTINUOUS STRIP ON REELS WITH TERMINALS LOCATED ON 5.59±0.08 [.220±.003] CENTERS.
- 2 AFTER INSERTION INTO PLASTIC HOLDER TAB PORTION MUST BE BENT 45° TO 90° OR POTTED-IN TO PREVENT PULL-OUT WHEN MATING RECEPTACLE IS DISCONNECTED.
- 3 SLOTTED TERMINATES SINGLE WIRE ONLY.
 COPPER RANGE: 0.65-0.81mm [#22-#20] AWG.
 ALUMINIUM RANGE: 0.72-0.91mm [#21-#19] AWG.
- 4 PART IS REELED WITH INTERLAYER PAPER.



2825386-1
 PART NUMBER

THIS DRAWING IS A CONTROLLED DOCUMENT.		DWN 17NOV2016 VIJAI SUBRAMANIAN		
DIMENSIONS: mm[NCHES]		CHK 17NOV2016 VIJAI SUBRAMANIAN		
TOLERANCES UNLESS OTHERWISE SPECIFIED:		APVD 17NOV16 SENTHIL KUMAR	NAME	
0 PLC ± - 1 PLC ± - 2 PLC ± - 3 PLC ± 0.25[.010] 4 PLC ± - ANGLES ± -		PRODUCT SPEC 108-2012	TAB, 4.75 [.187] FASTON 300 SERIES MAG-MATE	
MATERIAL BRASS		FINISH TIN PLATED	APPLICATION SPEC 114-2046	RESTRICTED TO
		WEIGHT 0	SIZE A2	CAGE CODE 00779
		CUSTOMER DRAWING	DRAWING NO C=2825386	SCALE 4:1
			SHEET 1 OF 1	REV A

2825386

X-ON Electronics

Largest Supplier of Electrical and Electronic Components

Click to view similar products for [Terminals](#) category:

Click to view products by [TE Connectivity](#) manufacturer:

Other Similar products are found below :

[00-054007-01074-6](#) [00-054007-70206-1](#) [00-054007-70210-8](#) [00-054007-70217-7](#) [00-054007-70226-9](#) [00-054007-70228-3](#) [00-054007-70248-1](#) [00-054007-70256-6](#) [00-054007-70301-3](#) [00-054007-70316-7](#) [0-0320562-0](#) [00-054007-49560-4](#) [00-054007-70209-2](#) [00-054007-70225-2](#) [00-054007-70227-6](#) [00-054007-70231-3](#) [00-054007-70241-2](#) [00-054007-70242-9](#) [00-054007-70244-3](#) [00-054007-70246-7](#) [00-054007-70263-4](#) [00-054007-70288-7](#) [00-054007-70290-0](#) [00-054007-70300-6](#) [00-054007-70304-4](#) [01-2065-1-0216](#) [01-2900-1-04412](#) [00581P0075](#) [600TS-10](#) [60205-1](#) [604200-1](#) [605601-1](#) [60598-1-CUT-TAPE](#) [61314-6-C](#) [61810-3](#) [61-S](#) [61-SN](#) [626-0194](#) [62-NBM-A](#) [62-SN](#) [62-SP](#) [63-S](#) [640179-1](#) [M55155/059I03](#) [M55155/079C01](#) [M55155/099H02](#) [M55155/109H01](#) [M55155/109H02](#) [M55155/12XH05](#) [M55155/16XH02](#)