

|     |      |
|-----|------|
| LOC | DIST |
| —   | —    |

REVISIONS

| P | LTR | DESCRIPTION   | DATE      | DWN | APVD |
|---|-----|---|-----------|-----|------|
| G |     | Contact pin base material change from CuSn (Phosphor bronze) to CuZn (Brass). Plating change from min. 0.8microns gold plating to min. 0.7µm Pd Ni + 0.1µm gold flash at contact area (Area F). | 24JUN2014 | TJ  | JK   |

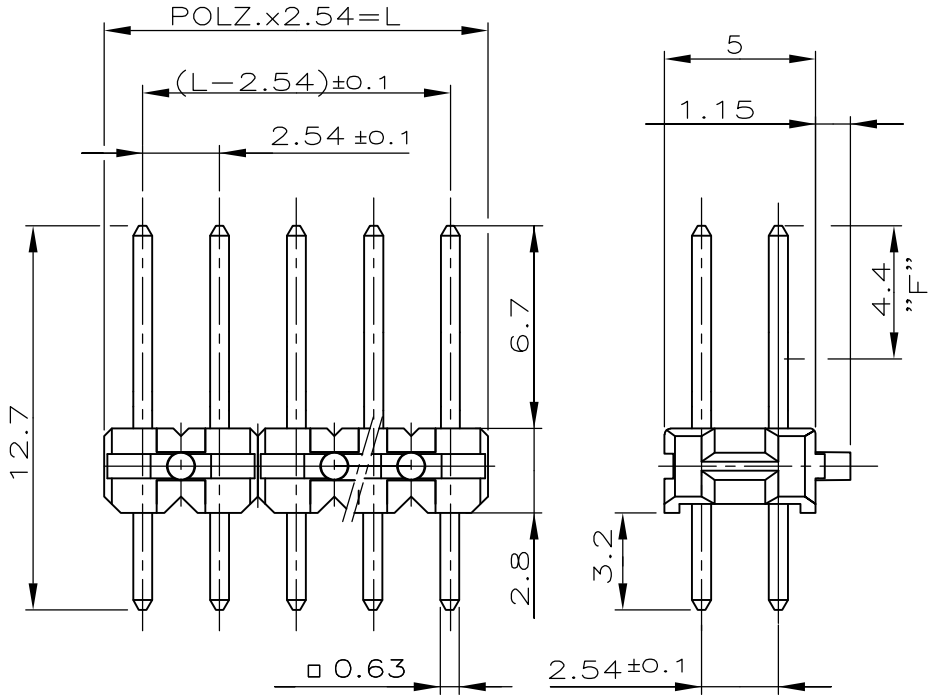
NUMMER 825440

VERWENDET FÜR  
E 92-9802

WAR NR. —

CAD-ORIGINAL  
ZEICHNUNG NICHT ÄNDERN

| POLZ. PRO REIHE | L±0.5  | BESTELL-NR.          |
|-----------------|--------|----------------------|
| —               | —      | —                    |
| 2               | 5.08   | 825 440 -2           |
| 3               | 7.62   | -3                   |
| 4               | 10.16  | -4                   |
| 5               | 12.70  | -5                   |
| 6               | 15.24  | -6                   |
| 7               | 17.78  | -7                   |
| 8               | 20.32  | -8                   |
| 9               | 22.86  | -9                   |
| 10              | 25.40  | 1- -0                |
| 11              | 27.94  | 1- -1                |
| 12              | 30.48  | 1- -2                |
| 13              | 33.02  | 1- -3                |
| 14              | 35.56  | 1- -4                |
| 15              | 38.10  | 1- -5                |
| 16              | 40.64  | 1- -6                |
| 17              | 43.18  | 1- -7                |
| 18              | 45.72  | 1- -8                |
| 19              | 48.26  | 1- -9 <sup>4</sup> △ |
| 20              | 50.80  | 2- -0                |
| 21              | 53.34  | 2- -1 <sup>4</sup> △ |
| 22              | 55.88  | 2- -2 <sup>3</sup> △ |
| 23              | 58.42  | 2- -3                |
| 24              | 60.96  | 2- -4                |
| 25              | 63.50  | 2- -5                |
| 26              | 66.04  | 2- -6 <sup>4</sup> △ |
| 27              | 68.58  | 2- -7 <sup>4</sup> △ |
| 28              | 71.12  | 2- -8 <sup>4</sup> △ |
| 29              | 73.66  | 2- -9                |
| 30              | 76.20  | 3- -0 <sup>4</sup> △ |
| 31              | 78.74  | 3- -1 <sup>4</sup> △ |
| 32              | 81.28  | 3- -2                |
| 33              | 83.82  | 3- -3                |
| 34              | 86.36  | 3- -4                |
| 35              | 88.90  | 3- -5 <sup>4</sup> △ |
| 36              | 91.44  | 3- -6 <sup>4</sup> △ |
| 37              | 93.98  | 3- -7                |
| 38              | 96.52  | 3- -8                |
| 39              | 99.06  | 3- -9                |
| 40              | 101.60 | 4- -0 <sup>4</sup> △ |
| 41              | 104.14 | 4- -1                |
| 42              | 106.68 | 4- -2                |
| 43              | 109.22 | 4- -3                |
| 44              | 111.76 | 4- -4                |
| 45              | 114.30 | 4- -5                |
| 46              | 116.84 | 4- -6                |
| 47              | 119.38 | 4- -7                |
| 48              | 121.92 | 4- -8                |
| 49              | 124.46 | 4- -9                |
| 50              | 127.00 | 5- 825 440 -0        |



△ STECKSEITE: IM BEREICH "F" MIN 0.7µmPdNi+0.1µm GOLD FLASH ÜBER 1.27 µm NICKEL.  
LÖTSEITE: MIN. 2.5 µm ZINN ÜBER 1.27 µm NICKEL

|              |           |            |
|--------------|-----------|------------|
| KONTAKTSTIFT | Cu Zn     | △          |
| STIFTGEHÄUSE | PBT GV    | GRÜN       |
| BENENNUNG    | WERKSTOFF | OBERFLÄCHE |
|              |           | FARBE      |

ZEICHNUNG GÜLTIG AB KW 39/96

RELEASED FOR PUBLICATION

ALL RIGHTS RESERVED.

THIS DRAWING IS UNPUBLISHED.

By -  
COPYRIGHT -

|   |                                 |   |              |
|---|---------------------------------|---|--------------|
| DIMENSIONS:<br>mm                                 | DWN 22.06.84<br>M.SCHAARSCHMIDT | MATERIAL                                | FINISH       |
|   | CHK                             |   |              |
| TOLERANCES UNLESS OTHERWISE SPECIFIED:<br>±0.2 mm | APVD                            | TE Connectivity                         |              |
|   | PRODUCT SPEC                    |   |              |
| 0 PLC ± -   | 108-18012                       | NAME<br>AMPMODU II PIN HEADER, DUAL ROW |              |
| 1 PLC ± -   |                                 | SIZE                                    | CAGE CODE    |
| 2 PLC ±   |                                 | DRAWING NO                              |              |
| 3 PLC ± -   |                                 | RESTRICTED TO                           |              |
| 4 PLC ± -   |                                 | A4 00779 C-825440                       |              |
| ANGLES ± -  | WEIGHT                          | CUSTOMER DRAWING                        |              |
|   |                                 | SCALE 4:1                               | SHEET 1 OF 2 |
|   |                                 |   | REV G        |

|     |      |           |     |             |      |     |      |
|-----|------|-----------|-----|-------------|------|-----|------|
| LOC | DIST | REVISIONS |     |             |      |     |      |
| —   | —    | P         | LTR | DESCRIPTION | DATE | DWN | APVD |
|     |      |           | -   | SEE SHEET 1 | -    | -   | -    |

VERWENDET FÜR  
E 92-9802  
WAR NR. —

CAD-ORIGINAL  
ZEICHNUNG NICHT ÄNDERN

| Polz.<br>pro<br>Reihe | L±0.5 | Bestell-Nr. |            | Bemerkung |
|-----------------------|-------|-------------|------------|-----------|
| 1                     | 2.54  | 5-          | -1         |           |
| 2                     | 5.08  | 5-          | -2         |           |
| 3                     | 7.62  | 5-          | -3         |           |
| 4                     | 10.16 | 5-          | -4         |           |
| 5                     | 12.70 | 5-          | -5         |           |
| 6                     | 15.24 | 5-          | -6         |           |
| 7                     | 17.78 | 5-          | -7         |           |
| 8                     | 20.32 | 5-          | -8         |           |
| 9                     | 22.86 | 5-          | -9         |           |
| 10                    | 25.40 | 6-          | 0          |           |
| 11                    | 27.94 | 6-          | -1         |           |
| 12                    | 30.48 | 6-          | -2         |           |
| 13                    | 33.02 | 6-          | -3         |           |
| 14                    | 35.56 | 6-          | -4         |           |
| 15                    | 38.10 | 6-          | -5         |           |
| 16                    | 40.64 | 6-          | -6         |           |
| 17                    | 43.18 | 6-          | 825 440 -7 | △         |
| 18                    | 45.72 | 6-          | -8         |           |
| 19                    | 48.26 | 6-          | -9         |           |
| 20                    | 50.80 | 7-          | 0          |           |

△ VERPACKUNG: 25 STÜCK IN PLASTIK-DOSE  
PN 165 439-1 MIT PLASTIK-DECKEL  
PN 165 440-1

△ OBSOLETE PARTS: OBSOLETE CIS STREAMLINING PER D.RENAUD/D.SINISI

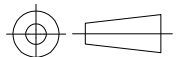
△ OBSOLETE

|           |           |                     |
|-----------|-----------|---------------------|
|           |           |                     |
|           |           |                     |
| BENENNUNG | WERKSTOFF | OBERFLÄCHE<br>FARBE |

ZEICHNUNG GÜLTIG AB KW 39/96

THIS DRAWING IS UNPUBLISHED. ALL RIGHTS RESERVED.

COPYRIGHT - By -

|   |                  |                                      |               |            |
|---|------------------|--------------------------------------|---------------|------------|
| DIMENSIONS:<br>mm   | DWN              | 07.06.84                             | MATERIAL      | FINISH     |
|   | CHK              | 13.06.84                             | -             |            |
| TOLERANCES UNLESS OTHERWISE SPECIFIED:  | M.SCHAARSCHMIDT  |                                      |               |            |
|   | APVD             | -                                    |               |            |
| 0 PLC ± -<br>1 PLC ± -<br>2 PLC ± -<br>3 PLC ± -<br>4 PLC ± -<br>ANGLES ± -         | PRODUCT SPEC     | NAME                                 |               |            |
|   | APPLICATION SPEC | AMPMODU II STIFTLAISTE<br>ZWEIREIHIG |               |            |
|  | WEIGHT           | SIZE                                 | CAGE CODE     | DRAWING NO |
|   | -                | A4                                   | 00779         | C-825440   |
| CUSTOMER DRAWING  |                  |                                      | RESTRICTED TO | REV        |
|   |                  |                                      | SCALE         | SHEET      |
|   |                  |                                      | 4:1           | 2 OF 2     |
|   |                  |                                      |               | G          |

## X-ON Electronics

Largest Supplier of Electrical and Electronic Components

*Click to view similar products for [Headers & Wire Housings](#) category:*

*Click to view products by [TE Connectivity](#) manufacturer:*

Other Similar products are found below :

[892-18-020-10-001101](#) [58102-G61-06LF](#) [582553-1](#) [0009485154](#) [009176003701906](#) [0050291907](#) [LY20-4P-DT1-P1E-BR](#) [02.125.8002.8](#)  
[609-3404](#) [61062-3](#) [61082-181009](#) [622-3653LF](#) [63453-116](#) [636-1030](#) [636-1427](#) [636-3427](#) [636-4007](#) [641938-9](#) [641991-4](#) [644827-2](#) [65817-](#)  
[010LF](#) [65817-015LF](#) [65863-015LF](#) [66207-023LF](#) [67095-007LF](#) [67601157](#) [68645-018](#) [68648-049](#) [70.362.1628.0](#) [70-4210](#) [70-4226B](#) [70-](#)  
[4853B](#) [707-5020](#) [707-5028](#) [71.350.2428.0](#) [71918-208LF](#) [71961-016LF](#) [733-134](#) [733-162](#) [754199-000](#) [760-3052](#) [79531-3000](#) [FCN-](#)  
[360C032-B](#) [FCN-367T-T012/H](#) [FCN-723D010/2](#) [80.063.4001.1](#) [800-90-010-10-002000](#) [801-43-002-10-013000](#) [801-43-006-10-002000](#)  
[801-93-011-10-001000](#)