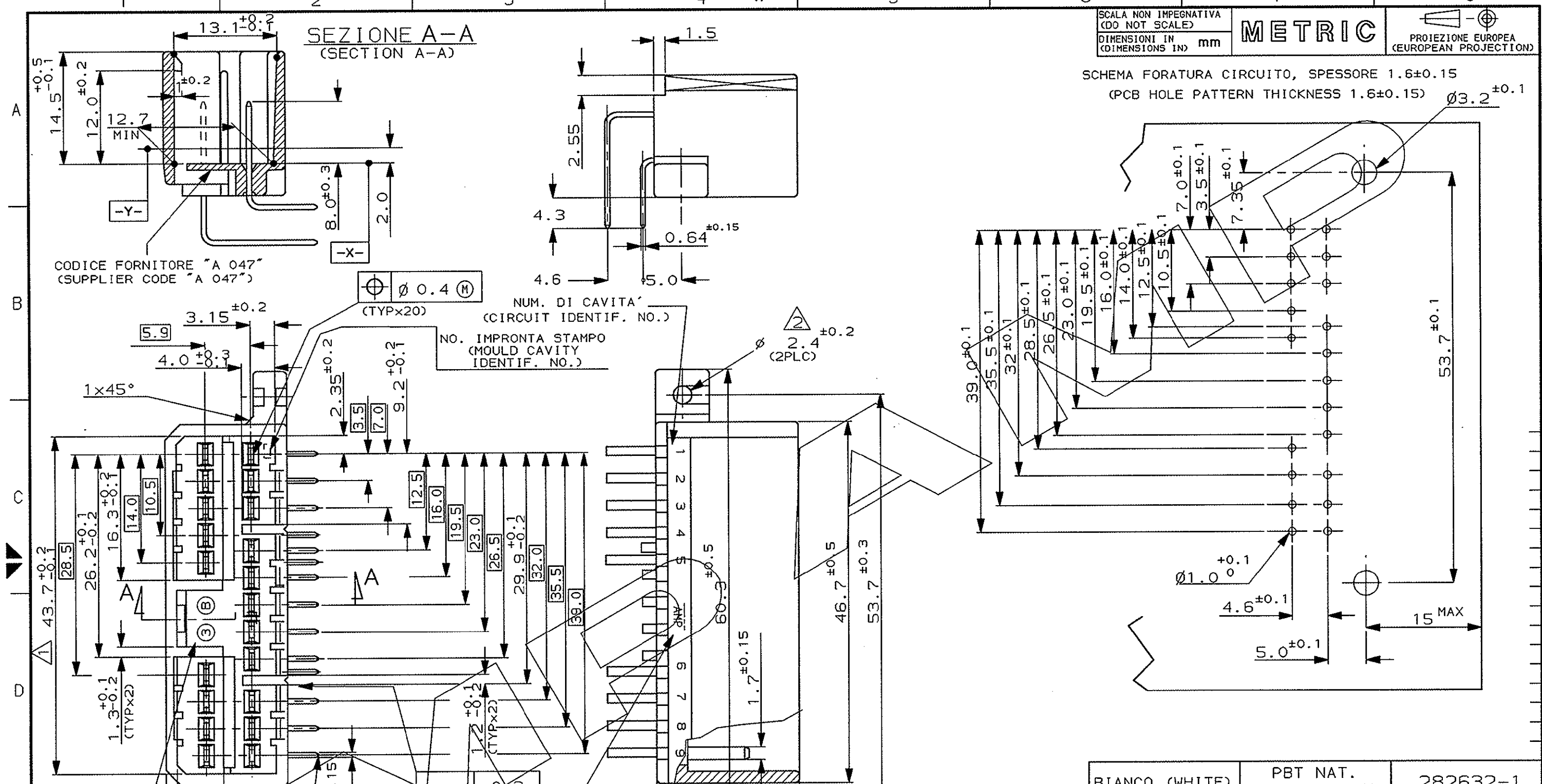


SCHEMA FORATURA CIRCUITO, SPESORE 1.6±0.15  
 (PCB HOLE PATTERN THICKNESS 1.6±0.15) Ø3.2 ±0.1



- 1) QUOTE MISURATE TRA I PIANI -X- E -Y-.  
 (DIMENSIONS MUST BE KEPT BETWEEN -X- AND -Y-).
- 2) FORI PER DUE VITI AUTOFILETTANTI M3, DA APPLICARE PRIMA DELLA STAGNATURA AD ONDA.  
 (HOLES FOR TWO TAPPING SCREWS M3, BEFORE SOLDERING OPERATION).
- 3) BLOCCHETTO ADATTO PER CONTROPARTE PLUG 20 VIE P/N 282369-1 E P/N 174952-1  
 (HOUSING SUITABLE FOR PLUG 20 POSITION P/N 282369-1 AND P/N 174952-1).
- 4) TAB IN OTTONE STAGNATO  
 (TAB: BRASS TIN PLATED)

|      |   |      |             |
|------|---|------|-------------|
| REV. | REVISIONI (REVISION RECORD)   | DIS. | DATA (DATE) |
| B    | REVISED FOR ET00-0025-04  | M.P. | 25-2 '94    |
| A3   | ADDED NEW DASHES -2/-3/-4 (NOT YET RELEASED FOR PRODU.) WITH ECN ET00-0257-98 | M.P. | 29-7 '97    |
| A2   | REVISED FOR ET00-0352-97  | M.P. | 29-7 '97    |
| A1   | RELEASED FOR PROD.-1 ET00-0072-97 -1 IN PRODUZIONE CON ET00-0072-97           | M.P. | 27-2 '97    |
| A    | PRIMA EMISSIONE ET00-0049-96 FIRST ISSUE ET00-0049-96                         | M.P. | 6-6 '96     |

|  |  |  |
|--|--|--|
| BIANCO (WHITE)   | PBT NAT. (PBT UNFILLED)  | 282632-1                                 |
| FINITURA / COLORE (FINISH / COLOUR)  | MATERIALE (MATERIAL)   | NUMERO (PART NUMBER)                     |
| CUSTOMER DWG. FOR REFERENCE ONLY   |  | DISEGNO PER CLIENTE SOLO PER RIFERIMENTO |
| THIS DRAWING IS UNPUBLISHED  |  | RELEASE FOR PUBLICATION                  |
| © COPYRIGHT 19 BY AMP INCORPORATED, HARRISBURG, PA. ALL INTERNATIONAL RIGHT RESERVED. AMP PRODUCTS MAY BE COVERED BY U.S. AND FOREIGN PATENT AND/OR PATENT PENDING |  |  |
| TOLLERANZE: SE NON DIVERSAMENTE SPECIFICATO  | DIAM. ISOLANTE (INS. DIA. RANGE)   | RANGO FILO (WIRE RANGE)                  |
| (TOLERANCES, UNLESS OTHERWISE SPECIFIED)   | -  | -  |
| ± 0.3  | SCALA (SCALE) 2:1  |  |
| ANGOLI (ANGLES) ± 2°   | AMP ITALIA S.p.A.<br>Corso F.lli Cervi, 15<br>COLLEGGNO (TORINO)                       |  |
| DIS. 19-FEB-96 (DR.) M. PALMA  | DESCRIZIONE (DESCRIPTION) 070 Sr. MULTILOCK* CONN. HEADER, 20 POSITION HORIZONTAL TYPE |  |
| CONT. 19-FEB-96 (CHK) C. TARTARI   | LOC. I A3 C - 282632   | REV. B                                   |
| APP. (APP.)  | SIZE (SHEET) 1 DI (OF) 4   | FOLIO (SHEET) 4                          |

DISTRIBUZIONE (PRINT DIST.)

SCALA NON IMPEGNATIVA  
(DO NOT SCALE)  
DIMENSIONI IN mm  
(DIMENSIONS IN mm)

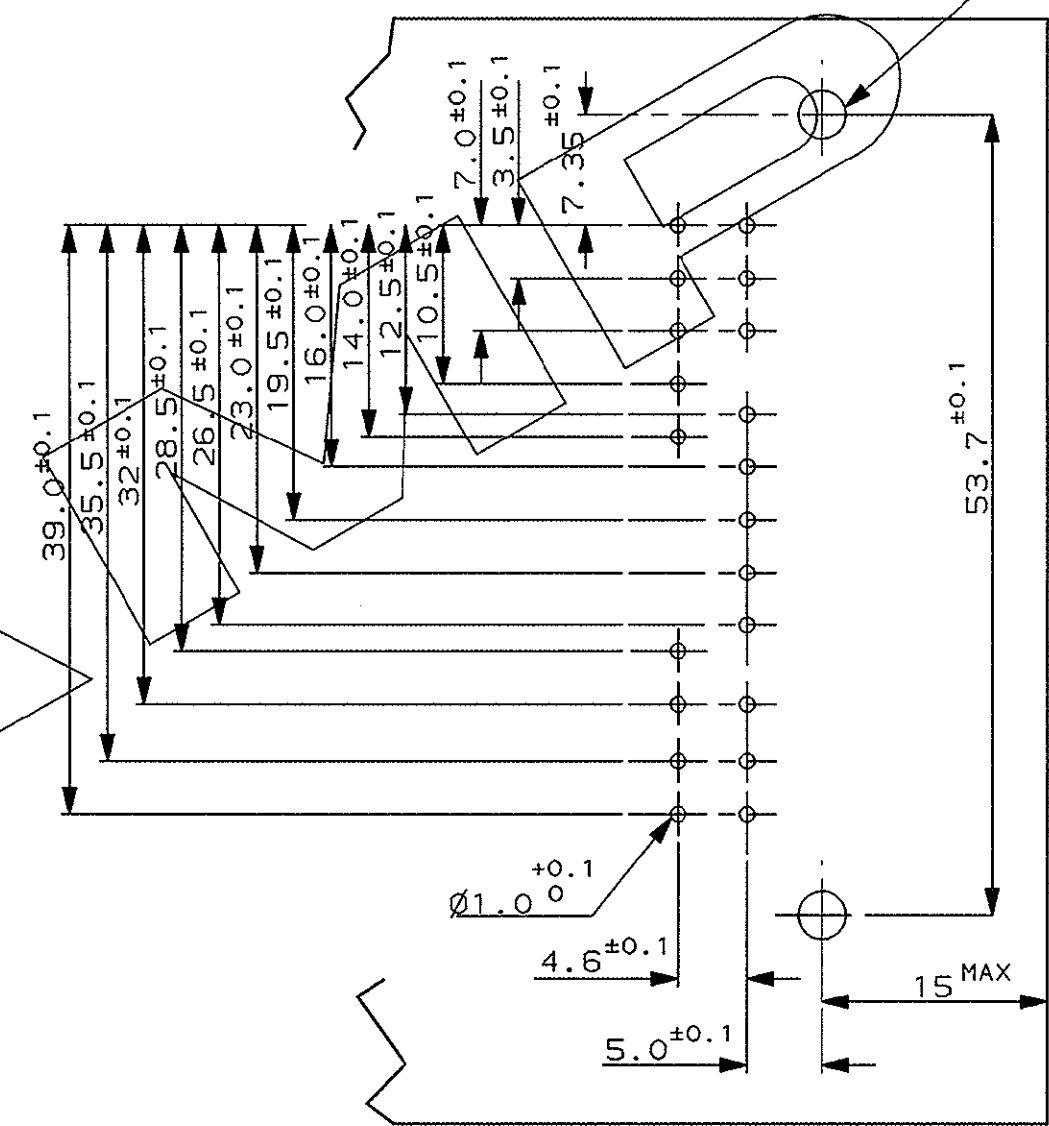
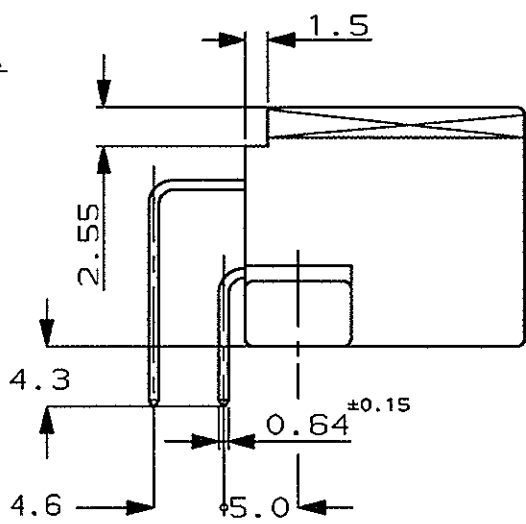
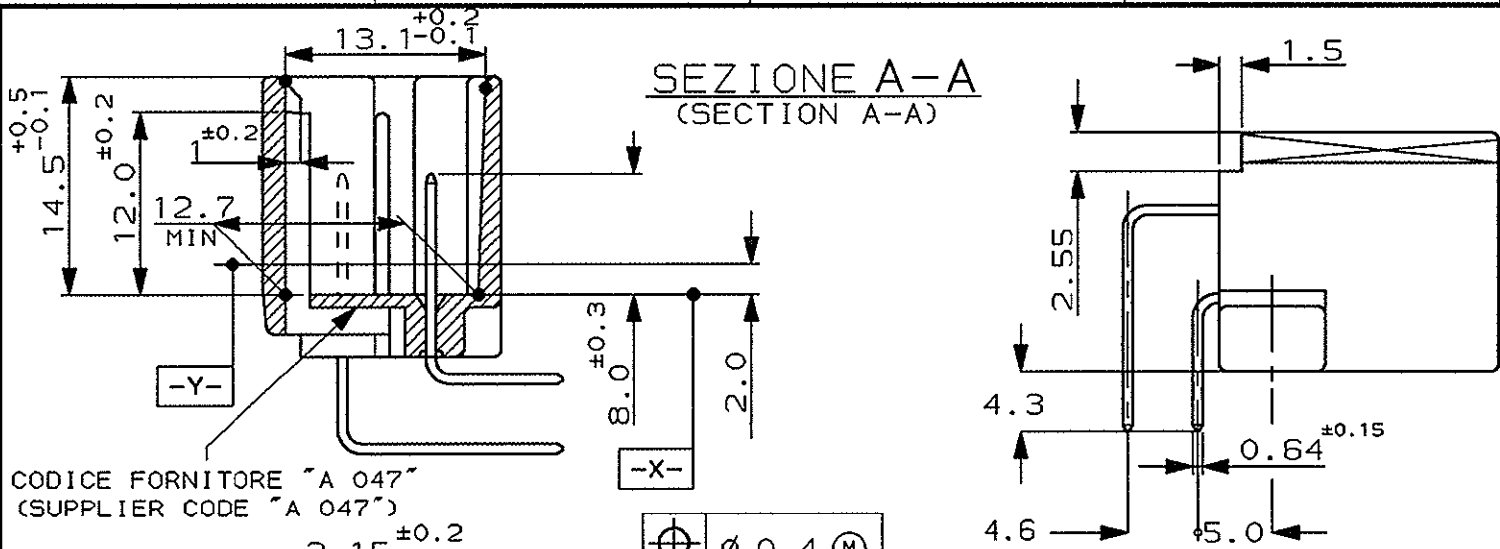
**METRIC**

PROIEZIONE EUROPEA  
(EUROPEAN PROJECTION)

SCHEMA FORATURA CIRCUITO, SPESSORE 1.6±0.15  
(PCB HOLE PATTERN THICKNESS 1.6±0.15)

Ø3.2 ±0.1

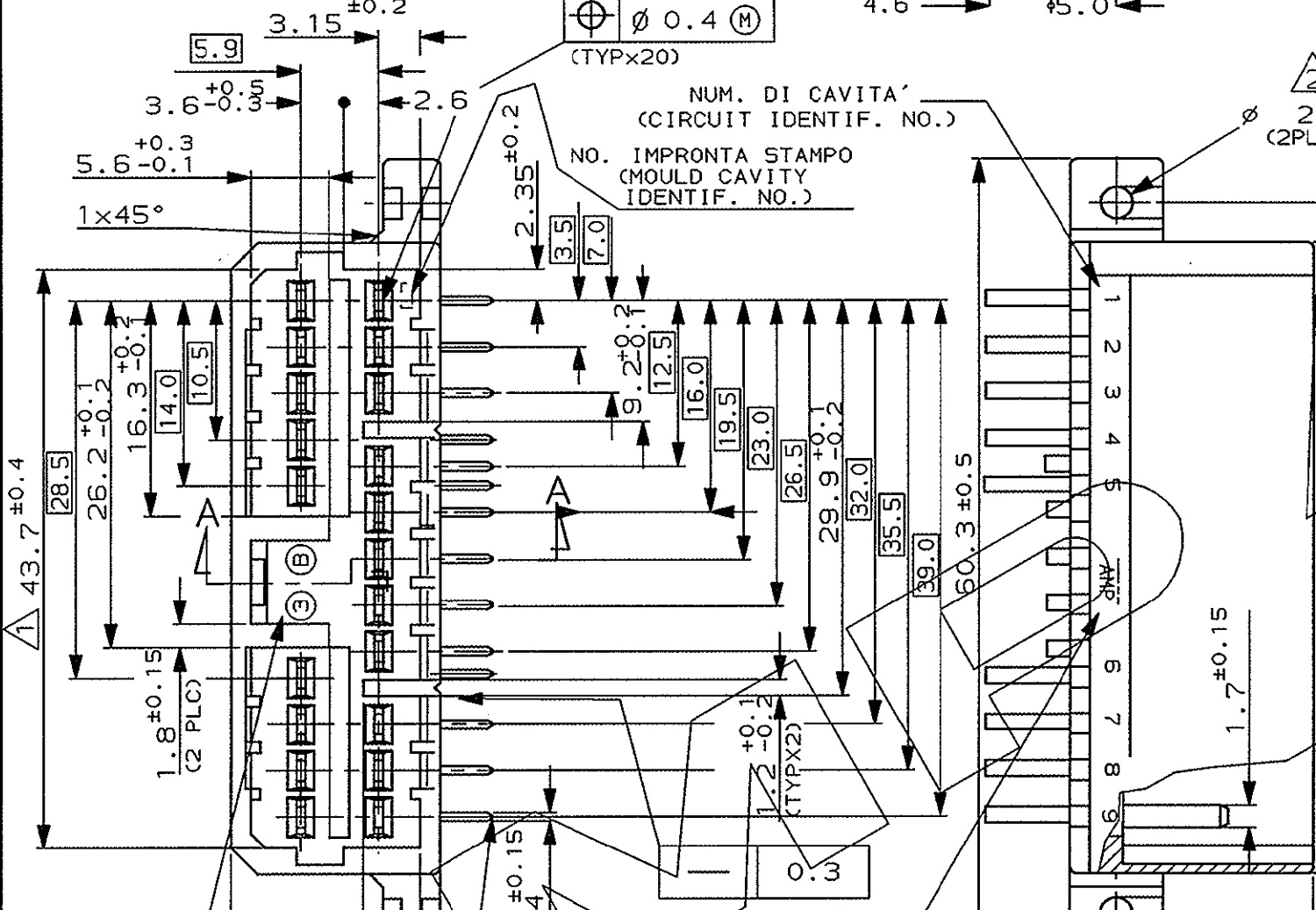
**SEZIONE A-A**  
(SECTION A-A)



CODICE FORNITORE "A 047"  
(SUPPLIER CODE "A 047")

Ø 0.4 (M)  
(TYPx20)

NUM. DI CAVITA' (CIRCUIT IDENTIF. NO.)  
NO. IMPRONTA STAMPO (MOULD CAVITY IDENTIF. NO.)



DATARIO (DATE CODE)

MARCHIO DI FABBRICA (AMP TRADE MARK)

Ø 0.4 (M)  
(TYPx20)

|                                     |                         |                      |
|-------------------------------------|-------------------------|----------------------|
| NERO (BLACK)                        | PBT NAT. (PBT UNFILLED) | 282632-2             |
| FINITURA / COLORE (FINISH / COLOUR) | MATERIALE (MATERIAL)    | NUMERO (PART NUMBER) |

CUSTOMER DWG. FOR REFERENCE ONLY  
DISEGNO PER CLIENTE SOLO PER RIFERIMENTO

THIS DRAWING IS UNPUBLISHED RELEASE FOR PUBLICATION

© COPYRIGHT 19 BY AMP INCORPORATED, HARRISBURG, PA. ALL INTERNATIONAL RIGHT RESERVED. AMP PRODUCTS MAY BE COVERED BY U.S. AND FOREIGN PATENT AND/OR PATENT PENDING

|  |                                  |                         |               |
|--|----------------------------------|-------------------------|---------------|
| TOLLERANZE, SE NON DIVERSAMENTE SPECIFICATO (TOLERANCES, UNLESS OTHERWISE SPECIFIED) | DIAM. ISOLANTE (INS. DIA. RANGE) | RANGO FILO (WIRE RANGE) | SCALA (SCALE) |
| ± 0.3  | -                                | -                       | 2:1           |

ANGOLI (ANGLES) ± 2°

**AMP** AMP ITALIA S.p.A.  
Corso F.lli Cervi, 15  
COLLEGNO (TORINO)

DESCRIZIONE (DESCRIPTION) 070 Sr. MULTILOCK\* CONN.  
HEADER, 20 POSITION HORIZONTAL TYPE

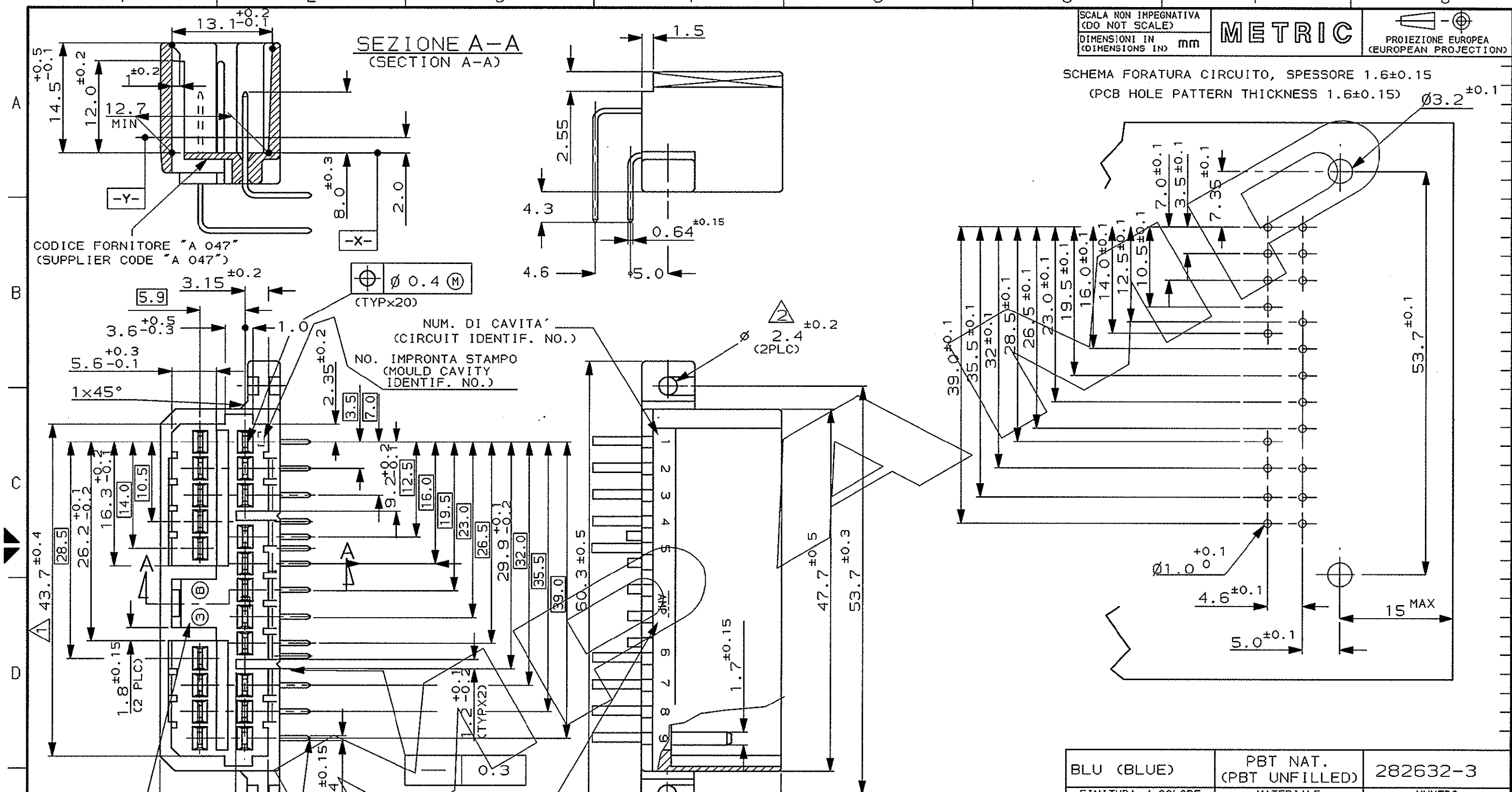
|             |             |                 |      |                |
|-------------|-------------|-----------------|------|----------------|
| LOC. (LOC.) | SIZE (SIZE) | NUMERO (DWG NO) | REV. | FOGLIO (SHEET) |
| I           | A3          | C-282632        | B    | 2 DI 4         |

|             |                             |           |             |
|-------------|-----------------------------|-----------|-------------|
| REV. (REV.) | REVISIONI (REVISION RECORD) | DIS. (DR) | DATA (DATE) |
|             |                             |           |             |

- QUOTE MISURATE TRA I PIANI -X- E -Y-. (DIMENSIONS MUST BE KEPT BETWEEN -X- AND -Y-).
- FORI PER DUE VITI AUTOFILETTANTI M3, DA APPLICARE PRIMA DELLA STAGNATURA AD ONDA. (HOLES FOR TWO TAPPING SCREWS M3, BEFORE SOLDERING OPERATION).
- BLOCCHETTO ADATTO PER CONTROPARTE PLUG 20 VIE P/N 282369-2. (HOUSING SUITABLE FOR PLUG 20 POSITION P/N 282369-2)
- TAB IN OTTONE STAGNATO (TAB: BRASS TIN PLATED)

SEZIONE A-A  
 (SECTION A-A)

SCHEMA FORATURA CIRCUITO, SPESSORE 1.6±0.15  
 (PCB HOLE PATTERN THICKNESS 1.6±0.15)



CODICE FORNITORE "A 047"  
 (SUPPLIER CODE "A 047")

Ø 0.4 (M)  
 (TYPx20)

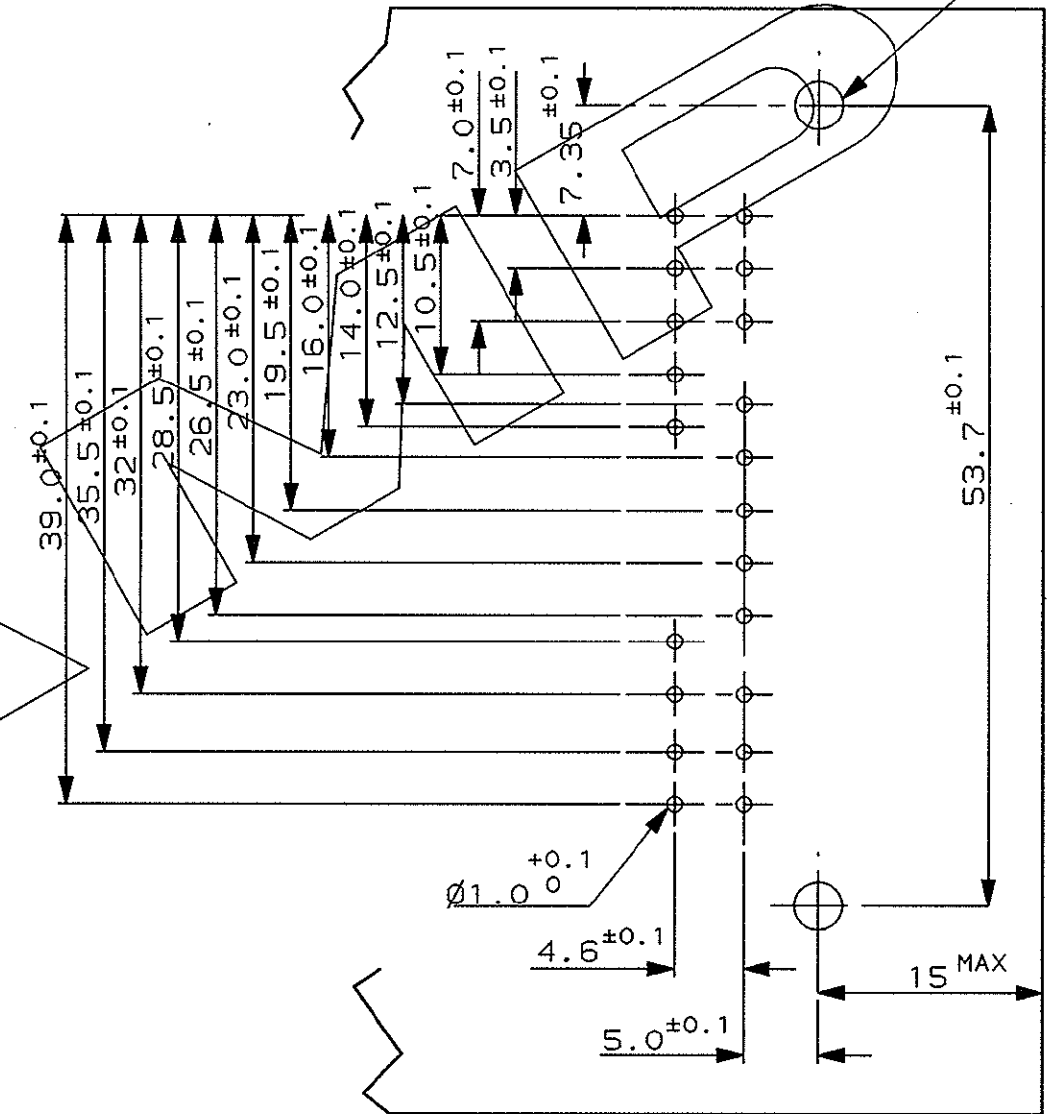
NUM. DI CAVITA'  
 (CIRCUIT IDENTIF. NO.)  
 NO. IMPRONTA STAMPO  
 (MOULD CAVITY IDENTIF. NO.)

Ø 0.4 (M)  
 (TYPx20)

DATARIO  
 (DATE CODE)

MARCHIO DI FABBRICA  
 (AMP TRADE MARK)

- 1) QUOTE MISURATE TRA I PIANI -X- E -Y-.  
 (DIMENSIONS MUST BE KEPT BETWEEN -X- AND -Y-).
- 2) FORI PER DUE VITI AUTOFILETTANTI M3, DA APPLICARE PRIMA DELLA STAGNATURA AD ONDA.  
 (HOLES FOR TWO TAPPING SCREWS M3, BEFORE SOLDERING OPERATION).
- 3) BLOCCHETTO ADATTO PER CONTROPARTE PLUG 20 VIE P/N 282369-3.  
 (HOUSING SUITABLE FOR PLUG 20 POSITION P/N 282369-3)
- 4) TAB IN OTTONE STAGNATO  
 (TAB: BRASS TIN PLATED)



|                                     |                         |                      |
|-------------------------------------|-------------------------|----------------------|
| BLU (BLUE)                          | PBT NAT. (PBT UNFILLED) | 282632-3             |
| FINITURA / COLORE (FINISH / COLOUR) | MATERIALE (MATERIAL)    | NUMERO (PART NUMBER) |

CUSTOMER DWG. FOR REFERENCE ONLY  
 DISEGNO PER CLIENTE SOLO PER RIFERIMENTO

THIS DRAWING IS UNPUBLISHED  
 RELEASE FOR PUBLICATION

© COPYRIGHT 19 BY AMP INCORPORATED, HARRISBURG, PA. ALL INTERNATIONAL RIGHT RESERVED. AMP PRODUCTS MAY BE COVERED BY U.S. AND FOREIGN PATENT AND/OR PATENT PENDING

|  |                                   |                          |                   |
|--|-----------------------------------|--------------------------|-------------------|
| TOLLERANZE, SE NON DIVERSAMENTE SPECIFICATO (TOLERANCES, UNLESS OTHERWISE SPECIFIED) | DIAM. ISOLANTE (INS. DIA. RANG) - | RANGO FILO (WIRE RANG) - | SCALA (SCALE) 2:1 |
|--|-----------------------------------|--------------------------|-------------------|

ANGOLI (ANGLES) ± 0.3  
 ± 2°

**AMP** AMP ITALIA S.p.A.  
 Corso F.lli Cervi, 15  
 COLLEGGNO (TORINO)

DESCRIZIONE (DESCRIPTION) 070 Sr. MULTILOCK\* CONN.  
 HEADER, 20 POSITION HORIZONTAL TYPE

|                      |                                |        |                             |
|----------------------|--------------------------------|--------|-----------------------------|
| LOC. SIZE (LOC. NO.) | NUMERO (SHEET) I A3 C - 282632 | REV. B | FUOGLIO (SHEET) 3 DI (OF) 4 |
|----------------------|--------------------------------|--------|-----------------------------|

|                 |                             |                      |                 |
|-----------------|-----------------------------|----------------------|-----------------|
| REV. (REV. NO.) | REVISIONI (REVISION RECORD) | DIS. DATA (DR. DATE) | APP. (APP. NO.) |
|-----------------|-----------------------------|----------------------|-----------------|

SEE SHEET 1 OF 4

SEE SHEET 1 OF 4



## X-ON Electronics

Largest Supplier of Electrical and Electronic Components

*Click to view similar products for [Automotive Connectors](#) category:*

*Click to view products by [TE Connectivity](#) manufacturer:*

Other Similar products are found below :

[003-018-000](#) [60403001](#) [60993906-B](#) [M902-2131](#) [M902-2161](#) [72.330.1035.1](#) [73.353.4028.0](#) [F119300-B](#) [F166900](#) [F258300-B](#) [F358300-B](#)  
[F407400](#) [F444110](#) [F487000](#) [F509500B-B](#) [827153-1](#) [8N1515-32-24P](#) [9-1326729-8](#) [925474-1](#) [928905-1](#) [964562-4](#) [968782-1](#) [GT17SA-8DS-](#)  
[HU](#) [98891-1012](#) [98947-1016](#) [12004147](#) [12004475-L](#) [12010290](#) [12010309-B](#) [12015454](#) [12020219-B](#) [12020308](#) [12041318-B](#) [12052225-L](#)  
[12052466](#) [12059125](#) [12064869](#) [12004327-B](#) [12010503-B](#) [12015308](#) [12015384](#) [12015909](#) [1-21030-1](#) [12041254](#) [12041318](#) [12047946-B](#)  
[12047957](#) [12047957-L](#) [12059473](#) [12066261](#)