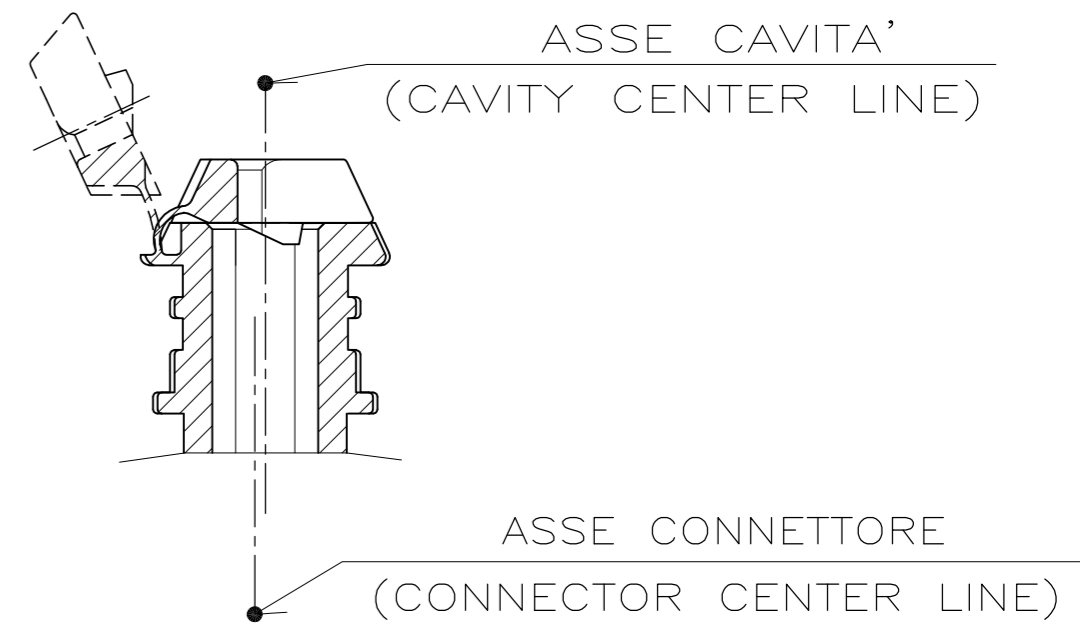
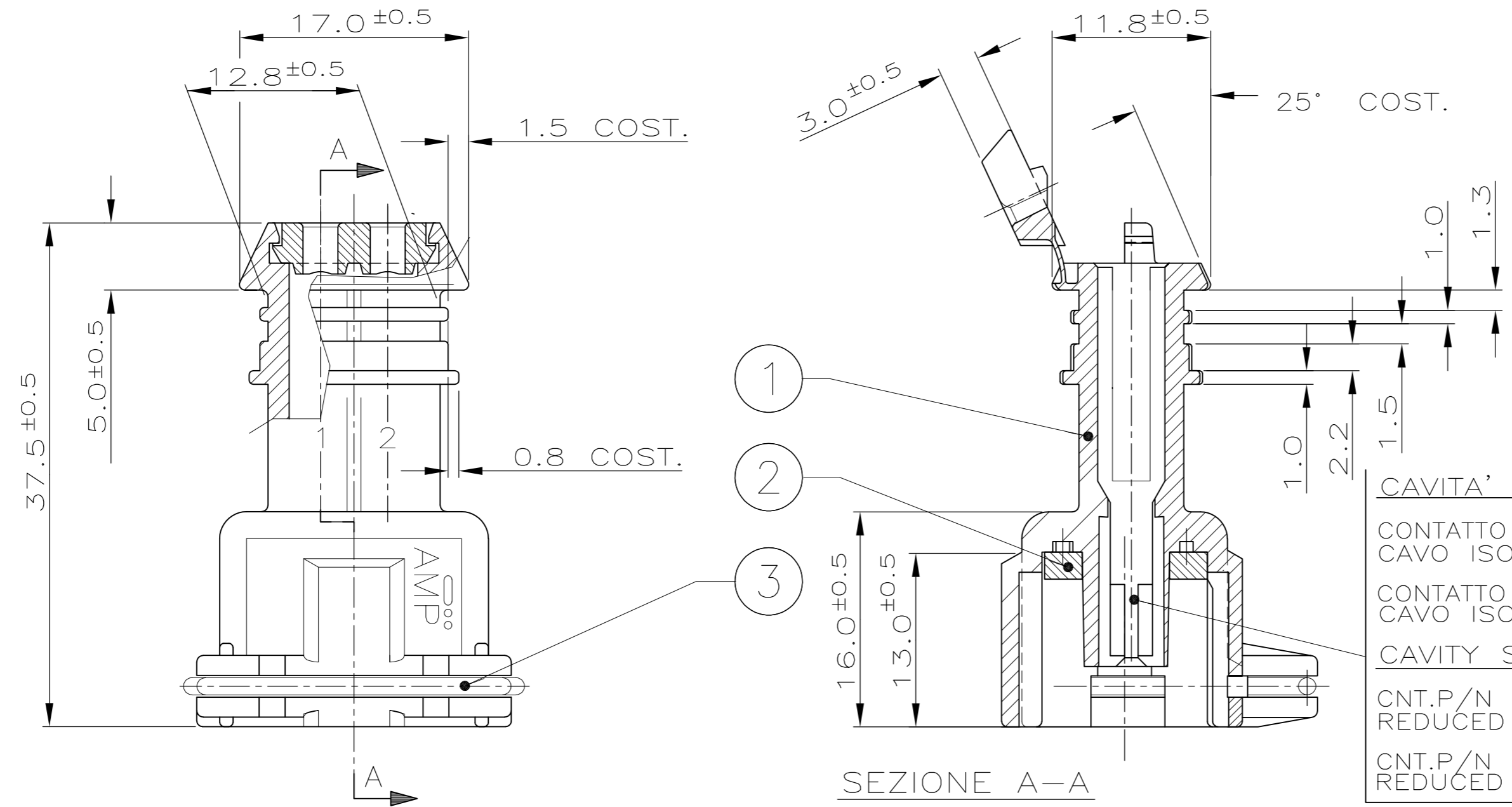


THIS DRAWING IS UNPUBLISHED.
 QUESTO DISEGNO NON DEVE ESSERE DIVULGATO O RIPRODOTTO.
 RELEASED FOR PUBLICATION
 E' CONSENTITA LA DIVULGAZIONE
 ALL RIGHTS RESERVED.
 TUTTI I DIRITTI SONO RISERVATI

| LOC | DIST | P | LTR | REV | DESCRIPTION | DATE | DWN | APVD |
|-----|------|----|-----|-----|---------------------------|-----------|-----|------|
| I | - | | | | | | | |
| | | C1 | | | REVISED PER ECO-11-005033 | 30MAR11 | RK | HMR |
| | | D | | | ECR-14-003472 | 24MAR14 | MP | MG |
| | | D1 | | | REVISED PER ECO-20-003218 | 13MAY2020 | AP | VN |

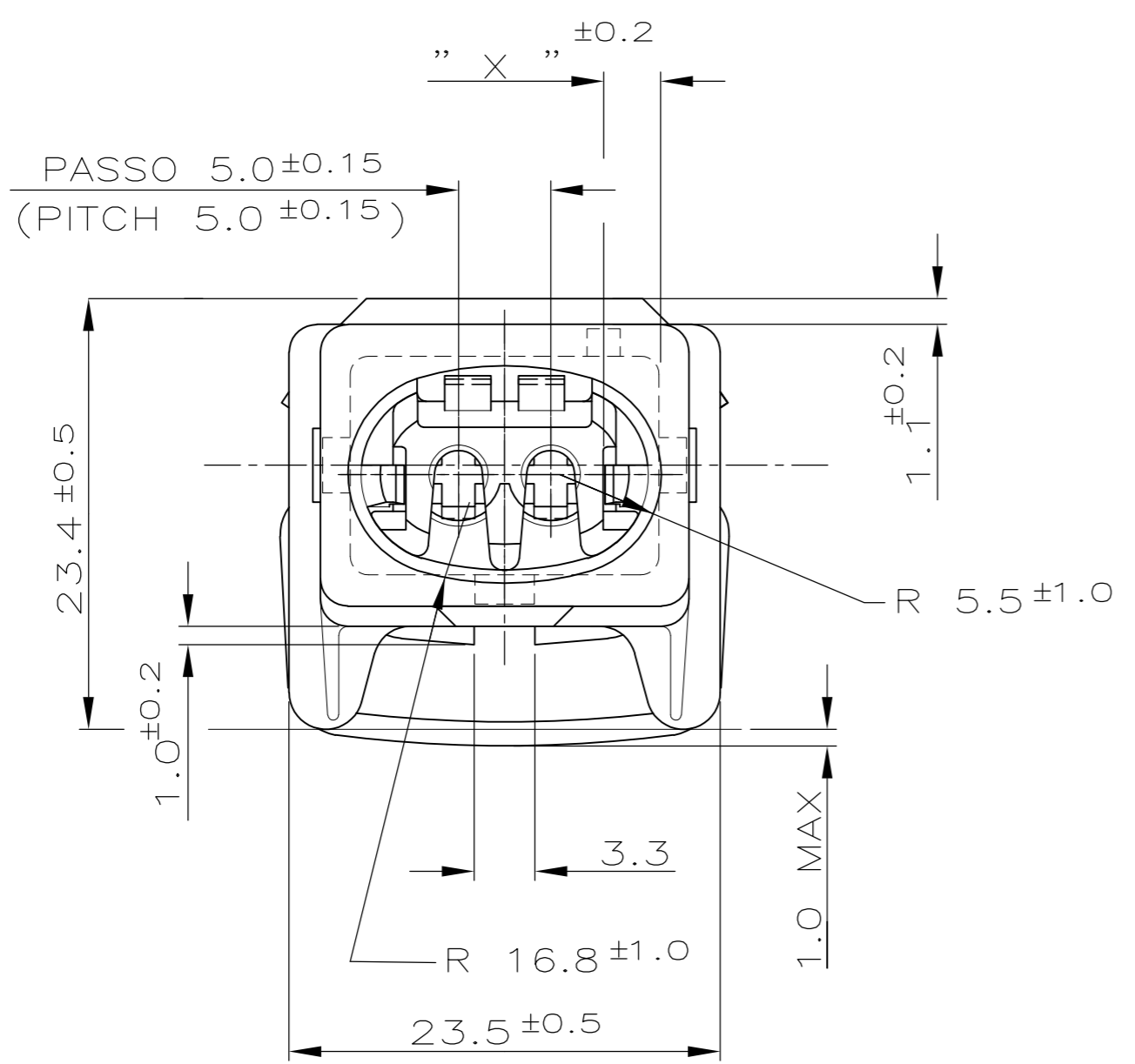
CONNETTORE TIPO A (CON MOLLA DI RITEGNO ESTERNA)
 CONNECTOR TYPE A (WITH EXTERNAL SPRING)



CAVITA' ADATTA PER TERMINALI JUNIOR POWER TIMER:
 CONTATTO P/N 929939-1 0 -3 CON GOMMINO P/N 828904-1,
 CAVO ISOLANTE RIDOTTO ϕ 1.5-2.1mm; SEZIONE 0.5-1.0mm²
 CONTATTO P/N 929937-1 0 -3 CON GOMMINO P/N 828905-1,
 CAVO ISOLANTE RIDOTTO ϕ 2.2-3.0mm; SEZIONE 1.5-2.5mm²
 CAVITY SUITABLE FOR JUNIOR POWER TIMER CONTACT:
 CNT.P/N 929939-1 OR -3 PLUS WIRE SEAL P/N 828904-1
 REDUCED INS. CABLE ϕ 1.5-2.1mm; WIRE RANGE 0.5-1.0mm²
 CNT.P/N 929937-1 OR -3 PLUS WIRE SEAL P/N 828905-1
 REDUCED INS. CABLE ϕ 2.2-3.0mm; WIRE RANGE 1.5-2.5mm²

SEZIONE A-A
 (SECTION A-A)

1 DIFFERISCE DAL ..-1 ESCLUSIVAMENTE PER IL PACKAGING
 (DIFFERS FROM ..-1 ONLY FOR PACKAGING DETAILS)
 2) PER DIMENSIONI CONTROPARTE VEDERE FOGLIO 2 .
 (FOR COUNTERPART DIMENSIONS SEE SHEET 2).



| OBSOLETE | 4.9 | MARRONE(BROWN) | 2-282682-1 | 1 | | | | |
|----------|-------|----------------|---------------------|-----------|-------------------------------------|------------------------------------|-----------------------------|--|
| | 3.1 | GIALLO(YELLOW) | 282685-1 | | | | | |
| | 12.1 | BIANCO (WHITE) | 282684-1 | 3 | //// | ACCIAIO INOX (STAINLESS STEEL) | MOLLA (SPRING) | |
| | 10.3 | BLU (BLUE) | 282683-1 | | | | | |
| | 4.9 | MARRONE(BROWN) | 282682-1 | 2 | NATURALE (NATURAL) | GOMMA SILICONICA (SILICONE RUBBER) | GUARNIZIONE (RUBBER GASKET) | |
| | 6.7 | VERDE(GREEN) | 282681-1 | | | | | |
| | 8.5 | GRIGIO(GREY) | 282680-1 | 1 | //// | PA 6.6 | BLOCCHETTO (HOUSING) | |
| | " X " | COLORE COLOR | NUMERO PART. N° | N° (ITEM) | FINITURA / COLORE (FINISH / COLOUR) | MATERIALE (MATERIAL) | DESCRIZIONE (DESCRIPTION) | |

THIS DRAWING IS A CONTROLLED DOCUMENT.
 QUESTO DISEGNO E' UN DOCUMENTO CONTROLLATO.

| | | | | | |
|----------------------------|---|---|-------------|---------------|-------------|
| DIMENSIONS: DIMENSIONI: mm | TOLERANCES UNLESS OTHERWISE SPECIFIED: TOLLERANZE SE NON DIVERSAMENTE SPECIFICATE | DWN/DIS. - | CHK/CONT. - | APVD / APP. - | NAME NOME - |
| 0 PLC / DEC: ± - | 1 PLC / DEC: ± 0.3 | PRODUCT SPEC SPEC DI PRODOTTO - | | | |
| 2 PLC / DEC: ± - | 3 PLC / DEC: ± - | APPLICATION SPEC SPEC DI APPLICAZIONE - | | | |
| 4 PLC / DEC: ± - | ANGLES / ANGOLI ± 2° | WEIGHT PESO - | | | |

MATERIAL MATERIALE - FINISH FINITURA -

TE Connectivity
 2 WAY J.P.T. SPLASH PROOF CONN. ASS'Y WITH SECONDARY LOCK

SIZE A2 CAGE CODE 00779 DRAWING NO (MASTER) C=282680 RESTRICTED TO -

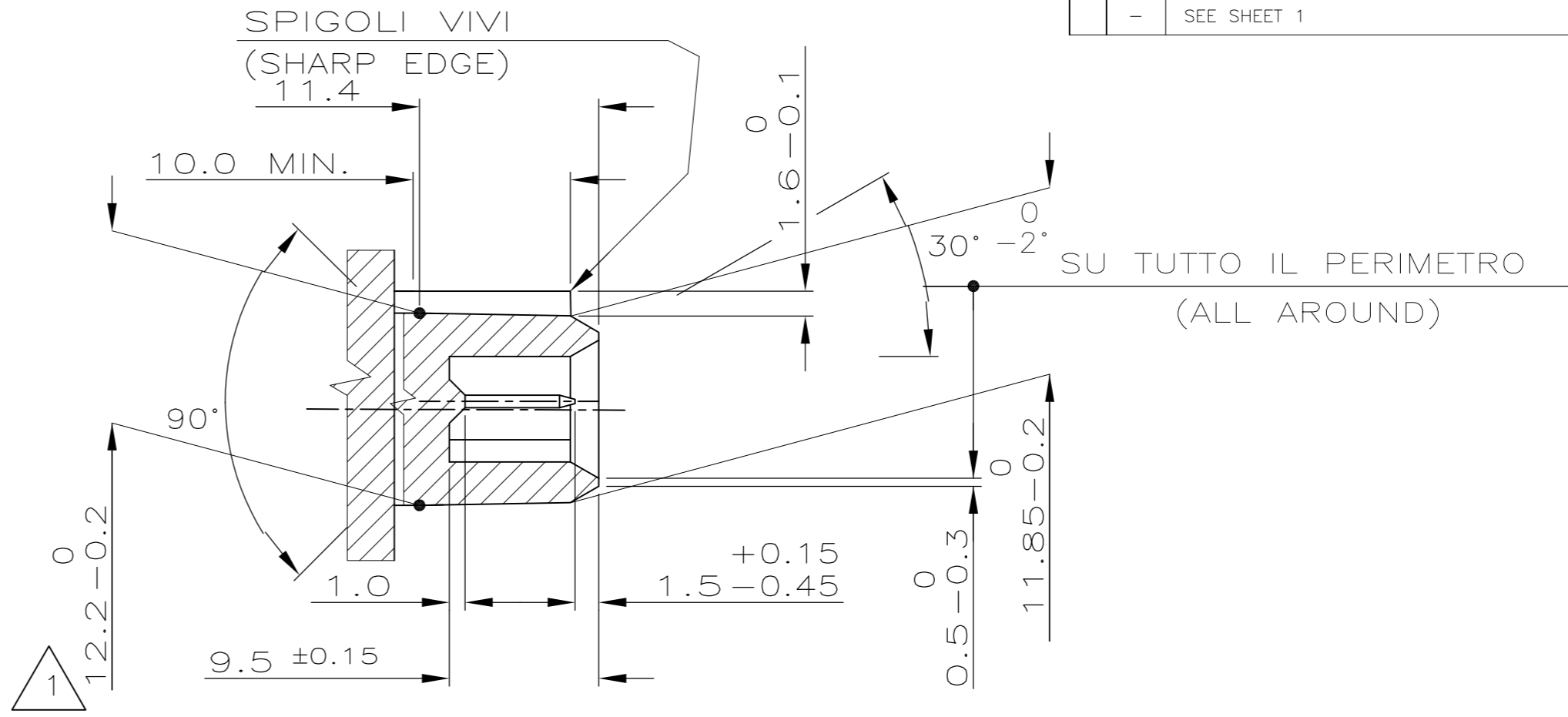
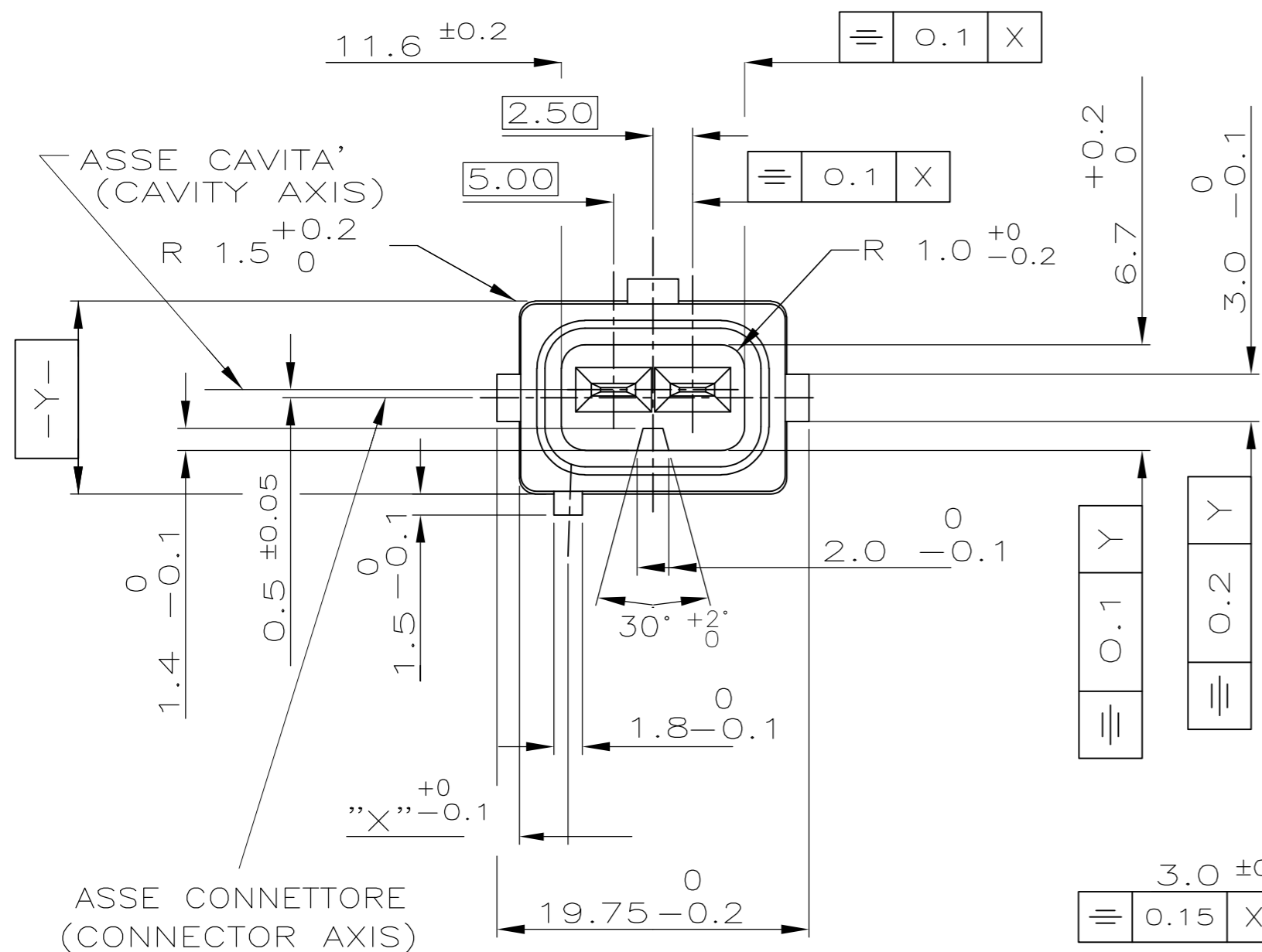
CUSTOMER DRAWING DISEGNO PER CLIENTE SOLO PER RIFERIMENTO SCALE SCALA - SHEET FOGLIO 1 of 2 REV D1

| | | |
|--------|---|---|
| METRIC | DIAM. ISOLANTE (INS. DIA. RANGE) 1.5-3.0mm (REDUCED INS. CABLE) | RANGO FILO (WIRE RANGE) 0.5-2.5 mm ² |
|--------|---|---|

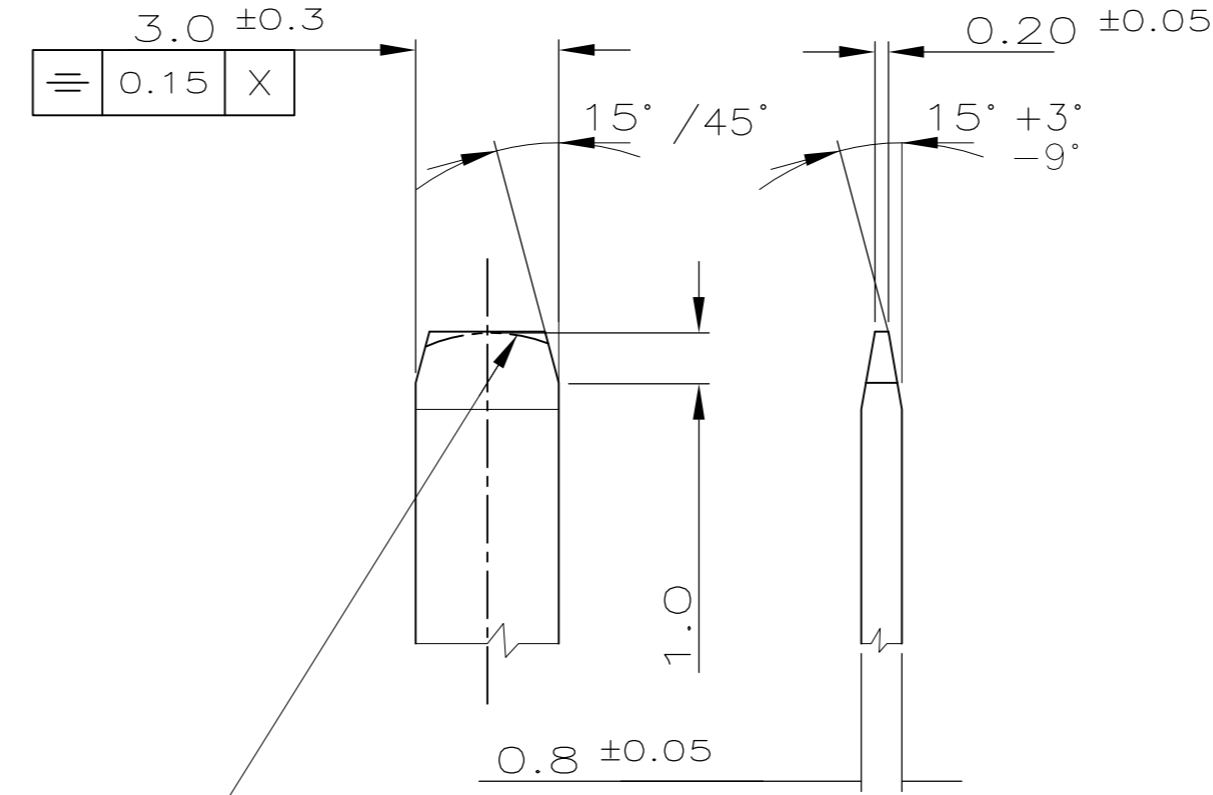
282680

THIS DRAWING IS UNPUBLISHED.
 QUESTO DISEGNO NON DEVE ESSERE DIVULGATO O RIPRODOTTO.
 RELEASED FOR PUBLICATION
 E' CONSENTITA LA DIVULGAZIONE
 ALL RIGHTS RESERVED.
 TUTTI I DIRITTI SONO RISERVATI

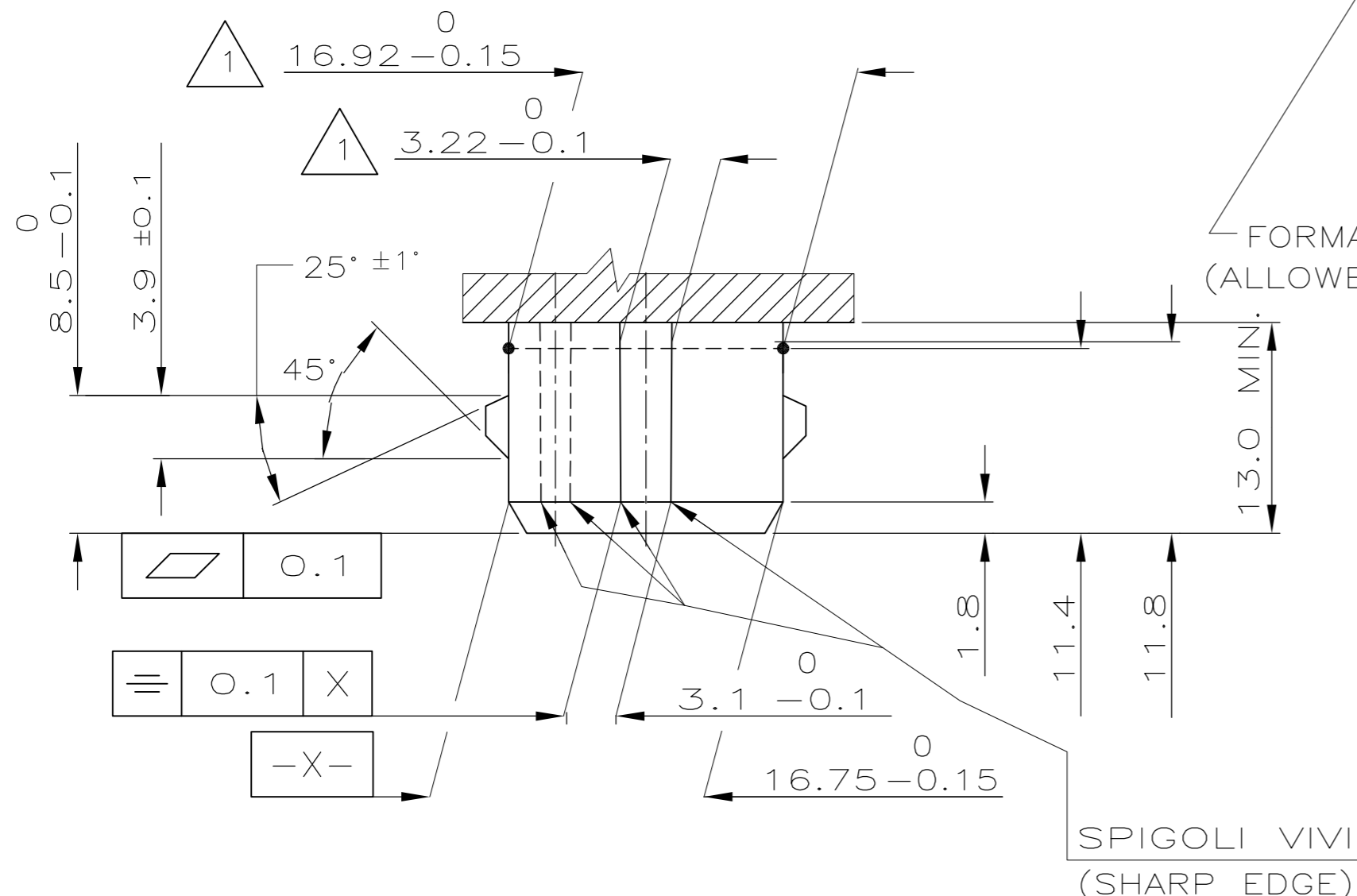
| LOC | DIST | P | LTR | REV | REVISIONI | DATE | DWN | APVD |
|-----|------|---|-----|-----|-------------|------|------|------|
| I | - | - | - | - | DESCRIPTION | DATA | DIS. | APP. |
| | | | | | SEE SHEET 1 | | | |



DETT. CONTATTO SC. 5:1
 (TAB DETAIL SC. 5:1)



- 1) QUOTE APPLICABILI PER SFORMATURA PEZZO (RIGHT DIMENSIONS FOR EXTRACTION ITEM FROM THE MOULD)
- 2) MATERIALE CONTATTI: LEGA DI RAME STAGNATA, ES. OTTONE STAGNATO. (TAB MATERIAL: TINNED Cu ALLOY, E.G. TINNED BRASS)
- 3) MATERIALE BLOCCHETTO: TERMOPLASTICO CARICATO FIBRA VETRO. (HOUSING MATERIAL: THERMOPLASTIC GLASS FIBER FILLED).



| | | |
|-------|------------------------------------|--------------|
| 3.0 | GIALLO (YELLOW) | - |
| 12.0 | NATURALE (NATUR) | - |
| 10.2 | BLU (BLUE) | - |
| 4.8 | MARRONE (BROWN) | - |
| 6.6 | VERDE (GREEN) | - |
| 8.4 | GRIGIO (GREY) | - |
| " X " | COLORE BLOCCHETTO (HOUSING COLOUR) | NOTE (NOTES) |

THIS DRAWING IS A CONTROLLED DOCUMENT.
 QUESTO DISEGNO E' UN DOCUMENTO CONTROLLATO.

DIMENSIONS: DIMENSIONI: mm

TOLERANCES UNLESS OTHERWISE SPECIFIED: TOLLERANZE SE NON DIVERSAMENTE SPECIFICATE

0 PLC / DEC: ± -
 1 PLC / DEC: ± 03
 2 PLC / DEC: ± -
 3 PLC / DEC: ± -
 4 PLC / DEC: ± -
 ANGLES / ANGOLI ± 2'

FINISH FINITURA

MATERIAL MATERIALE

DWN / DIS. -
 CHK / CONT. -
 APVD / APP. -
 PRODUCT SPEC SPEC DI PRODOTTO -
 APPLICATION SPEC SPEC DI APPLICAZIONE -
 WEIGHT PESO -

TE Connectivity

2 WAY J.P.T. SPLASH PROOF CONN. ASS'Y WITH SECONDARY LOCK

SIZE A3 CAGE CODE 00779 DRAWING NO. (MASTER) C=282680 RESTRICTED TO -

CUSTOMER DRAWING DISEGNO PER CLIENTE SOLO PER RIFERIMENTO SCALE SCALA - SHEET FOGLIO 2 of 2 REV D1

X-ON Electronics

Largest Supplier of Electrical and Electronic Components

Click to view similar products for [Automotive Connectors](#) category:

Click to view products by [TE Connectivity](#) manufacturer:

Other Similar products are found below :

[003-018-000](#) [60403001](#) [60993906-B](#) [M902-2131](#) [M902-2161](#) [M902-2344](#) [72.330.1035.1](#) [73.353.4028.0](#) [F119300-B](#) [F166900](#) [F258300-B](#)
[F358300-B](#) [F407400](#) [F444110](#) [F487000](#) [F509500B-B](#) [827153-1](#) [8N1515-32-24P](#) [9-1326729-8](#) [925474-1](#) [928905-1](#) [964562-4](#) [968782-1](#)
[GT17SA-8DS-HU](#) [98891-1012](#) [98947-1016](#) [12004147](#) [12004475-L](#) [12010290](#) [12010309-B](#) [12015454](#) [12020219-B](#) [12041318-B](#) [12052225-](#)
[L](#) [12052466](#) [12064869](#) [12004327-B](#) [12015308](#) [12015384](#) [12015909](#) [1-21030-1](#) [12041254](#) [12041318](#) [12047946-B](#) [12047957](#) [12047957-L](#)
[12059473](#) [12066261](#) [12110546](#) [12110546-B](#)