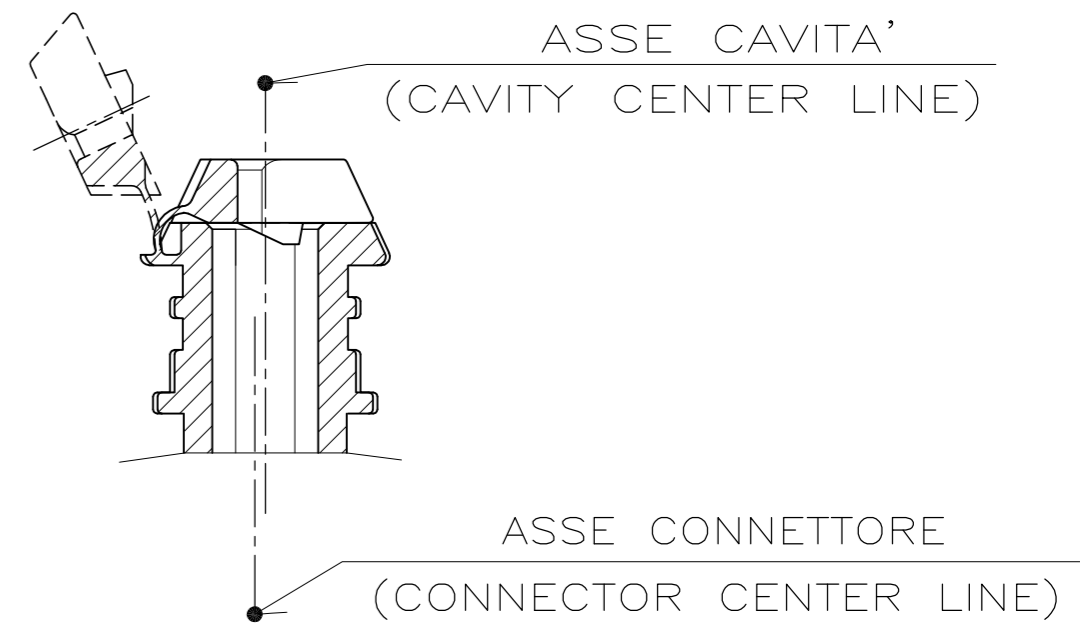
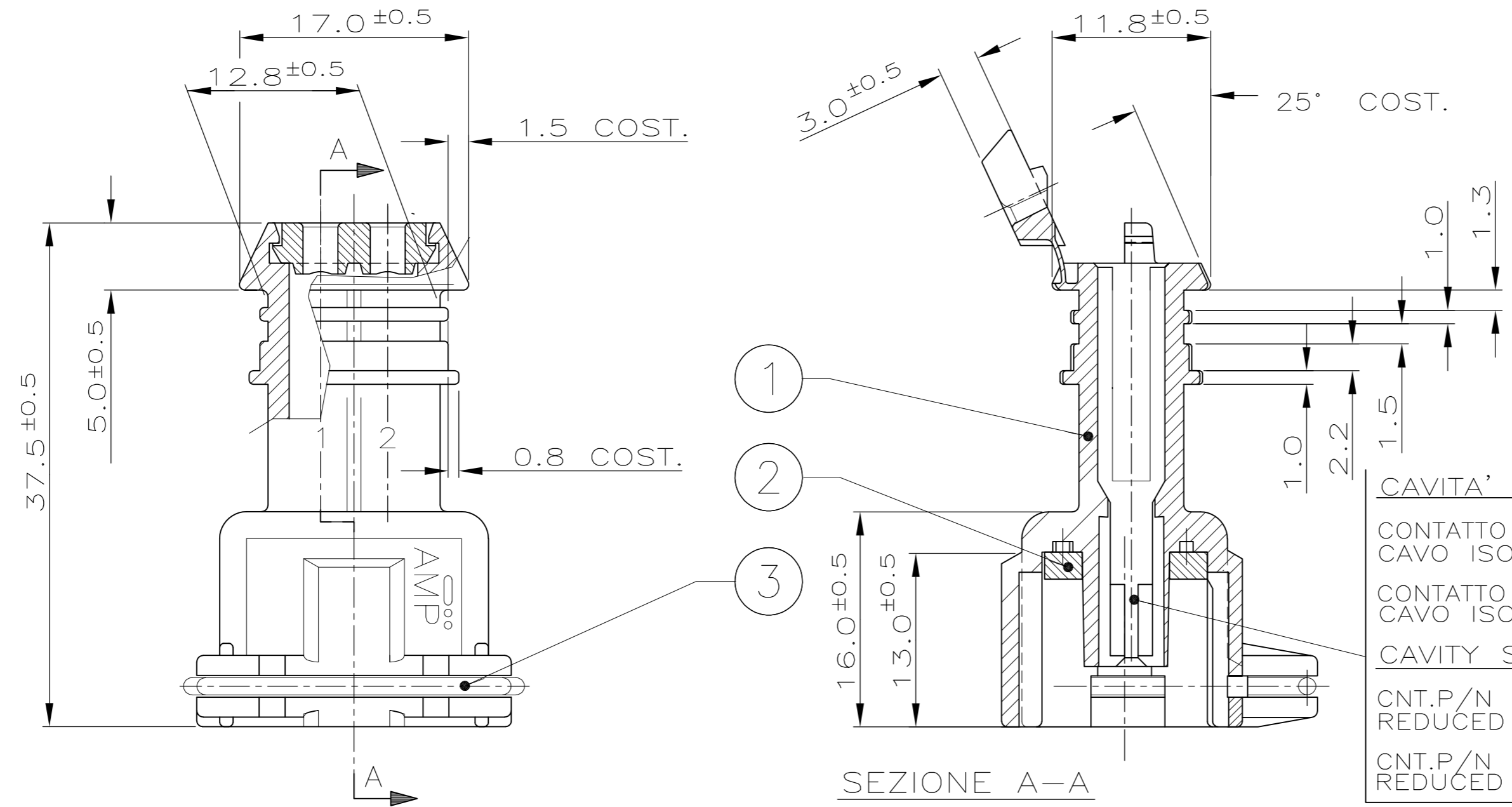


THIS DRAWING IS UNPUBLISHED.
 QUESTO DISEGNO NON DEVE ESSERE DIVULGATO O RIPRODOTTO.
 RELEASED FOR PUBLICATION
 E' CONSENTITA LA DIVULGAZIONE
 ALL RIGHTS RESERVED.
 TUTTI I DIRITTI SONO RISERVATI

LOC		DIST		REVISIONS			
P	LTR	REV	DESCRIPTION	DATE	DWN	APVD	
	C1		REVISED PER ECO-11-005033	30MAR11	RK	HMR	
	D		ECR-14-003472	24MAR14	MP	MG	
	D1		REVISED PER ECO-20-003218	13MAY2020	AP	VN	

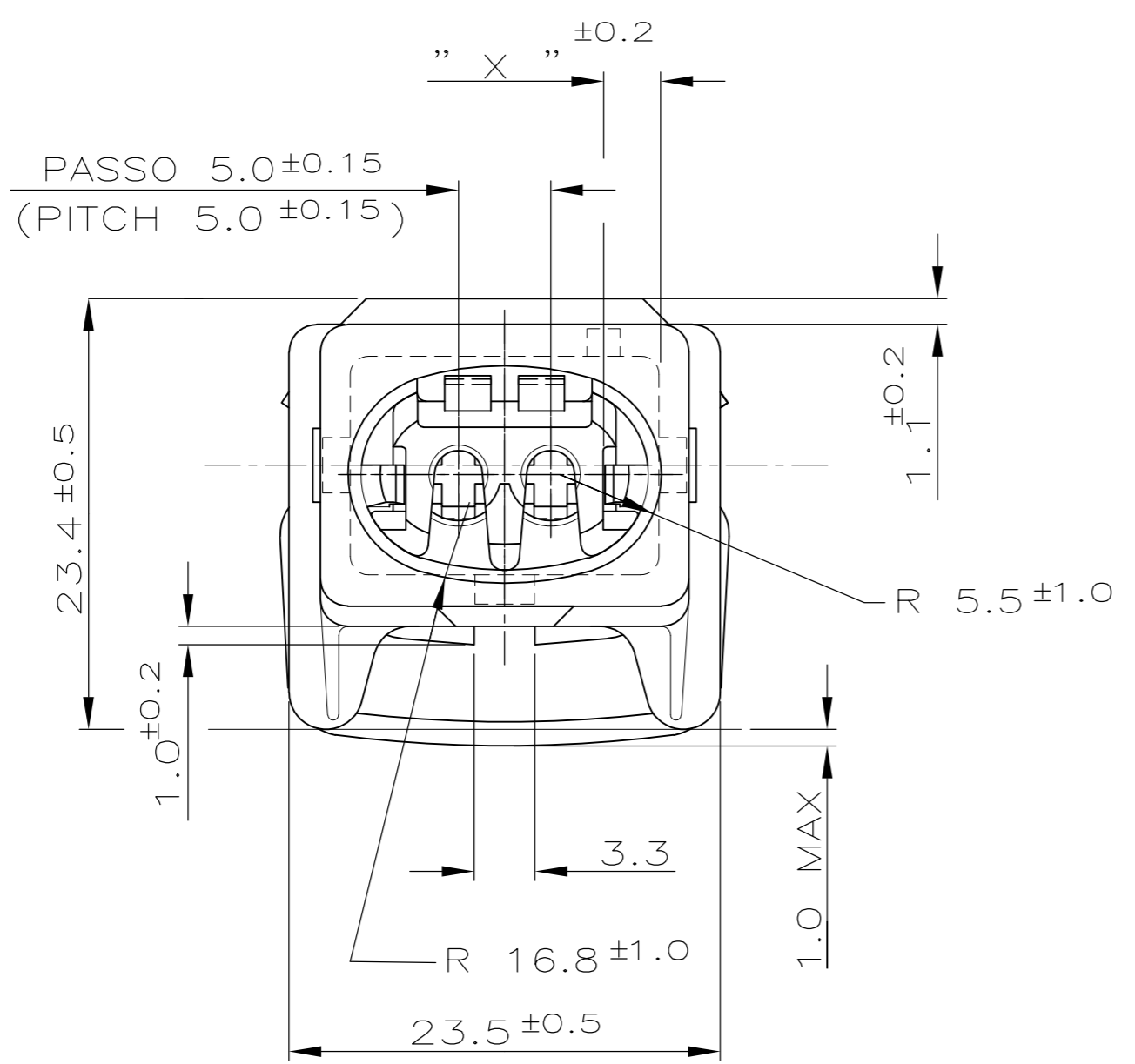
CONNETTORE TIPO A (CON MOLLA DI RITEGNO ESTERNA)
 CONNECTOR TYPE A (WITH EXTERNAL SPRING)



CAVITA' ADATTA PER TERMINALI JUNIOR POWER TIMER:
 CONTATTO P/N 929939-1 0 -3 CON GOMMINO P/N 828904-1,
 CAVO ISOLANTE RIDOTTO ϕ 1.5-2.1mm; SEZIONE 0.5-1.0mm²
 CONTATTO P/N 929937-1 0 -3 CON GOMMINO P/N 828905-1,
 CAVO ISOLANTE RIDOTTO ϕ 2.2-3.0mm; SEZIONE 1.5-2.5mm²
 CAVITY SUITABLE FOR JUNIOR POWER TIMER CONTACT:
 CNT.P/N 929939-1 OR -3 PLUS WIRE SEAL P/N 828904-1
 REDUCED INS. CABLE ϕ 1.5-2.1mm; WIRE RANGE 0.5-1.0mm²
 CNT.P/N 929937-1 OR -3 PLUS WIRE SEAL P/N 828905-1
 REDUCED INS. CABLE ϕ 2.2-3.0mm; WIRE RANGE 1.5-2.5mm²

SEZIONE A-A
 (SECTION A-A)

1) DIFFERISCE DAL ..-1 ESCLUSIVAMENTE PER IL PACKAGING
 (DIFFERS FROM ..-1 ONLY FOR PACKAGING DETAILS)
 2) PER DIMENSIONI CONTROPARTE VEDERE FOGLIO 2 .
 (FOR COUNTERPART DIMENSIONS SEE SHEET 2).



COLORE / COLOR	NUMERO PART. N°	N° (ITEM)	FINITURA / COLORE (FINISH / COLOUR)	MATERIALE (MATERIAL)	DESCRIZIONE (DESCRIPTION)
4.9 MARRONE(BROWN)	2-282682-1	1		ACCIAIO INOX (STAINLESS STEEL)	MOLLA (SPRING)
3.1 GIALLO(YELLOW)	282685-1				
12.1 BIANCO (WHITE)	282684-1	3	///////	GOMMA SILICONICA (SILICONE RUBBER)	GUARNIZIONE (RUBBER GASKET)
10.3 BLU (BLUE)	282683-1				
4.9 MARRONE(BROWN)	282682-1	2	NATURALE (NATURAL)	PA 6.6	BLOCCHETTO (HOUSING)
6.7 VERDE(GREEN)	282681-1				
8.5 GRIGIO(GREY)	282680-1	1	///////		

THIS DRAWING IS A CONTROLLED DOCUMENT.
 QUESTO DISEGNO E' UN DOCUMENTO CONTROLLATO.

DIMENSIONS: DIMENSIONI: mm	TOLERANCES UNLESS OTHERWISE SPECIFIED: TOLLERANZE SE NON DIVERSAMENTE SPECIFICATE	DWN/DIS. -	CHK/CONT. -	APVD/APP. -	NAME NOME
0 PLC/DEC: ±	1 PLC/DEC: ± 0.3	PRODUCT SPEC SPEC DI PRODOTTO			
2 PLC/DEC: ±	3 PLC/DEC: ±	APPLICATION SPEC SPEC DI APPLICAZIONE			
4 PLC/DEC: ±	ANGLES / ANGOLI ± 2°	WEIGHT PESO			

MATERIAL MATERIALE - FINISH FINITURA -

TE Connectivity

2 WAY J.P.T. SPLASH PROOF CONN. ASS'Y WITH SECONDARY LOCK

SIZE: A2 CAGE CODE: 00779 DRAWING NO: C=282680 (MASTER) RESTRICTED TO: -

CUSTOMER DRAWING DISEGNO PER CLIENTE SOLO PER RIFERIMENTO SCALE: - SHEET FOGLIO 1 of 2 REV: D1

METRIC	DIAM. ISOLANTE (INS. DIA. RANGE) 1.5-3.0mm (REDUCED INS. CABLE)	RANGO FILO (WIRE RANGE) 0.5-2.5 mm ²
---------------	---	---

X-ON Electronics

Largest Supplier of Electrical and Electronic Components

Click to view similar products for [Automotive Connectors](#) category:

Click to view products by [TE Connectivity](#) manufacturer:

Other Similar products are found below :

[003-018-000](#) [60993906-B](#) [M902-2131](#) [M902-2161](#) [M902-2344](#) [72.330.1035.1](#) [73.353.4028.0](#) [F166900](#) [F358300-B](#) [F407400](#) [776880-1](#)
[827153-1](#) [8N1515-32-24P](#) [9-1326729-8](#) [925474-1](#) [928905-1](#) [964562-4](#) [968782-1](#) [98891-1012](#) [12004475-L](#) [12020308](#) [12041318-B](#)
[12052466](#) [12059716](#) [12064869](#) [12015909](#) [1-21030-1](#) [12041254](#) [12041318](#) [12047946-B](#) [12110546-B](#) [12131792](#) [12084688](#) [12092346](#)
[HD34-18-14PT](#) [HD46-24-23SN-059](#) [HDB36-24-16PN-059](#) [HDP26-24-9SE-L015](#) [12185280](#) [12185550](#) [12336-12](#) [12191172-B](#) [12S](#)
[13545280](#) [13577943](#) [13681974](#) [13737722-B](#) [13830674](#) [13832576](#) [13849772](#)