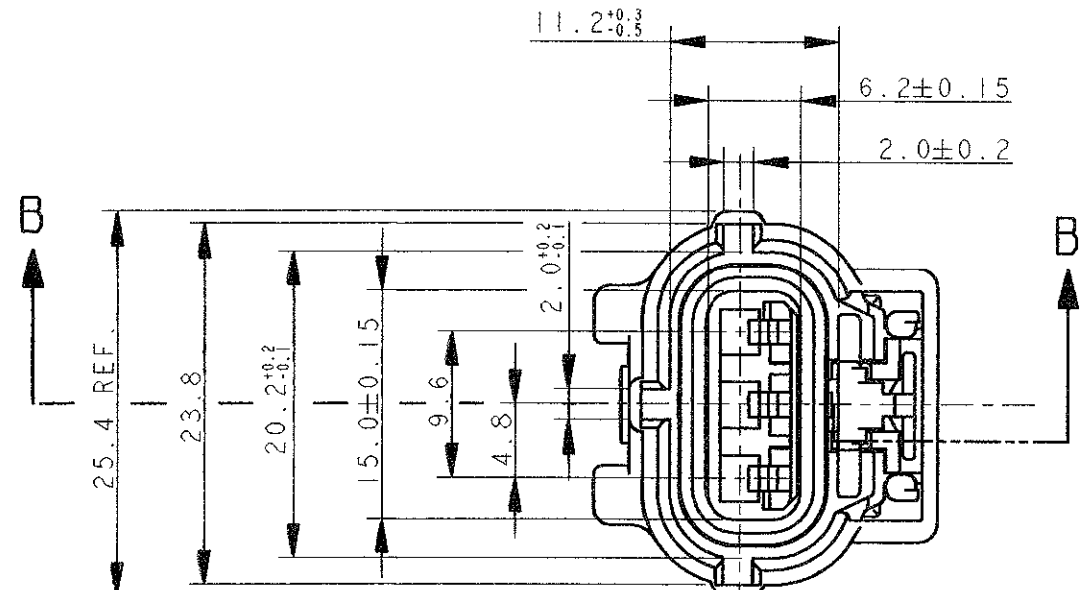
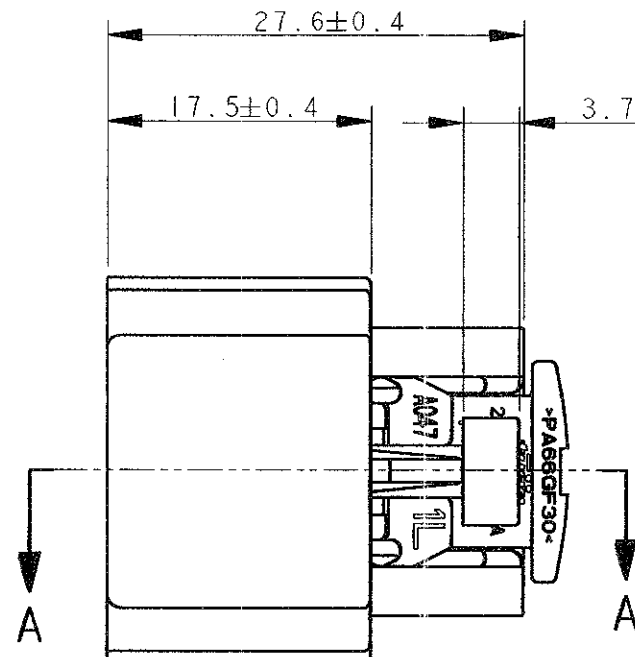
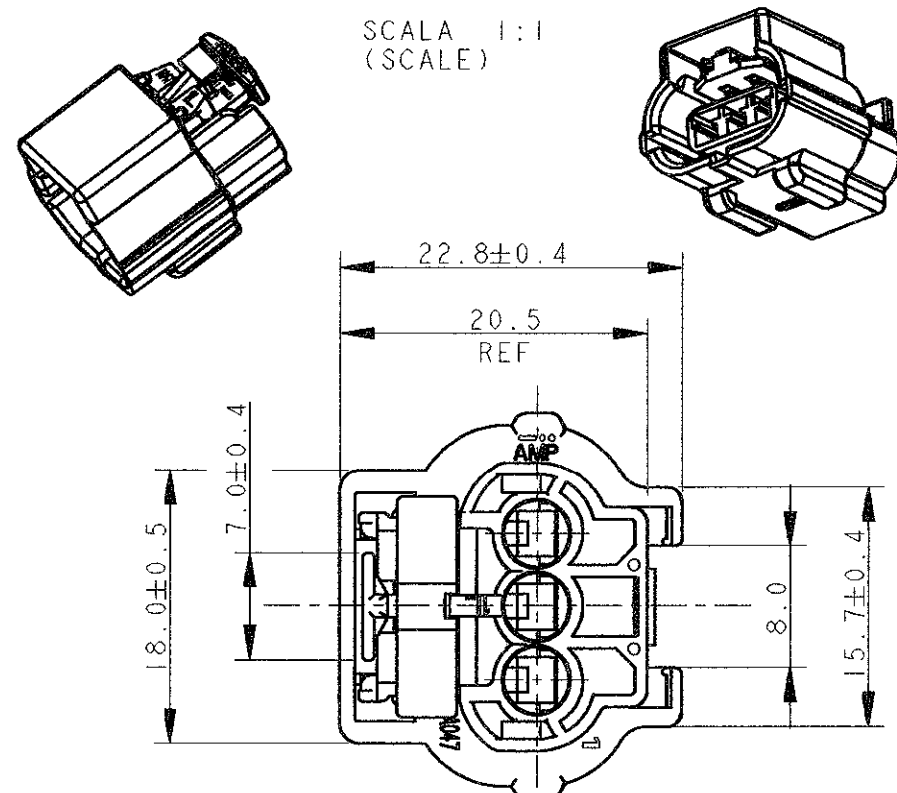
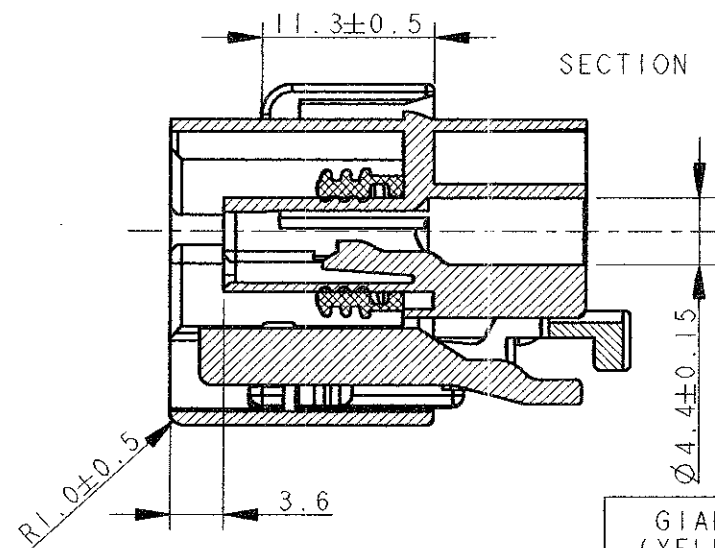
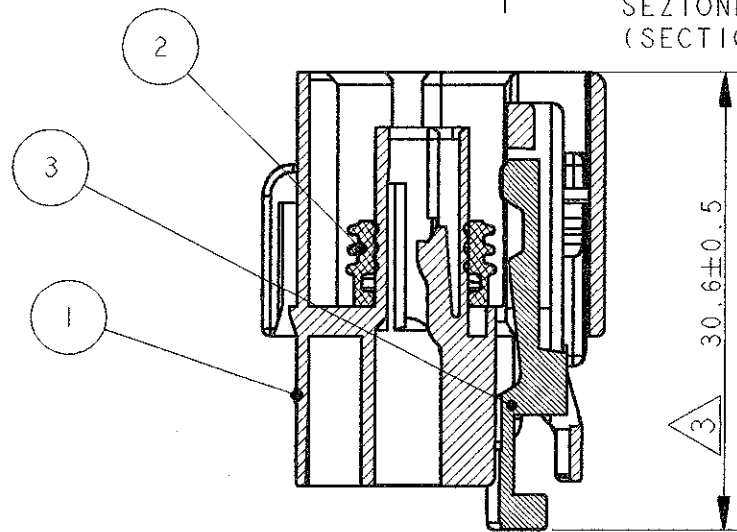


LOC	DIST	REVISIONS					
		P	LTR	DESCRIPTION	DATE	DWN	APVD
AI	-	CI		REVISED FOR ET00-0015-02	07 FEB 02	M.P.	R.M.

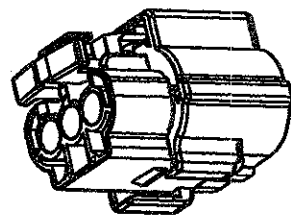
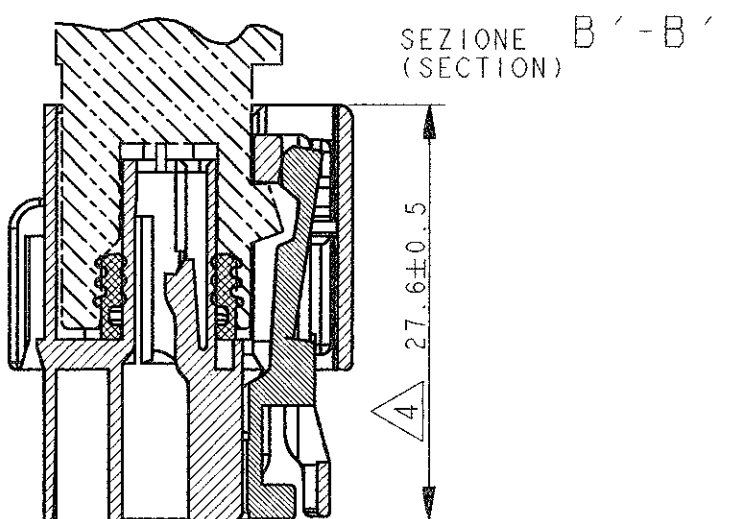


SEZIONE B-B (SECTION)

SECTION A-A



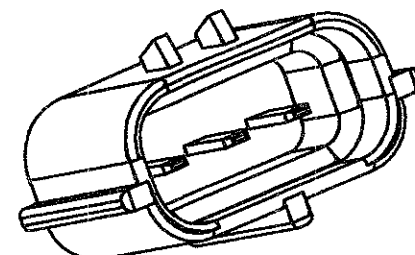
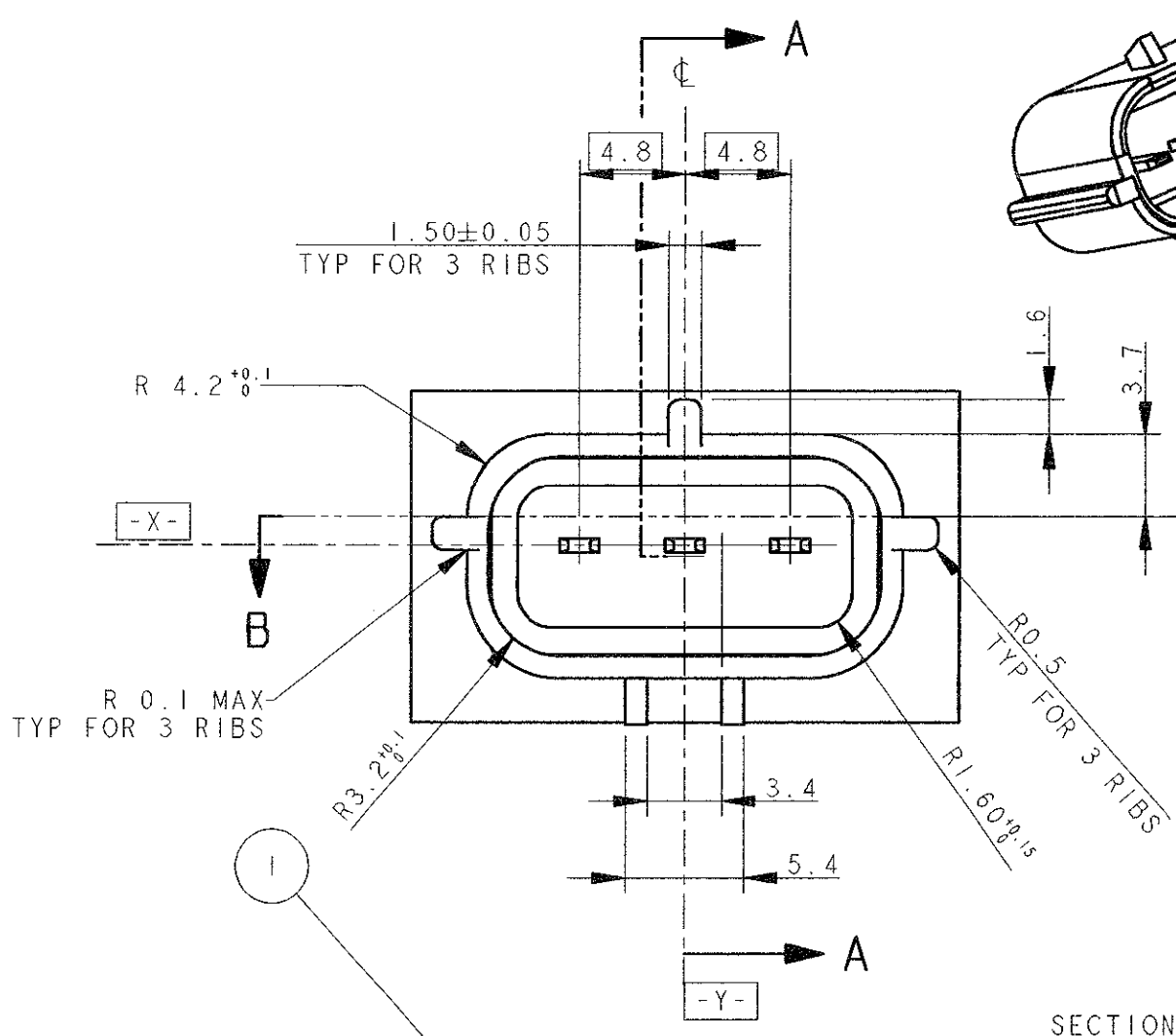
- 1) QUESTO PARTICOLARE VA USATO CON IL DISPOSITIVO DI AGGANCIAMENTO SECONDARIO TYCO P/N 282706-1 (THIS PART MUST BE USED WITH DOUBLE LOCK PLATE TYCO P/N 282706-1)
- 2) PER IL DISEGNO DELLA CONTROPARTE VEDI FOGLIO 2 DI 2 (FOR COUNTERPART DETAIL SEE SHEET 2 OF 2)
- 3 C.P.A. IN POSIZIONE PRE-ASSEMBLATA (C.P.A. PRE-ASSEMBLED POSITION)
- 4 C.P.A. IN POSIZIONE CHIUSA, QUANDO IL CONNETTORE E' CORRETTAMENTE ACCOPPIATO CON LA CONTROPARTE (C.P.A. IN CLOSED POSITION, WHEN THE CONNECTOR IS PROPERLY MATED WITH THE COUNTERPART)



SCALA 1:1 (SCALE)

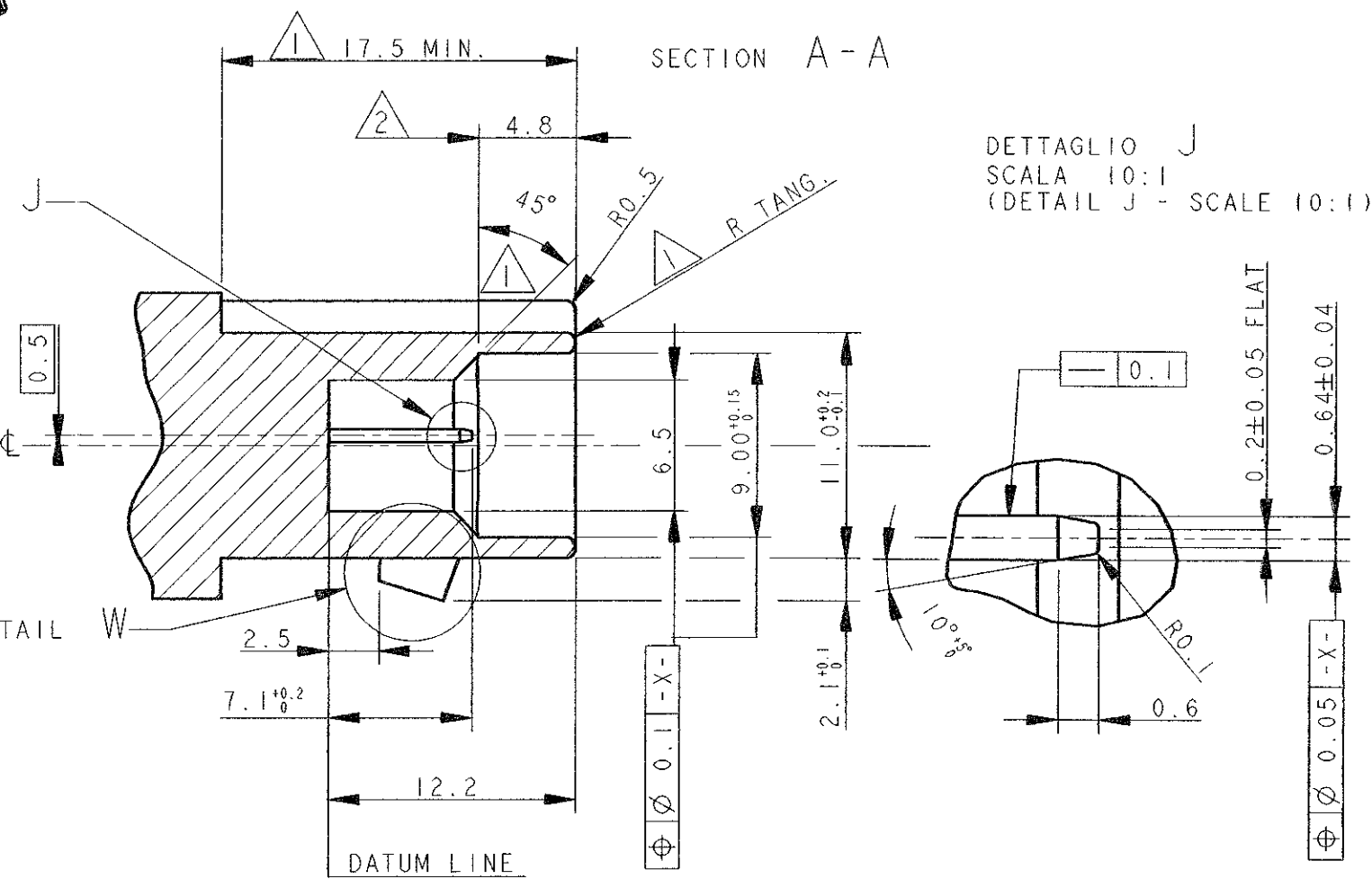
COLORE (COLOUR)	MATERIALE (MATERIAL)	DESCRIZIONE (DESCRIPTION)	COMPONENTE No (ITEM No)	NUMERO (PART NUMBER)
GIALLO (YELLOW)	PA 6.6 CAR. VETRO (PA 6.6 GF)	C.P.A.	3	282703-1
GIALLO (YELLOW)	GOMMA SILICONICA (SILICONE RUBBER)	GUARNIZIONE (SEAL RING)	2	
NERO (BLACK)	PBT NATURALE (PBT UNFILLED)	BLOCCHETTO (HOUSING)	1	

<small>THIS DRAWING IS A CONTROLLED DOCUMENT FOR TYCO ELECTRONICS CORPORATION. IT IS SUBJECT TO CHANGE AND THE CONTROLLING ENGINEERING ORGANIZATION SHOULD BE CONTACTED FOR THE LATEST REVISION.</small>		DWN A. BAJ 12SEP1995 CHK C. TARTARI 12SEP1995 APVD - PRODUCT SPEC - APPLICATION SPEC - WEIGHT -	<b>tyco Electronics</b> tyco Electronics AMP Italia S.p.A. C.so F.lli Cervi, 15 - Collegno (TO)
DIMENSIONS: mm 	TOLERANCES UNLESS OTHERWISE SPECIFIED: 0 PLC ±0.3 1 PLC ±0.3 2 PLC ±0.3 3 PLC ± 4 PLC ± ANGLES ±2° FINISH ---	NAME 3 POS. ECONOSEAL J-MK11+ CONN. PLUG ASS'Y SIZE A3 CAGE CODE 00779 DRAWING NO C-282703	RESTRICTED TO - SCALE 2:1 SHEET 1 OF 2 REV CI
MATERIAL VEDERE TABELLA (SEE TABLE)		CUSTOMER DRAWING	



SEE DETAIL J

SEE DETAIL W



DETTAGLIO J  
SCALA 10:1  
(DETAIL J - SCALE 10:1)

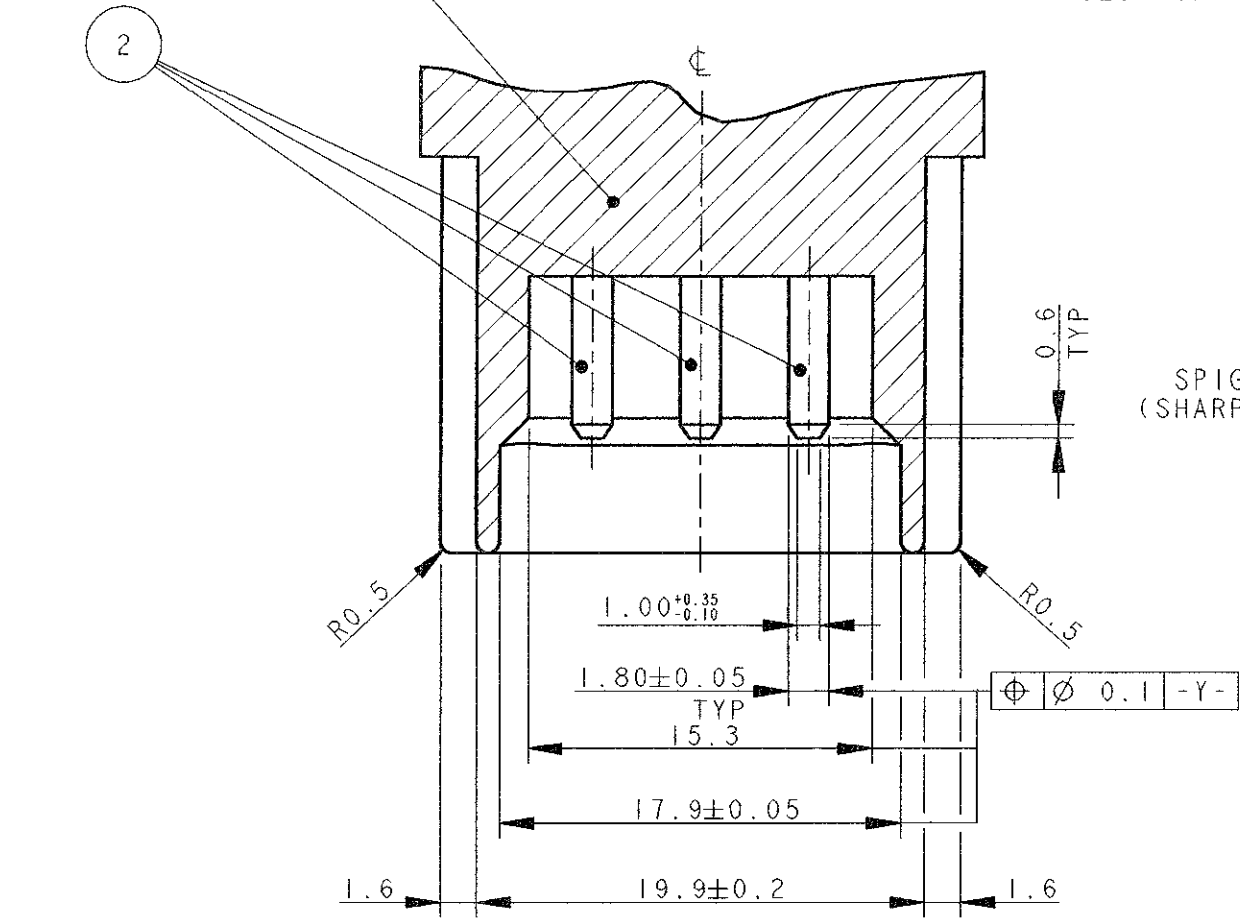
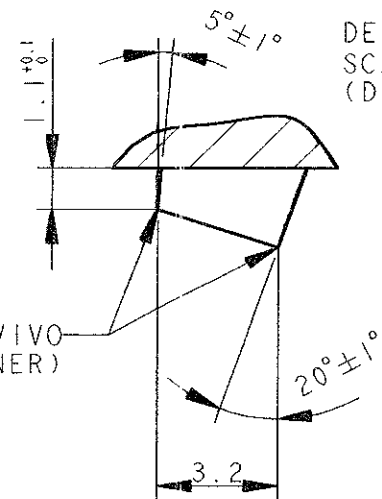
DETTAGLIO W  
SCALA 5:1  
(DETAIL W - SCALE 5:1)

- 1 QUOTE VALIDE SU TUTTO IL CONTORNO (THESE DIMENSIONS ARE VALID ALL AROUND)
- 2 TRATTO PRIVO DI BAVE E SEGNI DI GIUNZIONE SU TUTTO IL CONTORNO (ZONE WITH NO FLASH AND WELDING LINES ALL AROUND)

**DETTAGLI CONTROPARTE HEADER  
(TAB HEADER COUNTERPART DETAILS)**

STAGNATO 2-4 micron (TINNED 2-4 micron)	OTTONE - HALF HARD (BRASS - HALF HARD)	CONTATTO (TAB)	2
---	PA 6.6 UNFILLED OR 15% G.F.	BLOCCHETTO (HOUSING)	1
<b>FINITURA (FINISH)</b>	<b>MATERIALE (MATERIAL)</b>	<b>DESCRIZIONE (DESCRIPTION)</b>	<b>ITEM No.</b>

SPIGOLO VIVO (SHARP CORNER)



THIS DRAWING IS A CONTROLLED DOCUMENT FOR TYCO ELECTRONICS CORPORATION. IT IS SUBJECT TO CHANGE AND THE CONTROLLING ENGINEERING ORGANIZATION SHOULD BE CONTACTED FOR THE LATEST REVISION.

DIMENSIONS:	TOLERANCES UNLESS OTHERWISE SPECIFIED:
mm	
	0 PLC ±0.3
	1 PLC ±0.1
	2 PLC ±0.05
	3 PLC ±
	4 PLC ±
	ANGLES ±2°
MATERIAL VEDERE TABELLA (SEE TABLE)	FINISH VEDERE TABELLA (SEE TABLE)

DWN A. BAJ 12SEP1995	tyco Electronics AMP Italia S.p.A. C.so F.lli Cervi, 15 - Collegno (TO)	
CHK C. TARTARI 12SEP1995	NAME 3 POS. ECONOSEAL J-MK11+ CONN. PLUG ASS'Y	
APVD -	PRODUCT SPEC -	APPLICATION SPEC -
WEIGHT -	SIZE A3	CAGE CODE 00779
CUSTOMER DRAWING	DRAWING NO C-282703	RESTRICTED TO -
SCALE 2:1	SHEET 2 OF 2	REV C1

## X-ON Electronics

Largest Supplier of Electrical and Electronic Components

*Click to view similar products for [Automotive Connectors](#) category:*

*Click to view products by [TE Connectivity](#) manufacturer:*

Other Similar products are found below :

[003-018-000](#) [60993906-B](#) [M902-2131](#) [M902-2161](#) [M902-2344](#) [72.330.1035.1](#) [73.353.4028.0](#) [F166900](#) [F358300-B](#) [F407400](#) [776880-1](#)  
[827153-1](#) [8N1515-32-24P](#) [9-1326729-8](#) [925474-1](#) [928905-1](#) [964562-4](#) [968782-1](#) [98891-1012](#) [12004475-L](#) [12020308](#) [12041318-B](#)  
[12052466](#) [12064869](#) [12015909](#) [1-21030-1](#) [12041254](#) [12041318](#) [12047946-B](#) [12047957](#) [12110546-B](#) [12131792](#) [12092346](#) [HD34-18-14PT](#)  
[HD46-24-23SN-059](#) [HDB36-24-16PN-059](#) [HDP26-24-9SE-L015](#) [12185280](#) [12185550](#) [12336-12](#) [12147304](#) [12191172-B](#) [12S](#) [13545280](#)  
[13577943](#) [13681974](#) [13737722-B](#) [13755420](#) [13783086](#) [13830674](#)