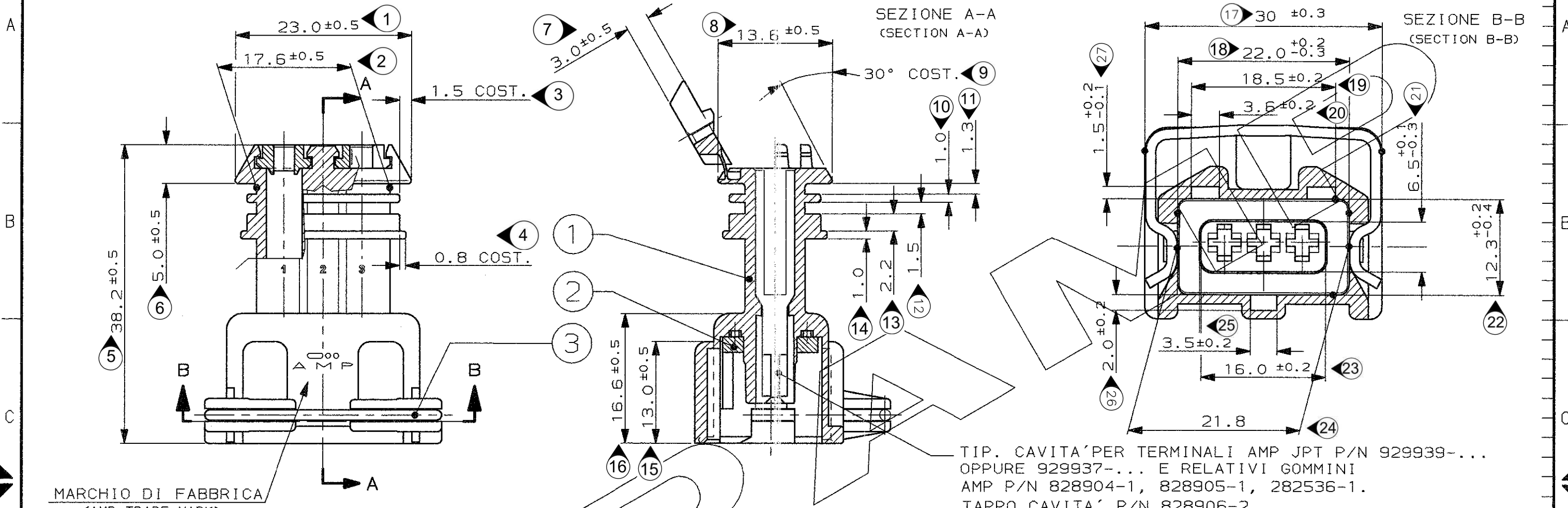


CONNETTORE TIPO A (CON MOLLA DI RITEGNO ESTERNA)
CONNECTOR TYPE B (WITH INTERNAL SPRING)

SCALA NON IMPEGNATIVA
(DO NOT SCALE)
DIMENSIONI IN mm
(DIMENSIONS IN mm)

METRIC

PROIEZIONE EUROPEA
(EUROPEAN PROJECTION)

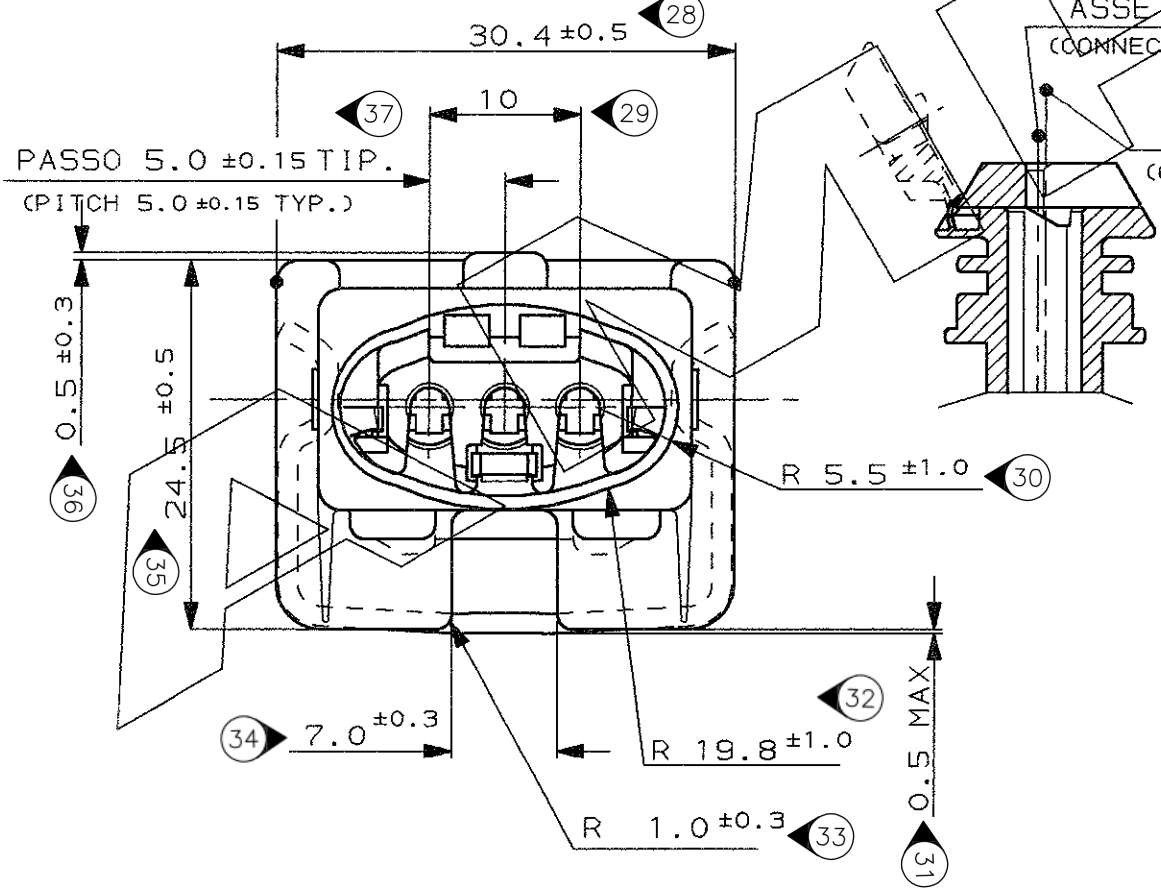


TIP. CAVITA' PER TERMINALI AMP JPT P/N 929939-...
OPPURE 929937-... E RELATIVI GOMMINI
AMP P/N 828904-1, 828905-1, 282536-1.
TAPPO CAVITA' P/N 828906-2
(TYP. CAV. FOR JPT CONT. P/N 929939-.. A/O 929937-.. AND REL.
SINGLE WIRE SEAL P/N 828904-1, 828905-1, 282536-1
CAVITY PLUG P/N 828906-2)

MARCHIO DI FABBRICA
(AMP TRADE MARK)

ASSE CONNETTORE
(CONNECTOR CENTER LINE)

ASSE CAVITA'
(CAVITY CENTER LINE)



	MARRONE (BROWN)	282729-6	3	////////	ACCIAIO INOX (STAINLESS STEEL)	MOLLA (SPRING)	
OBSOLETE	BLU (BLUE)	282729-5					
	VERDE (GREEN)	282729-4	2	NATURALE (NATURAL)	GOMMA SILICONE (SILICONE RUBBER)	GUARNIZIONE (SEALING)	
OBSOLETE	NATURALE (NATUR)	282729-3					
	GRIGIO (GREY)	282729-2	1	////////	PA 6.6	BLOCCETTO (HOUSING)	
	NERO (BLACK)	282729-1					
	COLORE (COLOR)	NUMERO (PART. N°)	ASSY REV.	N° (ITEM)	FINITURA / COLORE (FINISH / COLOUR)	MATERIALE (MATERIAL)	DESCRIZIONE (DESCRIPTION)

CUSTOMER DWG. FOR REFERENCE ONLY
DISEGNO PER CLIENTE SOLO PER RIFERIMENTO

THIS DRAWING IS UNPUBLISHED
RELEASE FOR PUBLICATION 19
© COPYRIGHT 19 BY AMP INCORPORATED, HARRISBURG, PA. ALL INTERNATIONAL RIGHT RESERVED. AMP PRODUCTS MAY BE COVERED BY U.S. AND FOREIGN PATENT AND/OR PATENT PENDING

TOLLERANZE, SE NON DIVERSAMENTE SPECIFICATO (TOLERANCES, UNLESS OTHERWISE SPECIFIED)	DIAM. ISOLANTE (INS. DIA. RANGE) 1.5-3.0 mm (RED. INS. CABLE)	RANGO FILO (WIRE RANGE) 0.5-2.5 mm ²	SCALA (SCALE) ---
---	---	--	----------------------

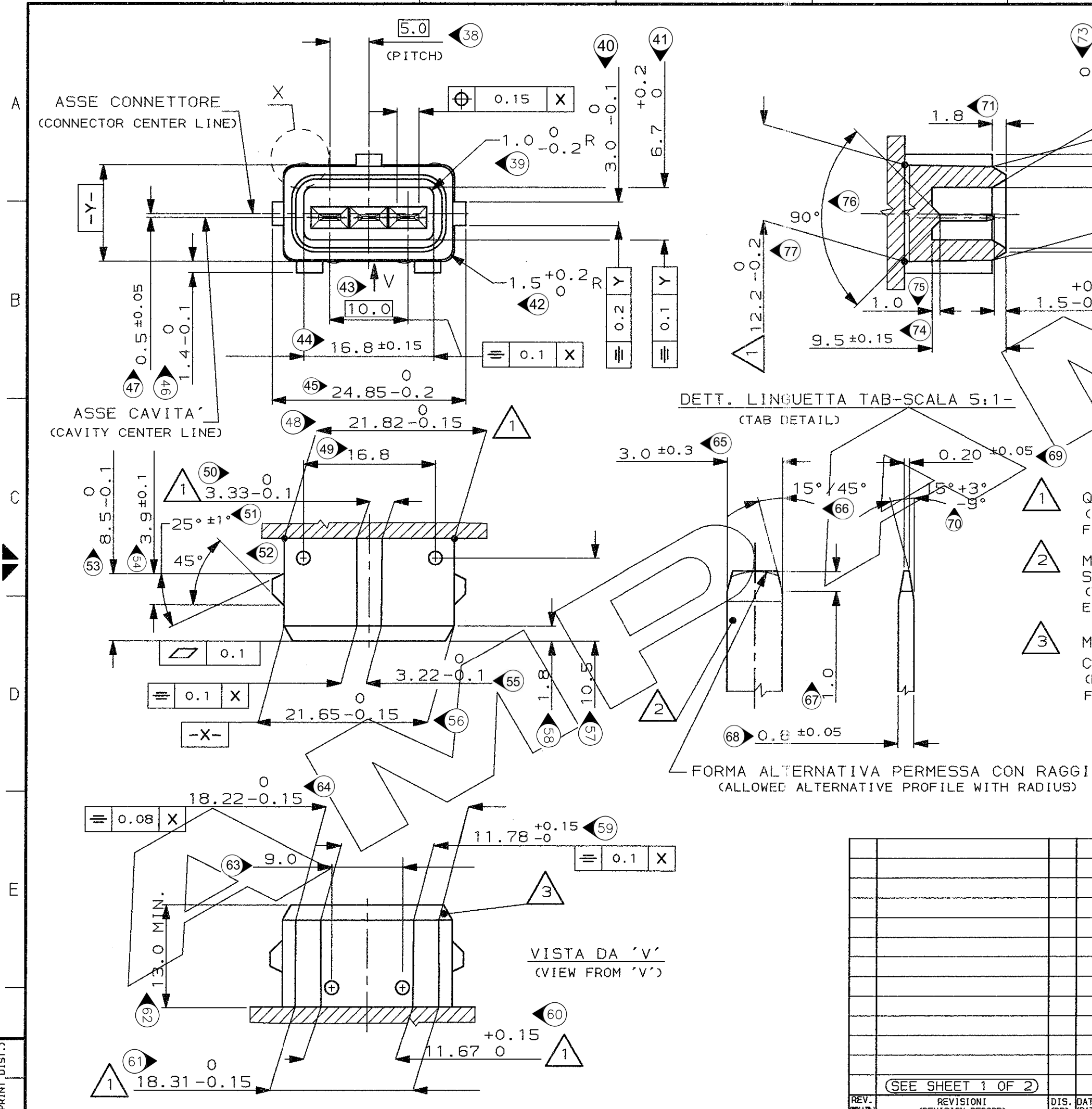
± 0.3
ANGOLI (ANGLES) ± 2°

DIS. 19 MAY 95 (DR.)
M. PALMA
CONT. 19 MAY 95 (CHK)
C. TARTARI

DESCRIZIONE (DESCRIPTION)
3 POS. SPLASH PROOF CONN. ASS'Y with SECONDARY LOCK

LOC. SIZE (DWG NO) I A3
NUMERO (DWG NO) C-282729
REV. E2
FOGLIO (SHEET) 1 DI (OF) 2

DISTRIBUZIONE
(PRINT DIST.)



SU TUTTO IL PERIMETRO (CALL AROUND)

R SFERICO (SPHERIC R.)

1 QUOTE APPLICABILI PER SFORMATURA PEZZO (DRAFT PERMITTED TO FACILITATE REMOVAL OF PART FROM THE MOULD)

2 MATERIALE LINGUETTE: LEGA DI RAME STAGNATA, ES. OTTONE STAGNATO. (TAB CONTACT MATERIAL: TIN PLATED COPPER ALLOY. E.G. BRASS TIN PLATED)

3 MATERIALE BLOCCHETTO: TERMOPLASTICO CARICATO FIBRA VETRO. (HOUSING MATERIAL: THERMOPLASTIC, GLASS FIBER FILLED)

FORMA ALTERNATIVA PERMESSA CON RAGGIO (ALLOWED ALTERNATIVE PROFILE WITH RADIUS)

FINITURA / COLORE (FINISH / COLOUR)		MATERIALE (MATERIAL)		NUMERO (PART NUMBER)	
CUSTOMER DWG. FOR REFERENCE ONLY		DISEGNO PER CLIENTE SOLO PER RIFERIMENTO			
THIS DRAWING IS UNPUBLISHED		RELEASE FOR PUBLICATION		19	
© COPYRIGHT 19 BY AMP INCORPORATED, HARRISBURG, PA. ALL INTERNATIONAL RIGHT RESERVED. AMP PRODUCTS MAY BE COVERED BY U.S. AND FOREIGN PATENT AND/OR PATENT PENDING					
TOLLERANZE: SE NON DIVERSAMENTE SPECIFICATO (TOLERANCES: UNLESS OTHERWISE SPECIFIED)		DIAM. ISOLANTE (INS. DIA. RANGE)		RANGO FILO (WIRE RANGE)	
± 0.3		---		---	
ANGOLI (ANGLES)		---		---	
± 2°		---		---	
DIS. (DR.)		DESCRIZIONE (DESCRIPTION)			
		3 POS. SPLASH PROOF CONN. ASS'Y with SECONDARY LOCK			
CONT. (CHK)		LOC. SIZE NUMERO (DWG NO)		REV. FOGLIO (SHEET)	
		I A3 C-282729		E2 2 DI (OF) 2	
SEE SHEET 1 OF 2		SEE SHEET 1 OF 2			
REV. (REV.)	REVISIONI (REVISION RECORD)	DIS. (DR)	DATA (DATE)	APP. (APP.)	

DISTRIBUZIONE (PRINT DIST.)

X-ON Electronics

Largest Supplier of Electrical and Electronic Components

Click to view similar products for [Automotive Connectors](#) category:

Click to view products by [TE Connectivity](#) manufacturer:

Other Similar products are found below :

[003-018-000](#) [60403001](#) [60993906-B](#) [M902-2131](#) [M902-2161](#) [72.330.1035.1](#) [73.353.4028.0](#) [F119300-B](#) [F166900](#) [F258300-B](#) [F358300-B](#)
[F407400](#) [F444110](#) [F487000](#) [F509500B-B](#) [827153-1](#) [8N1515-32-24P](#) [9-1326729-8](#) [925474-1](#) [928905-1](#) [964562-4](#) [968782-1](#) [GT17SA-8DS-](#)
[HU](#) [98891-1012](#) [98947-1016](#) [12004147](#) [12004475-L](#) [12010290](#) [12010309-B](#) [12015454](#) [12020219-B](#) [12020308](#) [12041318-B](#) [12052225-L](#)
[12052466](#) [12059125](#) [12064869](#) [12004327-B](#) [12010503-B](#) [12015308](#) [12015384](#) [12015909](#) [1-21030-1](#) [12041254](#) [12041318](#) [12047946-B](#)
[12047957](#) [12047957-L](#) [12059473](#) [12066261](#)