

CONNETTORE TIPO A (CON MOLLA DI RITEGNO ESTERNA)
CONNECTOR TYPE A (WITH EXTERNAL SPRING)

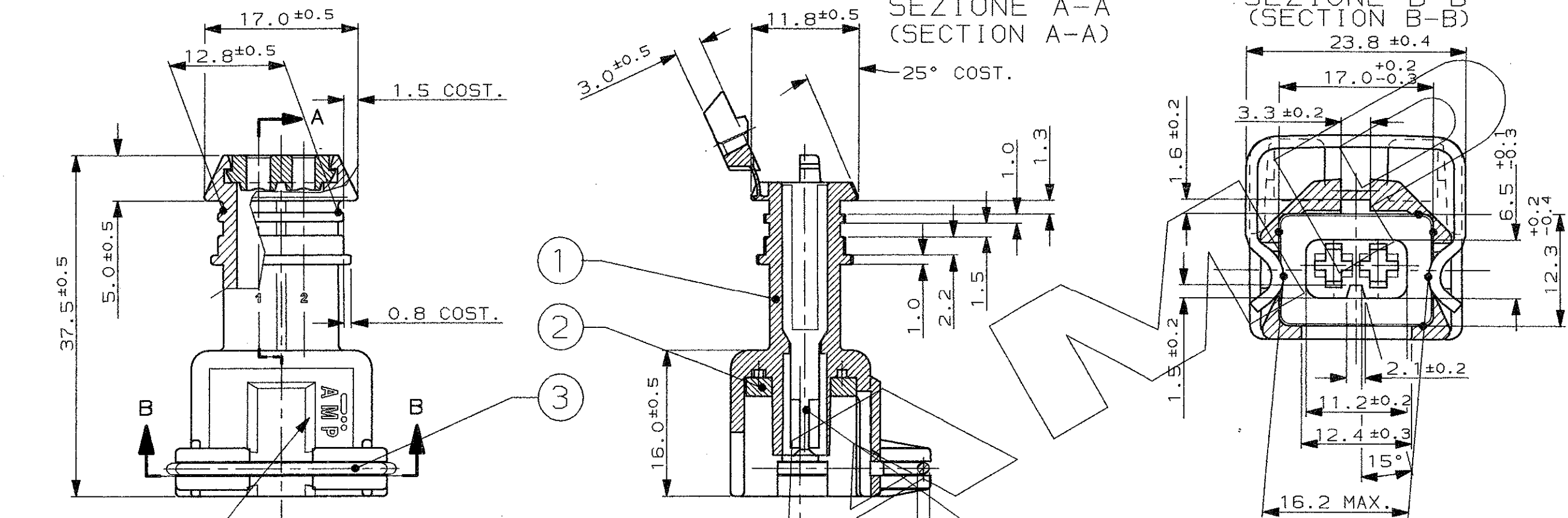
SCALA NON IMPEGNATIVA
(DO NOT SCALE)
DIMENSIONI IN mm
(DIMENSIONS IN)

METRIC

PROIEZIONE EUROPEA
(EUROPEAN PROJECTION)

SEZIONE A-A
(SECTION A-A)

SEZIONE B-B
(SECTION B-B)



LOGO AMP
(AMP TRADE MARK)

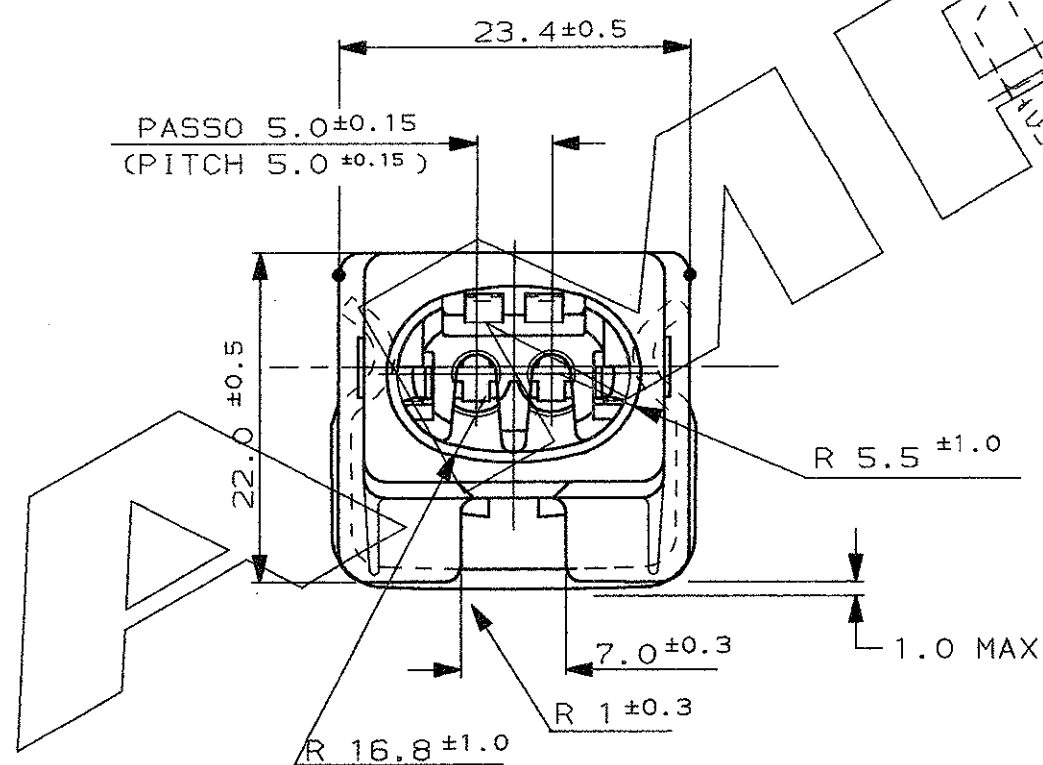
Ø FILO 1.3
(WIRE Ø 1.3)
ASSE CONNETTORE
(CONNECTOR CENTER LINE)

TIP. CAVITA' PER TERMINALI AMP JPT P/N 929939-...
OPPURE 929937-... E RELATIVI GOMMINI
AMP P/N 828904-1, 828904-2, 828905-1, 282536-1.
TAPPO CAVITA' P/N 828906-2

(TYP. CAV. FOR JPT CONT. P/N 929939-... A/O 929937-... AND REL.
SINGLE WIRE SEAL P/N 828904-1, 828904-2, 828905-1, 282536-1
CAVITY PLUG P/N 828906-2)

ASSE CAVITA'
(CAVITY CENTER LINE)

PASSO 5.0±0.15
(PITCH 5.0±0.15)



ROSSO (RED)	282762-8
GIALLO (YELLOW)	282762-7
MARRONE (BROWN)	282762-6
BLU (BLUE)	282762-5
VERDE (GREEN)	282762-4
NATURALE (CLEAR)	282762-3
GRIGIO (GREY)	282762-2
NERO (BLACK)	282762-1

OBSOLETE

COLORE (COLOR)	NUMERO (PART N°)	N° (ITEM)	FINITURA / COLORE (FINISH / COLOUR)	MATERIALE (MATERIAL)	DESCRIZIONE (DESCRIPTION)
		3	//////	ACCIAIO INOX (STAINLESS STEEL)	MOLLA (SPRING)
		2	NATURALE (CLEAR)	GOMMA SILICONE (SILICONE RUBBER)	GUARNIZIONE (SEALING)
		1	//////	PA 6.6	BLOCCHETTO (HOUSING)

CUSTOMER DWG. FOR REFERENCE ONLY
DISEGNO PER CLIENTE SOLO PER RIFERIMENTO

© COPYRIGHT 19 BY AMP INCORPORATED, HARRISBURG, PA. ALL INTERNATIONAL RIGHT RESERVED. AMP PRODUCTS MAY BE COVERED BY U.S. AND FOREIGN PATENT AND/OR PATENT PENDING

TOLLERANZE, SE NON DIVERSAMENTE SPECIFICATO (TOLERANCES, UNLESS OTHERWISE SPECIFIED)	DIAM. ISOLANTE (INS. DIA. RANGE) 1.4-3.0 (RED. INS. CABLE)	RANGO FILO (WIRE RANGE) 0.5-2.5 mm ²	SCALA (SCALE) ---
---	---	--	----------------------

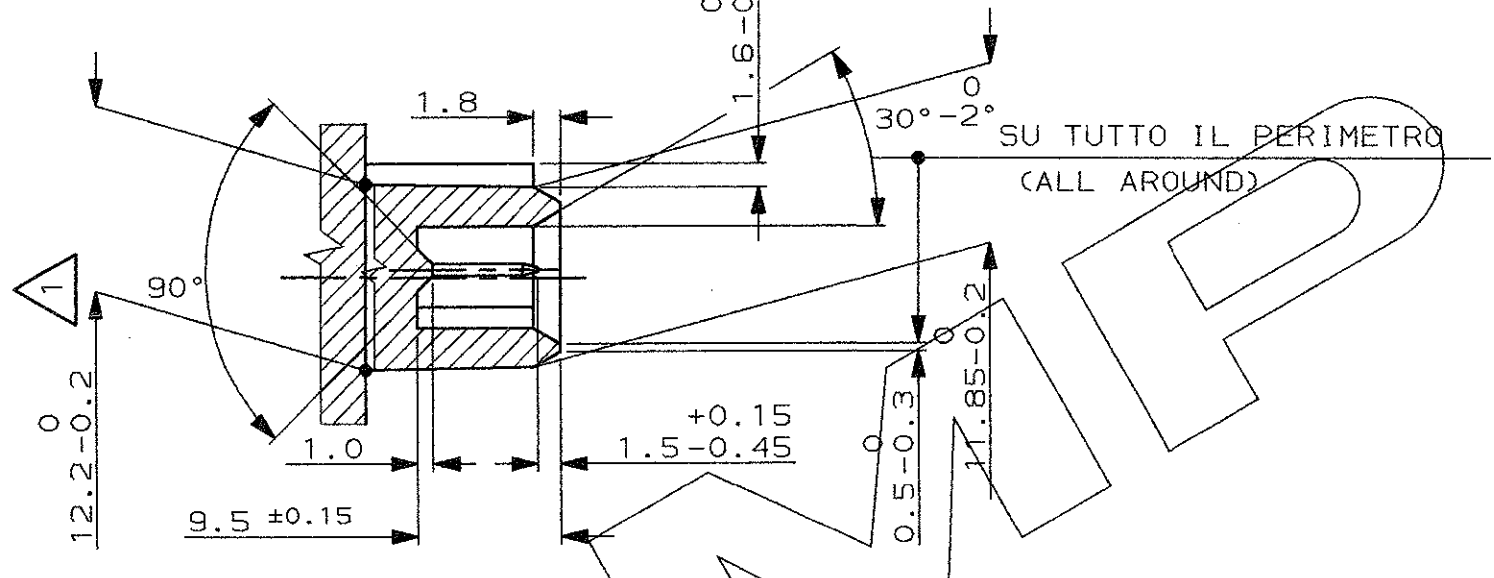
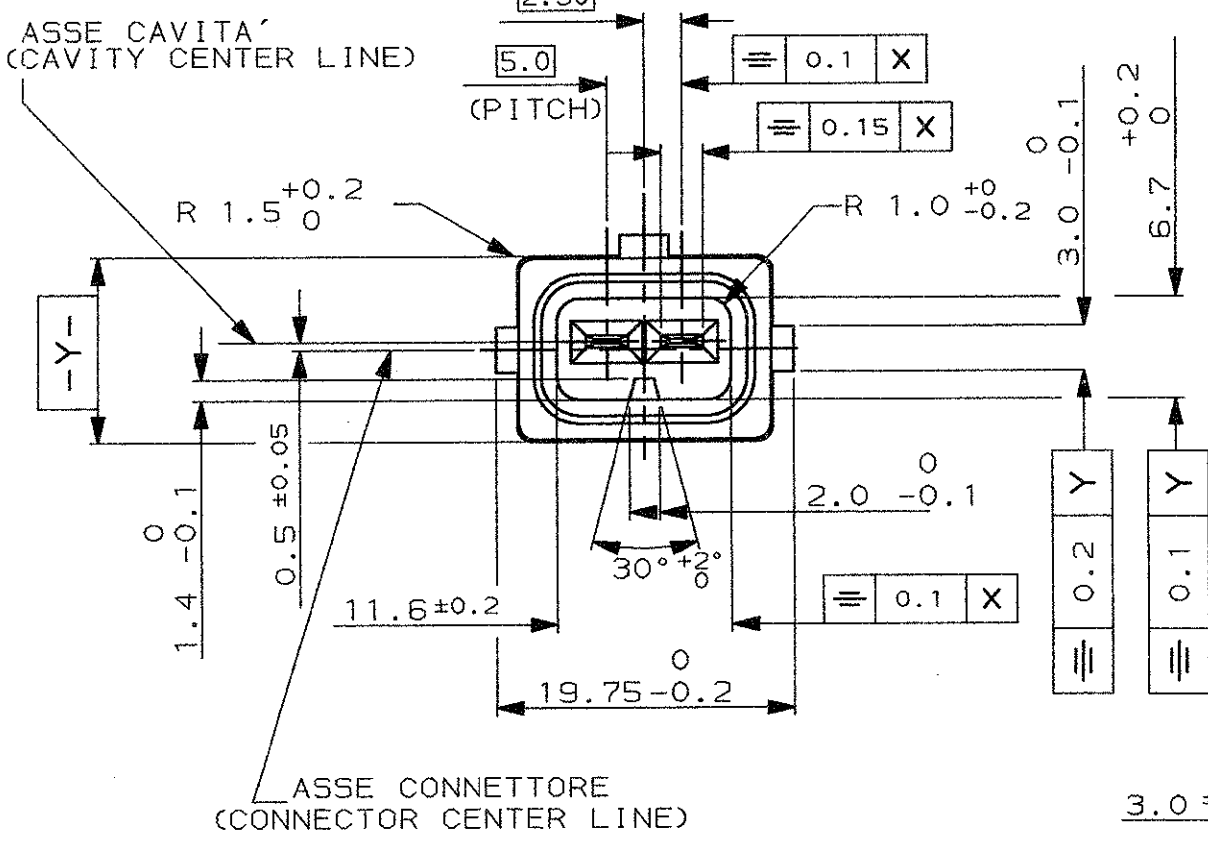
± 0.3
ANGOLI (ANGLES) ± 2°

E1	REVISED PER ECO-20-003218	AP	08MAY 2020	
E	ECR-14-003472	MP	24MAR 2014	
B1	AGGIORNATO CON ET00-0367-99	M.B.	25-11-1999	
B	AGGIORNATO E IN PRODUZIONE CON ET00-0075-96	A.B.	12-2-1996	
A	PRIMA EMISSIONE CON ET00-0217-95	A.B.	15-9-1995	
REV.	REVISIONI (REVISION RECORD)	DIS. DATA (DR) (DATE)		

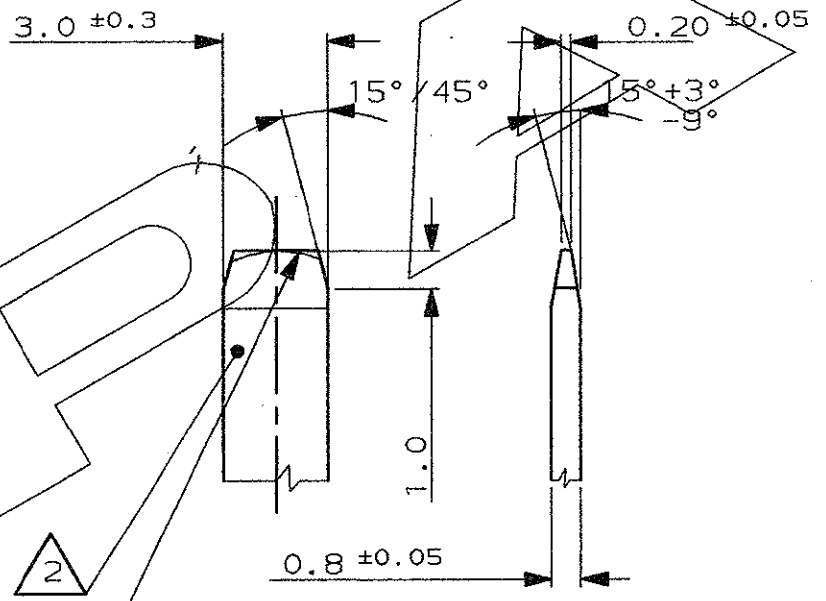
DIS. 24 MAY 96	DESCRIZIONE (DESCRIPTION)
CONT. A. BAJ	2 POS. SPLASH PROOF CONN. ASS'Y with SECONDARY LOCK
CONT. 24 MAY 96 (CHK) C. TARTARI	
LOC. SIZE NUMERO (DWG NO)	REV. FOGLIO (SHEET)
I A3 C-282762	E1 1 D1 2

STE TE Connectivity

DISTRIBUZIONE (PRINT DIST.)

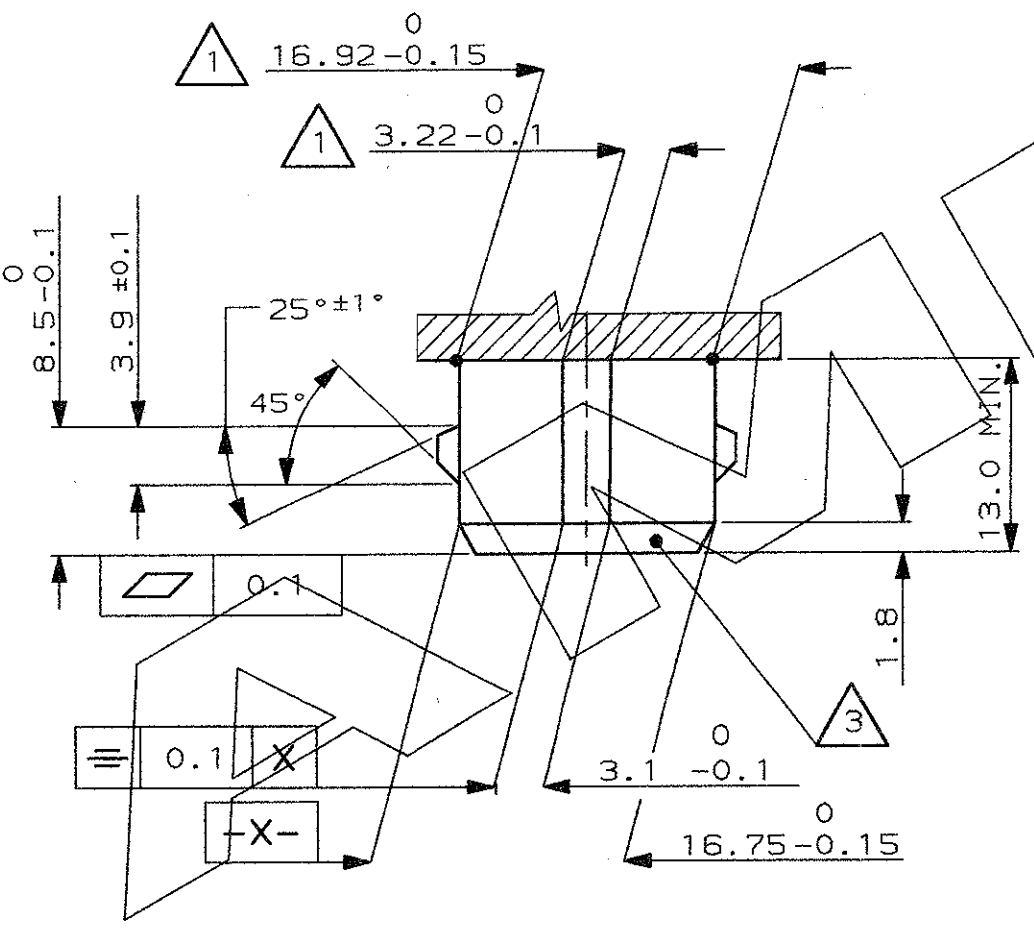


DETT. LINGUETTA TAB-SCALA 5:1- (TAB DETAIL)



FORMA ALTERNATIVA PERMESSA CON RAGGIO (ALLOWED ALTERNATIVE PROFILE WITH RADIUS)

- 1 QUOTE APPLICABILI PER SFORMATURA PEZZO (DRAFT PERMITTED TO FACILITATE REMOVAL OF PART FROM THE MOULD)
- 2 MATERIALE LINGUETTA: LEGA DI RAME STAGNATA, ES. OTTONE STAGNATO. (TAB CONTACT MATERIAL: TIN PLATED COPPER ALLOY, E.G. BRASS TIN PLATED)
- 3 MATERIALE BLOCCHETTO: TERMOPLASTICO CARICATO FIBRA VETRO. (HOUSING MATERIAL: THERMOPLASTIC, GLASS FIBER FILLED)



REV.	REVISIONI (REVISION RECORD)	DIS. (DR.)	DATA (DATE)	APP. (APP.)	FINITURA / COLORE (FINISH / COLOUR)	MATERIALE (MATERIAL)	NUMERO (PART NUMBER)
					CUSTOMER DWG. FOR REFERENCE ONLY		DISEGNO PER CLIENTE SOLO PER RIFERIMENTO
					THIS DRAWING IS UNPUBLISHED		RELEASE FOR PUBLICATION 19
					© COPYRIGHT 19 BY AMP INCORPORATED, HARRISBURG, PA. ALL INTERNATIONAL RIGHT RESERVED. AMP PRODUCTS MAY BE COVERED BY U.S. AND FOREIGN PATENT AND/OR PATENT PENDING		
					TOLLERANZE: SE NON DIVERSAMENTE SPECIFICATO (TOLERANCES, UNLESS OTHERWISE SPECIFIED)	DIAM. ISOLANTE (INS. DIA. RANGE)	RANGO FILO (WIRE RANGE)
					± 0.3		
					ANGOLI (ANGLES)		SCALA (SCALE)
					± 2°		
					DIS. (DR.)	DESCRIZIONE (DESCRIPTION)	
					CONT. (CHK)	2 POS. SPLASH PROOF CONN. ASS'Y with SECONDARY LOCK	
					LOC. (LOC.)	SIZE (SIZE)	NUMERO (DWG NO)
					I A3		C-282762
						REV. (REV.)	FOLIO (SHEET)
						E1	2 DI (OF) 2

DISTRIBUZIONE (PRINT/DIST.)

X-ON Electronics

Largest Supplier of Electrical and Electronic Components

Click to view similar products for [Automotive Connectors](#) category:

Click to view products by [TE Connectivity](#) manufacturer:

Other Similar products are found below :

[003-018-000](#) [60403001](#) [60993906-B](#) [M902-2131](#) [M902-2161](#) [M902-2344](#) [72.330.1035.1](#) [73.353.4028.0](#) [F119300-B](#) [F166900](#) [F258300-B](#)
[F358300-B](#) [F407400](#) [F444110](#) [F487000](#) [F509500B-B](#) [827153-1](#) [8N1515-32-24P](#) [9-1326729-8](#) [925474-1](#) [928905-1](#) [964562-4](#) [968782-1](#)
[GT17SA-8DS-HU](#) [98891-1012](#) [98947-1016](#) [12004147](#) [12004475-L](#) [12010290](#) [12010309-B](#) [12015454](#) [12020219-B](#) [12041318-B](#) [12052225-](#)
[L](#) [12052466](#) [12064869](#) [12004327-B](#) [12015308](#) [12015384](#) [12015909](#) [1-21030-1](#) [12041254](#) [12041318](#) [12047946-B](#) [12047957](#) [12047957-L](#)
[12059473](#) [12066261](#) [12110546](#) [12110546-B](#)