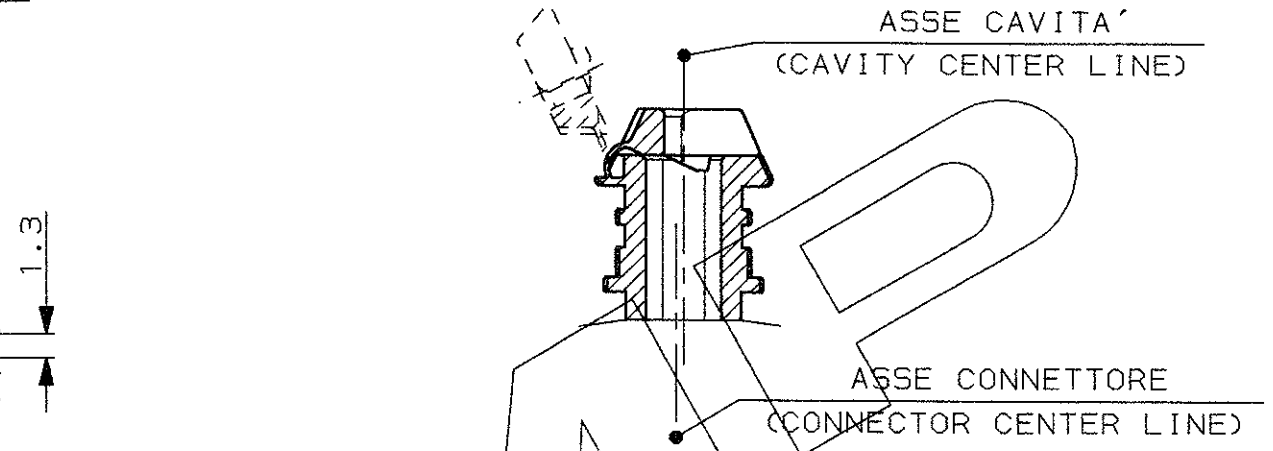
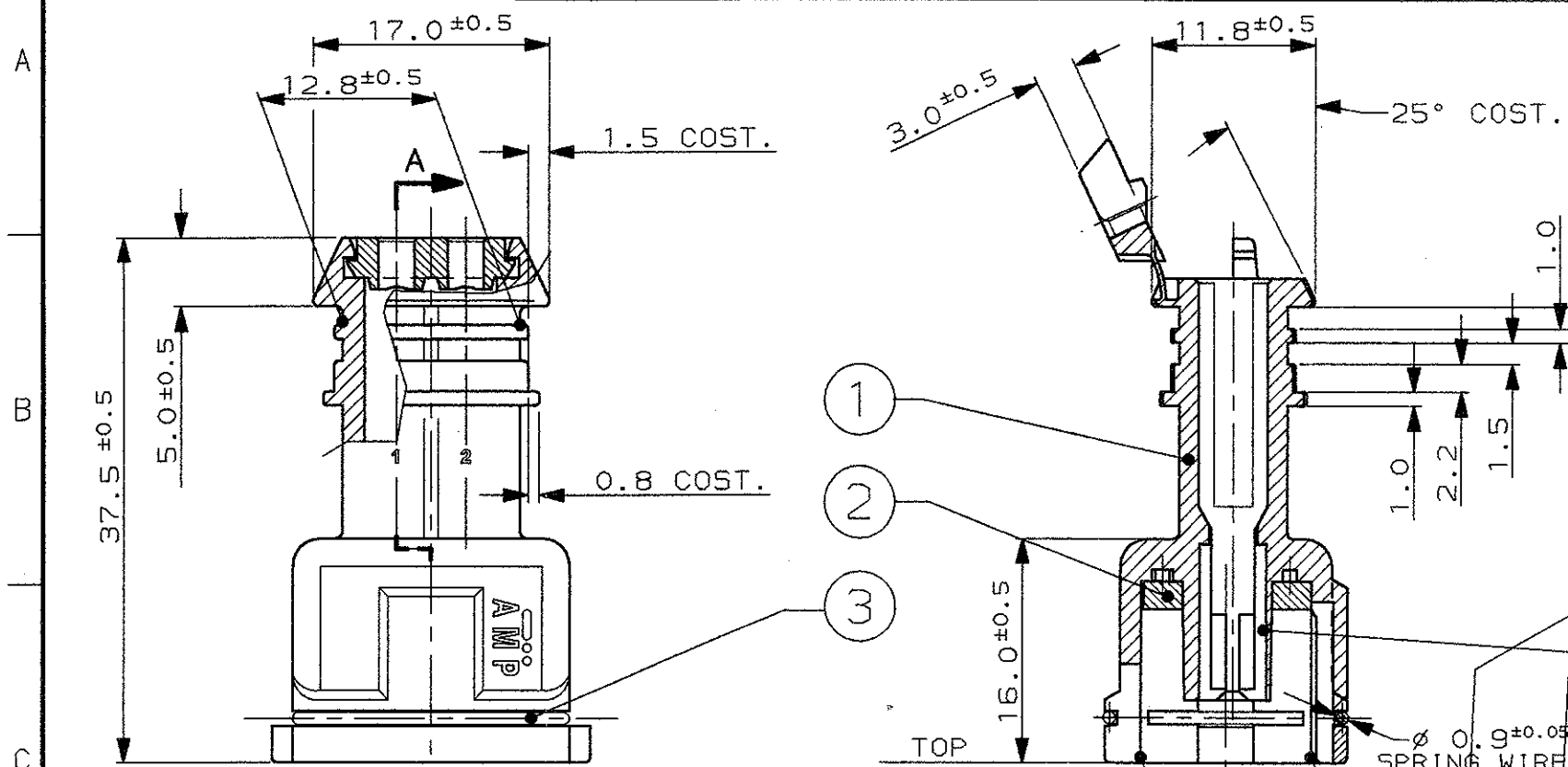


CONNETTORE TIPO B (CON MOLLA DI RITEGNO INTERNA)
CONNECTOR TYPE B (WITH INTERNAL SPRING)

SCALA NON IMPEGNATIVA
(DO NOT SCALE)
DIMENSIONI IN mm
(DIMENSIONS IN mm)

METRIC

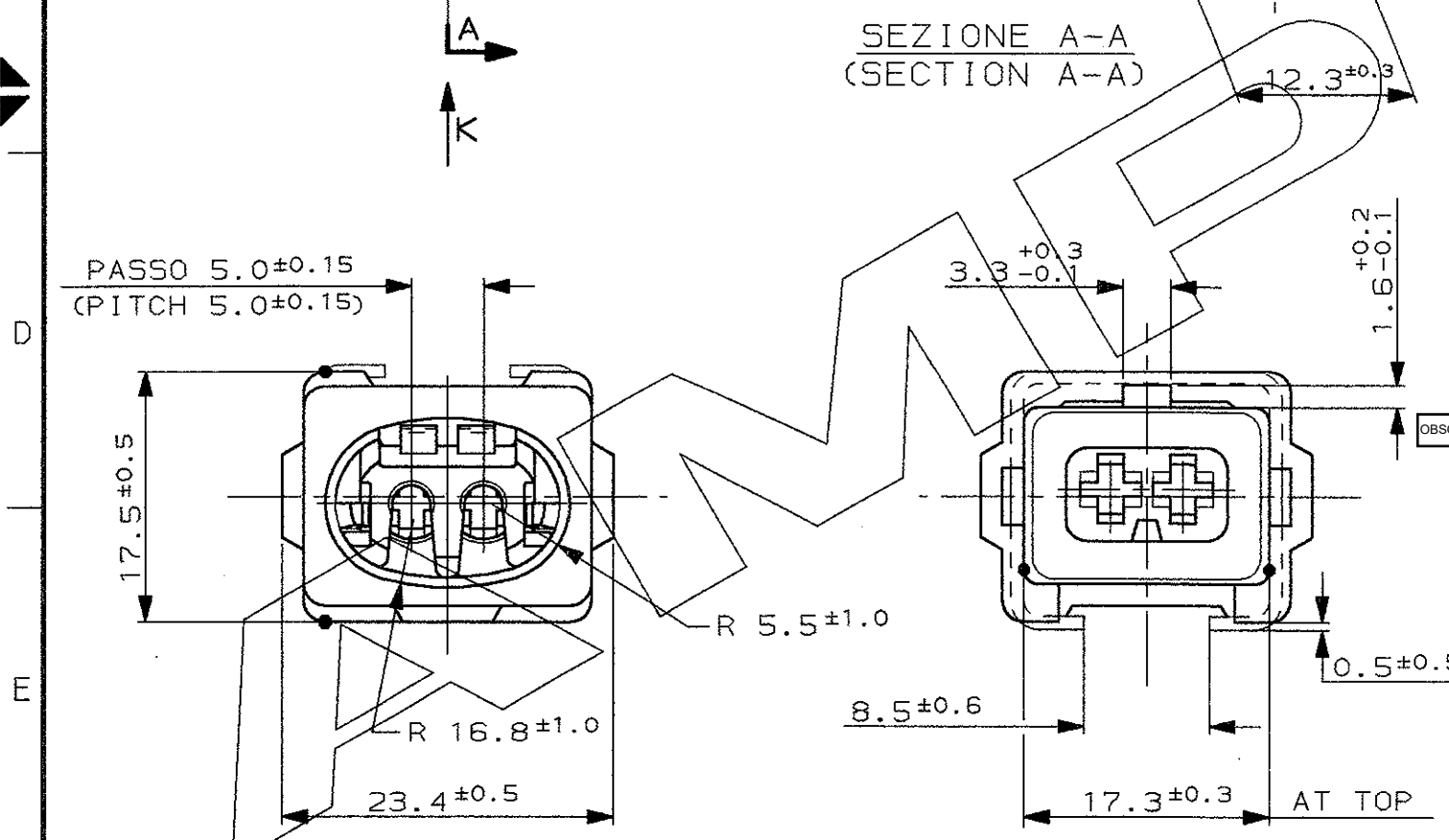
PROIEZIONE EUROPEA
(EUROPEAN PROJECTION)



CAVITA' ADATTA PER TERMINALI JUNIOR POWER TIMER:
CONTATTO P/N 929939-1 0 -3 CON GOMMINO P/N 828904-1
CAVO ISOLANTE RIDOTTO ϕ 1.5-2.1mm; SEZIONE 0.5-1.0mm²
CONTATTO P/N 929937-1 0 -3 CON GOMMINO P/N 828905-1
(O GOMMINO P/N 282536-1 SOLO PER CAVI SEZIONE 2.5mm²)
CAVO ISOLANTE RIDOTTO ϕ 2.2-3.0mm; SEZIONE 1.5-2.5mm²

CAVITY SUITABLE FOR JUNIOR POWER TIMER CONTACT:
CNT. P/N 929939-1 OR -3 PLUS WIRE SEAL P/N 828904-1
REDUCED INS. CABLE ϕ 1.5-2.1mm; WIRE RANGE 0.5-1.0mm²
CNT. P/N 929937-1 OR -3 PLUS WIRE SEAL P/N 828905-1
(OR WIRE SEAL P/N 282536-1 ONLY FOR WIRE SECT. 2.5 mm²)
REDUCED INS. CABLE ϕ 2.2-3.0mm; WIRE RANGE 1.5-2.5mm²

- PER DIMENSIONI CONTROPARTE VEDERE FOGLIO 2 DI 2.
(- FOR PIN HEADER DIMENSIONS SEE SHEET 2 OF 2).



SEZIONE A-A
(SECTION A-A)

VISTA DA K
(VIEW FROM K)

ROSSO (RED)	282788-8				
GIALLO (YELLOW)	282788-7				
MARRONE (BROWN)	282788-6				
BLU (BLUE)	282788-5	3	///////	ACCIAIO INOX (STAINLESS STEEL)	
VERDE (GREEN)	282788-4			MOLLA (SPRING)	
NATURALE (NATUR)	282788-3	2	NATURALE (NATURAL)	GOMMA (RUBBER)	
GRIGIO (GREY)	282788-2			GUARNIZIONE (RUBBER GASKET)	
NERO (BLACK)	282788-1	1	///////	PA 6.6	
				BLOCCHETTO (HOUSING)	
COLORE (COLOR)	NUMERO (PART N°.)	N° (ITEM)	FINITURA / COLORE (FINISH / COLOUR)	MATERIALE (MATERIAL)	DESCRIZIONE (DESCRIPTION)

CUSTOMER DWG. FOR REFERENCE ONLY
DISEGNO PER CLIENTE SOLO PER RIFERIMENTO

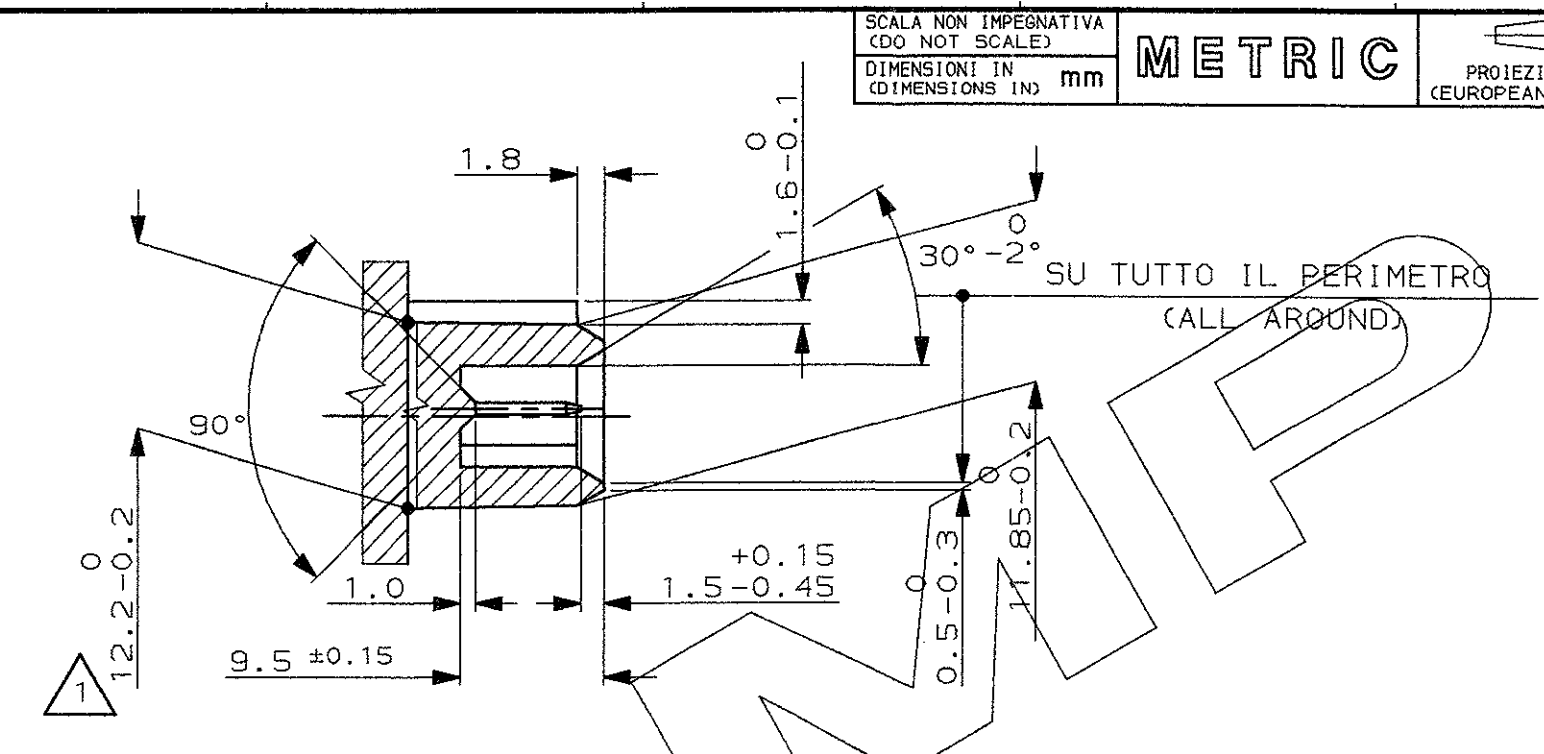
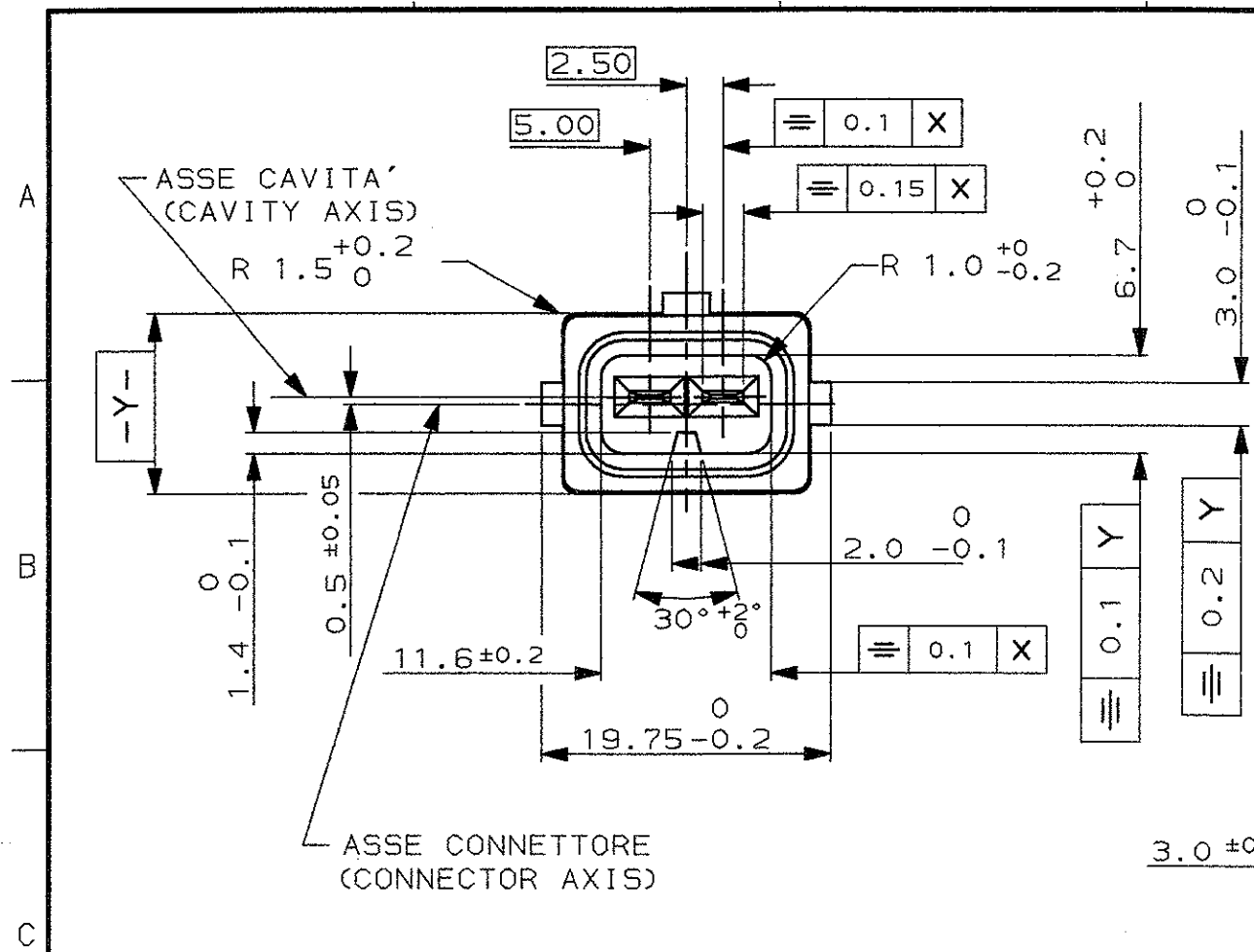
THIS DRAWING IS UNPUBLISHED		RELEASE FOR PUBLICATION		19
© COPYRIGHT 19 BY AMP INCORPORATED, HARRISBURG, PA. ALL INTERNATIONAL RIGHTS RESERVED. AMP PRODUCTS MAY BE COVERED BY U.S. AND FOREIGN PATENT AND/OR PATENT PENDING				
TOLLERANZE, SE NON DIVERSAMENTE SPECIFICATO		DIAM. ISOLANTE (INS. DIA. RANGE)		RANGO FILO (WIRE RANGE)
(TOLERANCES, UNLESS OTHERWISE SPECIFIED)		1.5-3.0 (REDUCED INS. CABLE)		0.5-2.5 mm ² ***
C1	REVISED PER ECO-20-003218	AP/VN	08MAY 2020	
C	ECR-14-003472	MP	24MAR 2014	± 0.3
B	IN PRODUZIONE (RELEASED FOR PRODUCTION) EC ET00-0325-96	A.F.	26 JUL '96	ANGOLI (ANGLES) ± 2°
A1	REVISED PER EC ET00-0096	A.F.	25 FEB '96	DIS. 22 DEC 95 (DR.) R. MARTINI RW
A	FIRST ISSUE PER EC ET00-0004-96 (PROP. NO. WAS 95-51276)	R.M.	03-01 '96	CONT. 22 DEC 95 (CHK) C. TARTARI
REV. (REV. LTR.)	REVISIONI (REVISION RECORD)	DIS. (DR)	DATA (DATE)	APP. (APP.)
I	A3	C-282788	C1	1



DESCRIZIONE (DESCRIPTION)
2 POS. SPLASH PROOF CONN. ASS'Y with SECONDARY LOCK

LOC. SIZE NUMERO (DRG NO.)
I A3 C-282788

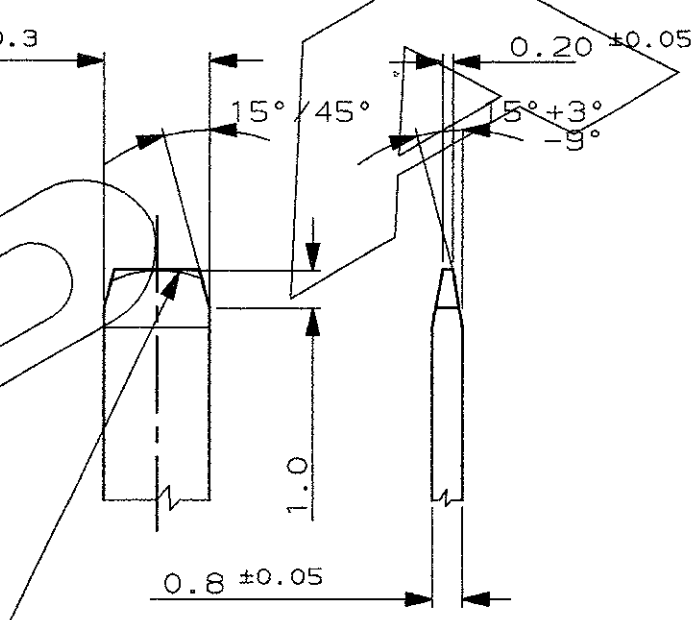
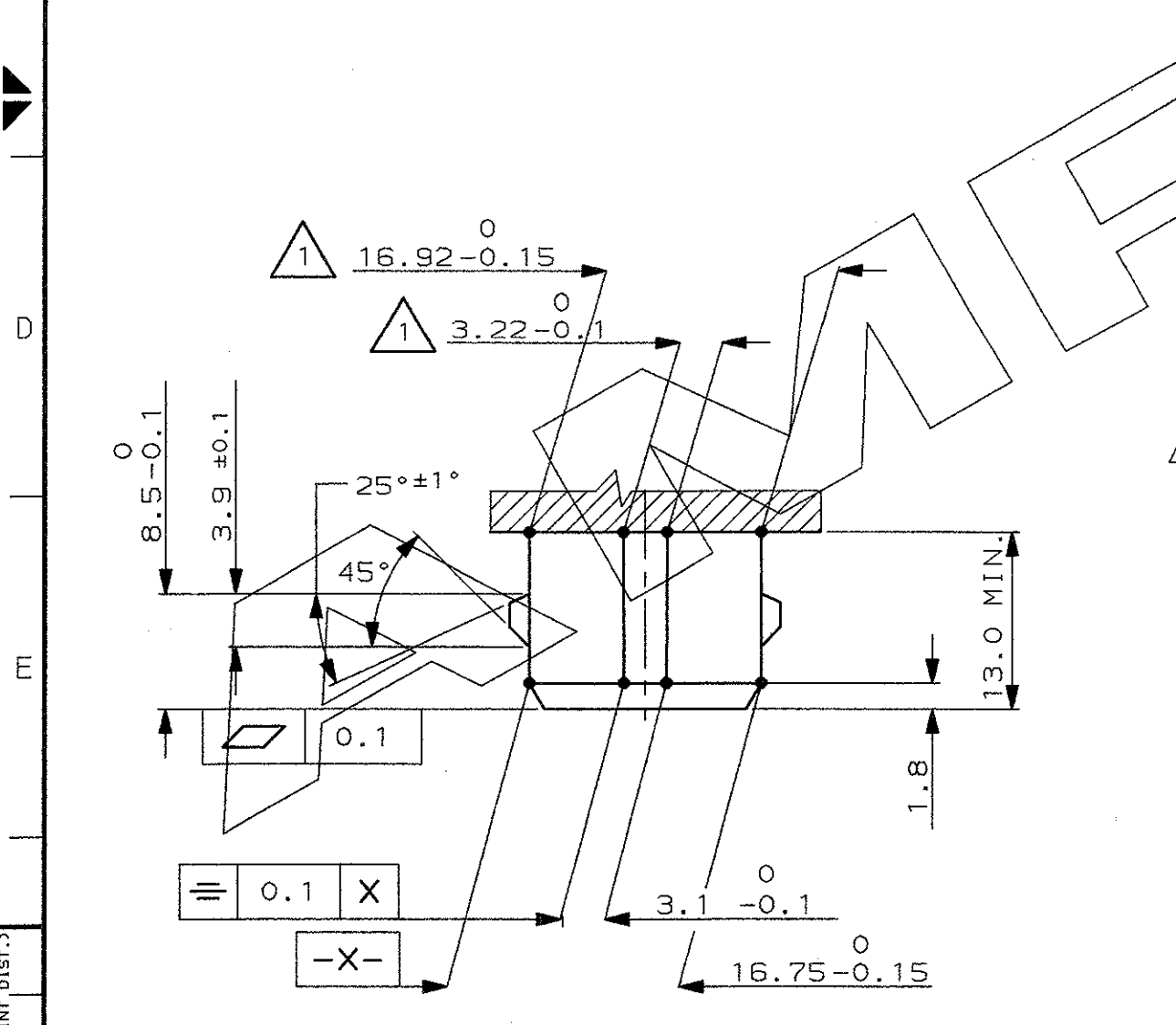
DISTRIBUZIONE (PRINT DIST.)



DETT. CONTATTO SC. 5:1
(TAB DETAIL SC. 5:1)

NOTE (NOTES):

- 1) QUOTE APPLICABILI PER SFORMATURA PEZZO (RIGHT DIMENSIONS FOR EXTRACTION ITEM FROM THE MOULD)
- 2) MATERIALE CONTATTI: LEGA DI RAME STAGNATA, ES. OTTONE STAGNATO. (TAB MATERIAL: TINNED Cu ALLOY, E.G. TINNED BRASS)
- 3) MATERIALE BLOCCHETTO: TERMOPLASTICO CARICATO FIBRA VETRO. (HOUSING MATERIAL: THERMOPLASTIC GLASS FIBER FILLED).



FORMA ALTERNATIVA PERMESSA CON RAGGIO
(ALLOWED ALTERNATIVE PROFILE WITH RADIUS)

FINITURA / COLORE (FINISH / COLOUR)	MATERIALE (MATERIAL)	NUMERO (PART NUMBER)
CUSTOMER DWG. FOR REFERENCE ONLY	DISEGNO PER CLIENTE SOLO PER RIFERIMENTO	19
THIS DRAWING IS UNPUBLISHED		RELEASE FOR PUBLICATION
© COPYRIGHT 19 BY AMP INCORPORATED, HARRISBURG, PA. ALL INTERNATIONAL RIGHT RESERVED. AMP PRODUCTS MAY BE COVERED BY U.S. AND FOREIGN PATENT AND/OR PATENT PENDING		
TOLLERANZE, SE NON DIVERSAMENTE SPECIFICATO (TOLERANCES, UNLESS OTHERWISE SPECIFIED)	DIAM. ISOLANTE (INS. DIA. RANGE)	RANGO FILO (WIRE RANGE)
± 0.3	SEE SHEET 1	SEE SHEET 1 ***
ANGOLI (ANGLES)	TE Connectivity	
± 2°	DESCRIZIONE (DESCRIPTION)	
DIS. (DR.)	2 POS. SPLASH PROOF CONN. ASS'Y with SECONDARY LOCK	
CONT. (CHK)	LOC. SIZE NUMERO (DWG NO)	REV. FOGLIO (SHEET)
SEE SHEET 1 OF 2	I A3 C-282788	C1 2 DI (OF) 2
REV. (REV. LTN.)	REVISIONI (REVISION RECORD)	DIS. DATA (DR) (DATE)

DISTRIBUZIONE
(PRINT DIST.)

X-ON Electronics

Largest Supplier of Electrical and Electronic Components

Click to view similar products for [Automotive Connectors](#) category:

Click to view products by [TE Connectivity](#) manufacturer:

Other Similar products are found below :

[003-018-000](#) [60403001](#) [60993906-B](#) [M902-2131](#) [M902-2161](#) [M902-2344](#) [72.330.1035.1](#) [73.353.4028.0](#) [F119300-B](#) [F166900](#) [F258300-B](#)
[F358300-B](#) [F407400](#) [F444110](#) [F487000](#) [F509500B-B](#) [827153-1](#) [8N1515-32-24P](#) [9-1326729-8](#) [925474-1](#) [928905-1](#) [964562-4](#) [968782-1](#)
[GT17SA-8DS-HU](#) [98891-1012](#) [98947-1016](#) [12004147](#) [12004475-L](#) [12010290](#) [12010309-B](#) [12015454](#) [12020219-B](#) [12041318-B](#) [12052225-](#)
[L](#) [12052466](#) [12064869](#) [12004327-B](#) [12015308](#) [12015384](#) [12015909](#) [1-21030-1](#) [12041254](#) [12041318](#) [12047946-B](#) [12047957](#) [12047957-L](#)
[12059473](#) [12066261](#) [12110546](#) [12110546-B](#)