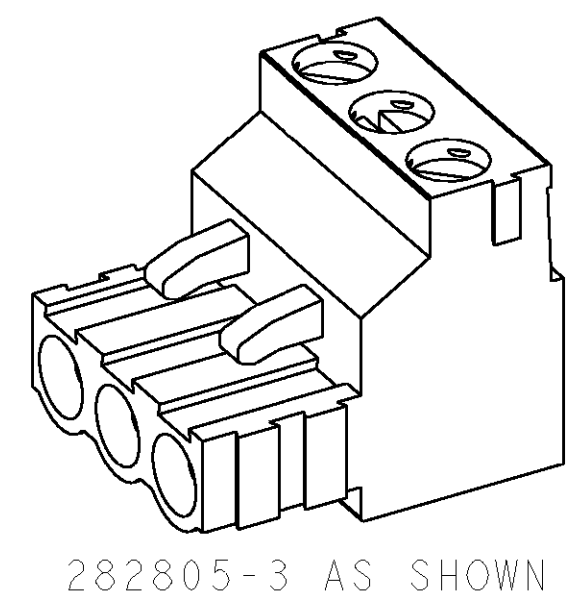
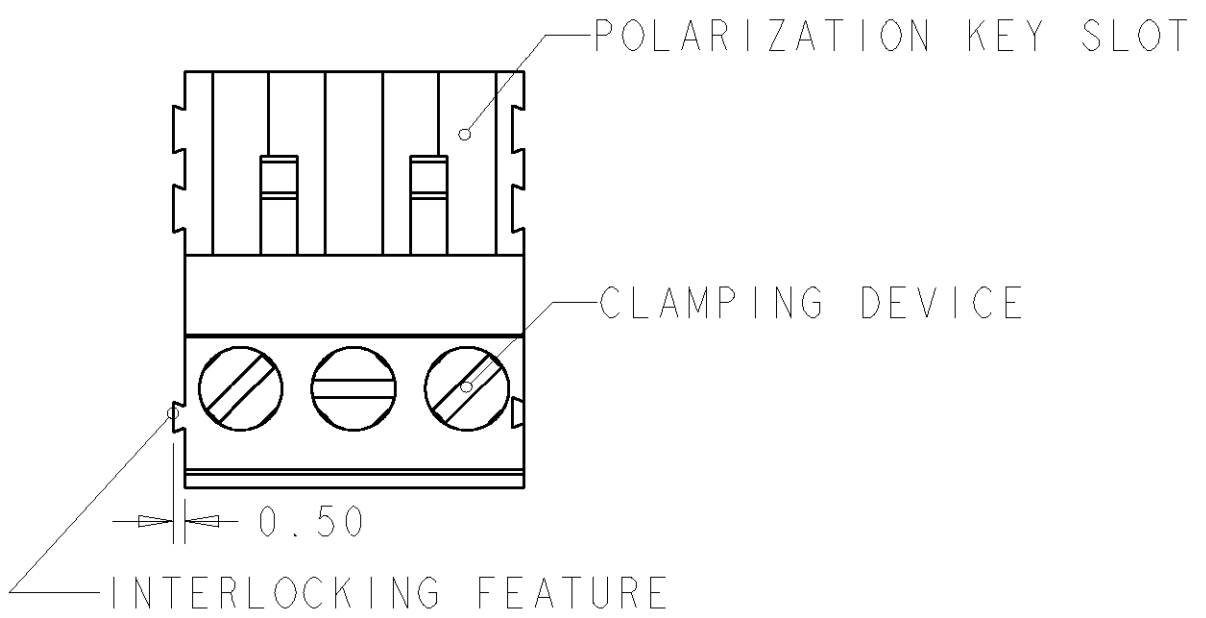
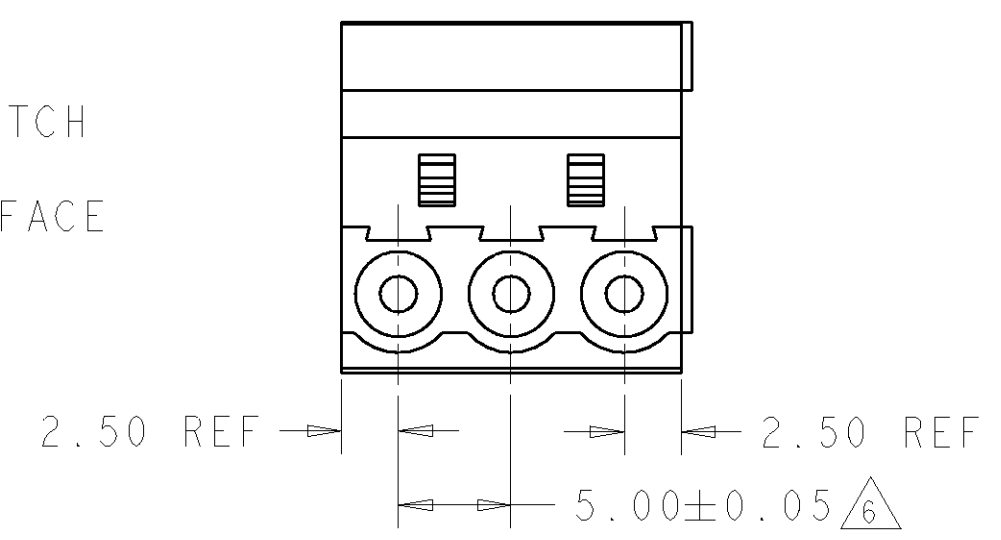
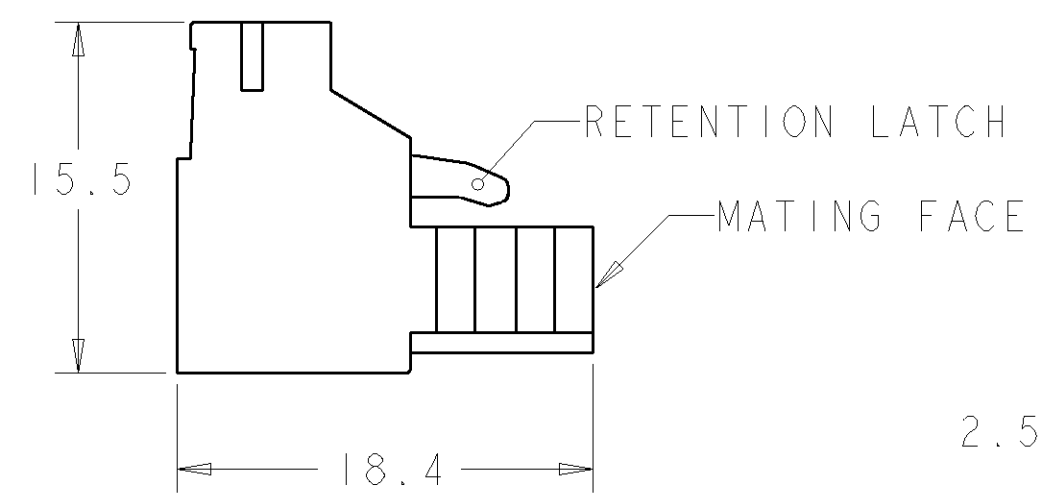
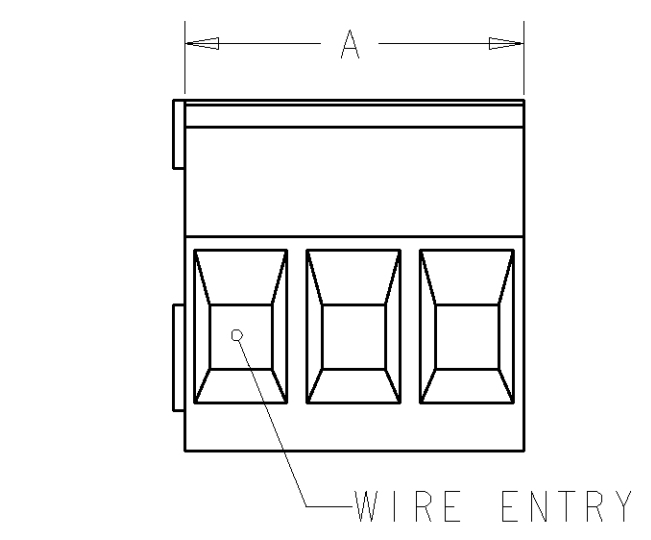


THIS DRAWING IS UNPUBLISHED. RELEASED FOR PUBLICATION 20
 © COPYRIGHT 20 BY TYCO ELECTRONICS CORPORATION. ALL RIGHTS RESERVED.

| LOC | DIST | REVISIONS | | | |
|-----|------|-------------|--------------------------|-----------|-------|
| P | LTR | DESCRIPTION | DATE | DWN | APVD |
| FT | 0 | C | REVISED PER 0G3B-0119-01 | 27JUL2001 | EZ DB |
| | | | | | |
| | | | | | |



- 1 MATERIALS AND FINISH
 HOUSING: PA 6-6, UL 94-V0, COLOR GREEN.
 CLAMP: BRASS, NICKEL PLATED.
 DOUBLE SIDE CONTACT SPRING: PHOSPHOR BRONZE, TIN PLATED.
 CLAMPING SCREW: M3, BRASS, NICKEL PLATED.
 - 2 END-TO-END STACKABLE W/INTERLOCK WITHOUT LOSS OF CENTERLINE SPACING.
 - 3 WIRE SIZE RANGE
 SOLID WIRE: 0.03-2.5mm² (13AWG).
 STRANDED WIRE: 0.03-1.5mm² (15AWG).
 - 4 RECOGNIZED UNDER THE COMPONENT PROGRAM OF UNDERWRITERS LABORATORIES INC. FILE N° E60677.
 - 5 IQO CERTIFICATE WITH SURVEILLANCE IN CONFORMITY WITH IEC 998-1/998-2-1.
- 6 NOT CUMULATIVE TOLERANCE



| 20 | 4 | 282805-4 |
|--------|------------|-------------|
| 15 | 3 | 282805-3 |
| 10 | 2 | 282805-2 |
| DIM. A | N° OF POS. | PART NUMBER |

THIS DRAWING IS A CONTROLLED DOCUMENT FOR TYCO ELECTRONICS CORPORATION IT IS SUBJECT TO CHANGE AND THE CONTROLLING ENGINEERING ORGANIZATION SHOULD BE CONTACTED FOR THE LATEST REVISION.

| | | | |
|-------------|--|--------------------------------|---|
| DIMENSIONS: | TOLERANCES UNLESS OTHERWISE SPECIFIED: | DWN 27JUL2001 E. ZANOLINI | BUCHANAN Tyco Electronics Harrisburg, PA 17105-3608 |
| mm | 0 PLC ±- | CHK 27JUL2001 D. BIEVENOUR | |
| | 1 PLC ±.3 | APVD 27JUL2001 D. BIEVENOUR | |
| | 2 PLC ±.25 | PRODUCT SPEC 108-20166 | |
| | 3 PLC ±- | APPLICATION SPEC 114-20079 | NAME |
| | 4 PLC ±- | WEIGHT - | TERMINAL BLOCK PLUG STACKING W/INTERLOCK 5mm PITCH |
| | ANGLES ±2 | CUSTOMER DRAWING | SIZE A3 |
| MATERIAL 1 | FINISH 1 | SCALE 3:1 | CAGE CODE 00779 |
| | | SHEET 1 OF 1 | DRAWING NO C-282805 |
| | | REV C | RESTRICTED TO - |

X-ON Electronics

Largest Supplier of Electrical and Electronic Components

Click to view similar products for [Pluggable Terminal Blocks](#) category:

Click to view products by [TE Connectivity](#) manufacturer:

Other Similar products are found below :

[57.510.0053](#) [MC 1.5/ 6-ST-3.5 GY AU](#) [ET02015000J0G](#) [734-104](#) [734-302](#) [8-141-P](#) [8426620000](#) [860505](#) [860516](#) [860810](#) [GBPACX-12](#)
[93.731.4953.0](#) [PV05-5,08-K](#) [PVP03-3,50](#) [PVP04-3,50](#) [PVS02-5,00](#) [1-1986160-3](#) [1377680000](#) [1531000000](#) [1546228-5](#) [ELFH16150](#)
[ELFP03110](#) [ELFP10210](#) [ELFT06250](#) [ELVP03100](#) [1700101](#) [1700410](#) [1700425](#) [1702246](#) [1705229](#) [1710175](#) [1714537](#) [1717806](#) [1719600](#)
[1728941](#) [1734692](#) [1734795](#) [1736036](#) [1740194](#) [1740628](#) [1740990](#) [1746952](#) [1750207](#) [1752441](#) [1752865](#) [1754115](#) [1754144](#) [1756913](#)
[1760051](#) [1760336](#)