

4

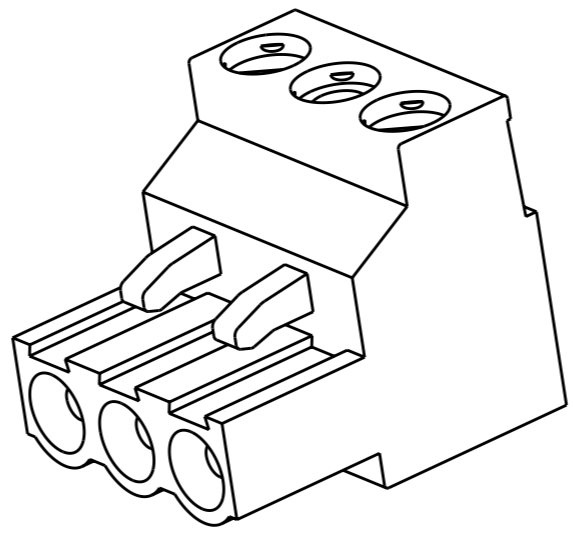
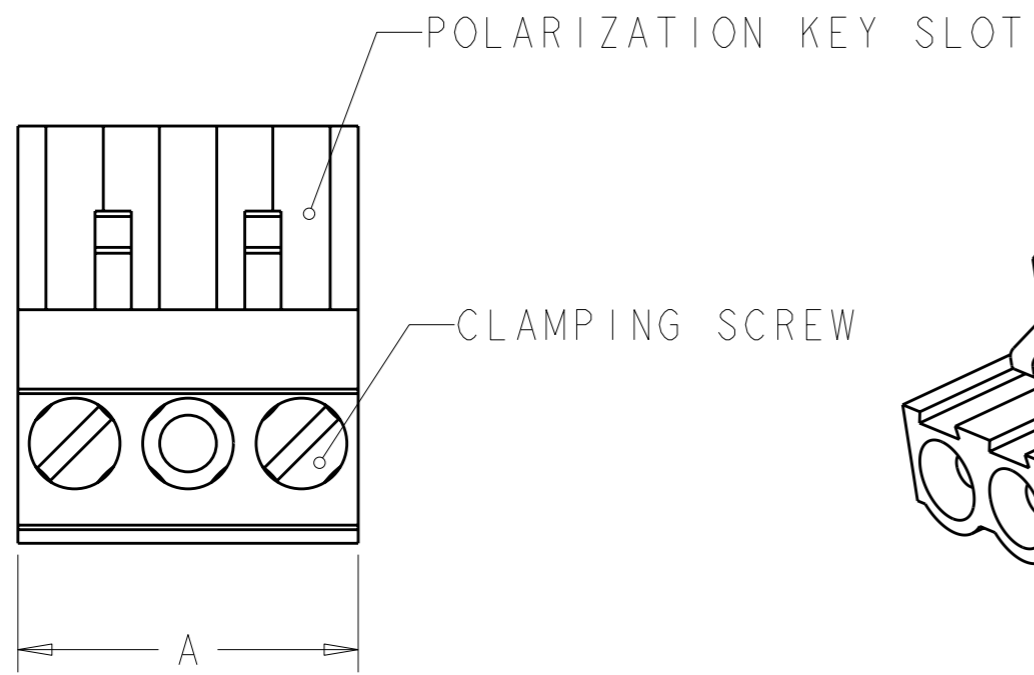
3

2

1

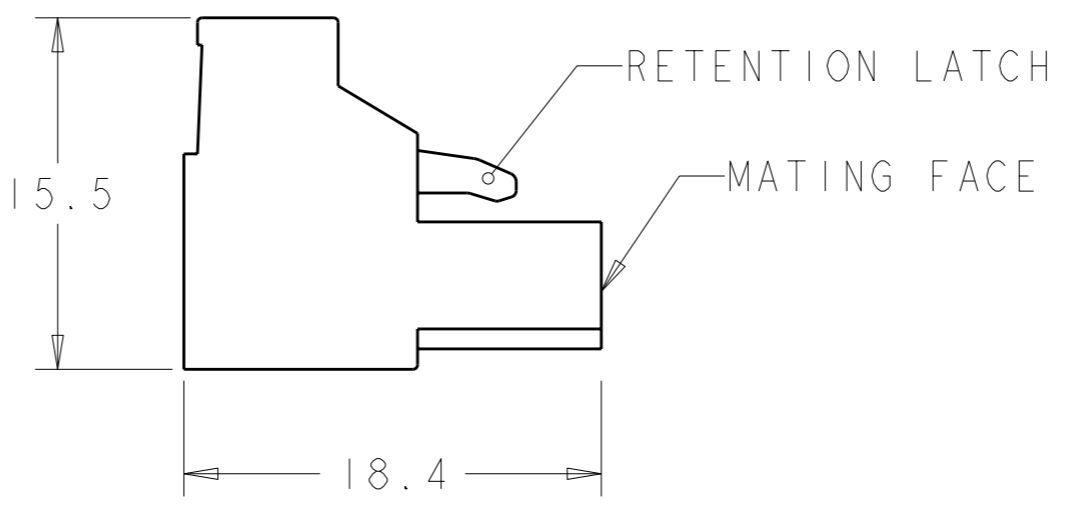
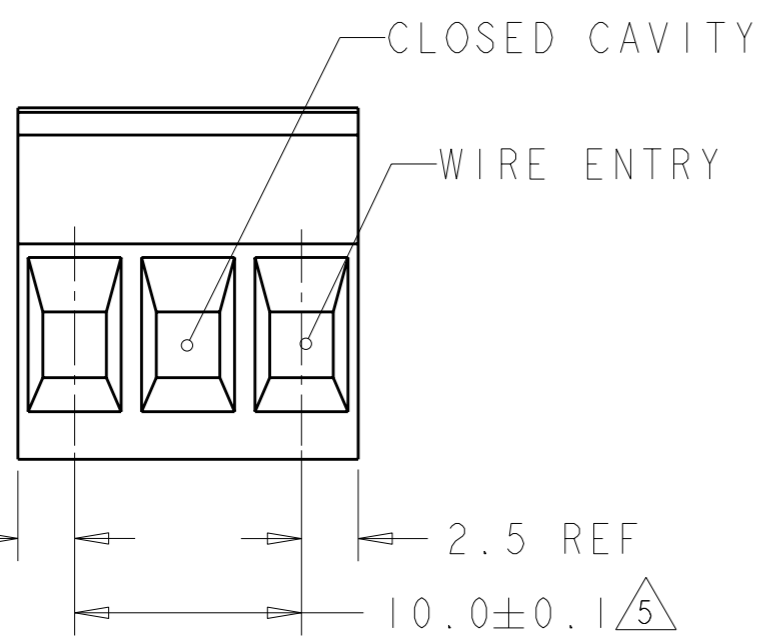
THIS DRAWING IS UNPUBLISHED. RELEASED FOR PUBLICATION 20  
 © COPYRIGHT 20 ALL RIGHTS RESERVED.

LOC	DIST	REVISIONS			
P	LTR	DESCRIPTION	DATE	DWN	APVD
FT	0	C2	REVISED PER ECO-11-021326	04NOV2011	KH MS

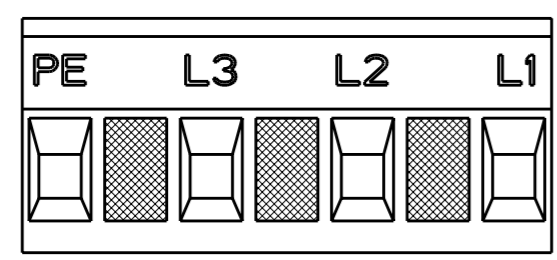


282808-2 AS SHOWN

- 1 MATERIALS AND FINISH  
 HOUSING: PA 6-6, UL 94-V0, COLOR GREEN.  
 CLAMP: BRASS, NICKEL PLATED.  
 DOUBLE SIDE CONTACT SPRING: PHOSPHOR BRONZE, TIN PLATED.  
 CLAMPING SCREW: M3, BRASS, NICKEL PLATED.
- 2 WIRE SIZE RANGE  
 SOLID WIRE: 0,03-2,5mm<sup>2</sup> (13AWG).  
 STRANDED WIRE: 0,03-1,5mm<sup>2</sup> (15AWG).
- 3 RECOGNIZED UNDER THE COMPONENT PROGRAM OF  
 UNDERWRITERS LABORATORIES INC., FILE<sup>o</sup> E60677.
- 4 IMQ CERTIFICATE WITH SURVEILLANCE IN  
 CONFORMITY WITH IEC 998-1/998-2-1.
- 5 NOT CUMULATIVE TOLERANCE.
- 6 PERMANENT MARKING, COLOR BLACK.



DIM. A	NO OF POS.	PART NUMBER
35	4	1-282808-4
125	13	1-282808-3
115	12	1-282808-2
105	11	1-282808-1
95	10	1-282808-0
85	9	282808-9
75	8	282808-8
65	7	282808-7
55	6	282808-6
45	5	282808-5
35	4	282808-4
25	3	282808-3
15	2	282808-2



SCALE 2:1  
 1-282808-4 AS SHOWN

THIS DRAWING IS A CONTROLLED DOCUMENT.		DWN 23JUL2001 E. ZANOLINI		TE Connectivity	
DIMENSIONS: mm		CHK 23JUL2001 D. BIEVENOUR			
TOLERANCES UNLESS OTHERWISE SPECIFIED:		APVD 23JUL2001 D. BIEVENOUR		NAME	
0 PLC ±-		PRODUCT SPEC		108-20166	
1 PLC ±0.2		APPLICATION SPEC		114-20079	
2 PLC ±0.25		WEIGHT		-	
3 PLC ±-		CUSTOMER DRAWING		SCALE 3:1	
4 PLC ±-		FINISH		SHEET 1 OF 1	
ANGLES ±2		MATERIAL		REV C2	

## X-ON Electronics

Largest Supplier of Electrical and Electronic Components

*Click to view similar products for [Pluggable Terminal Blocks](#) category:*

*Click to view products by [TE Connectivity](#) manufacturer:*

Other Similar products are found below :

[57.510.0053](#) [MC 1.5/ 6-ST-3.5 GY AU](#) [734-104](#) [734-302](#) [8-141-P](#) [8426620000](#) [860505](#) [860516](#) [860810](#) [GBPACX-12](#) [93.731.4953.0](#) [PV05-5,08-K](#) [PVP03-3,50](#) [PVP04-3,50](#) [PVS02-5,00](#) [1-1986160-3](#) [1377680000](#) [1531000000](#) [1546228-5](#) [ELFH16150](#) [ELFP03110](#) [ELFP10210](#) [ELFT06250](#) [ELVP03100](#) [1700101](#) [1700410](#) [1700425](#) [1702246](#) [1705229](#) [1710175](#) [1714537](#) [1717806](#) [1719600](#) [1728941](#) [1734692](#) [1734795](#) [1736036](#) [1740194](#) [1740291](#) [1740628](#) [1740990](#) [1746952](#) [1750207](#) [1752441](#) [1752865](#) [1754115](#) [1754144](#) [1756913](#) [1760051](#) [1760336](#)