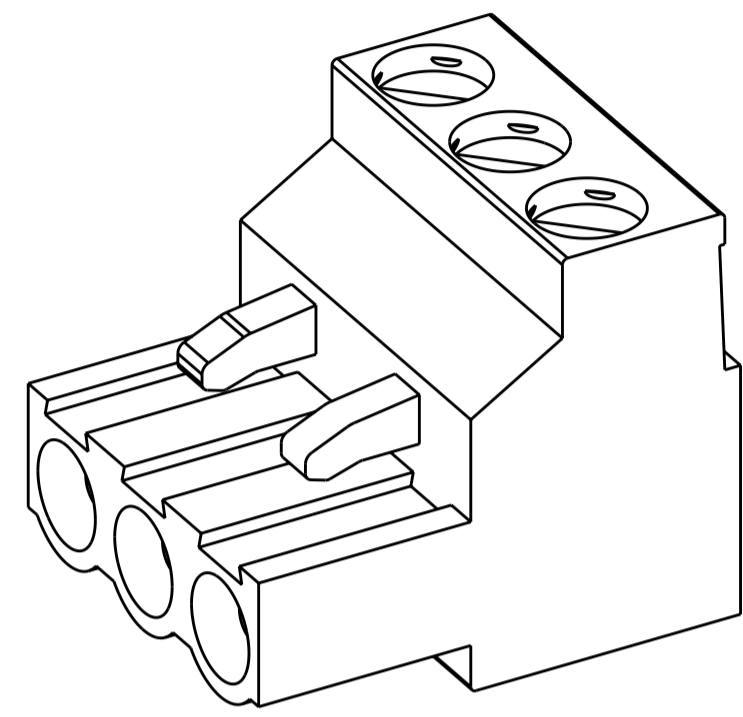
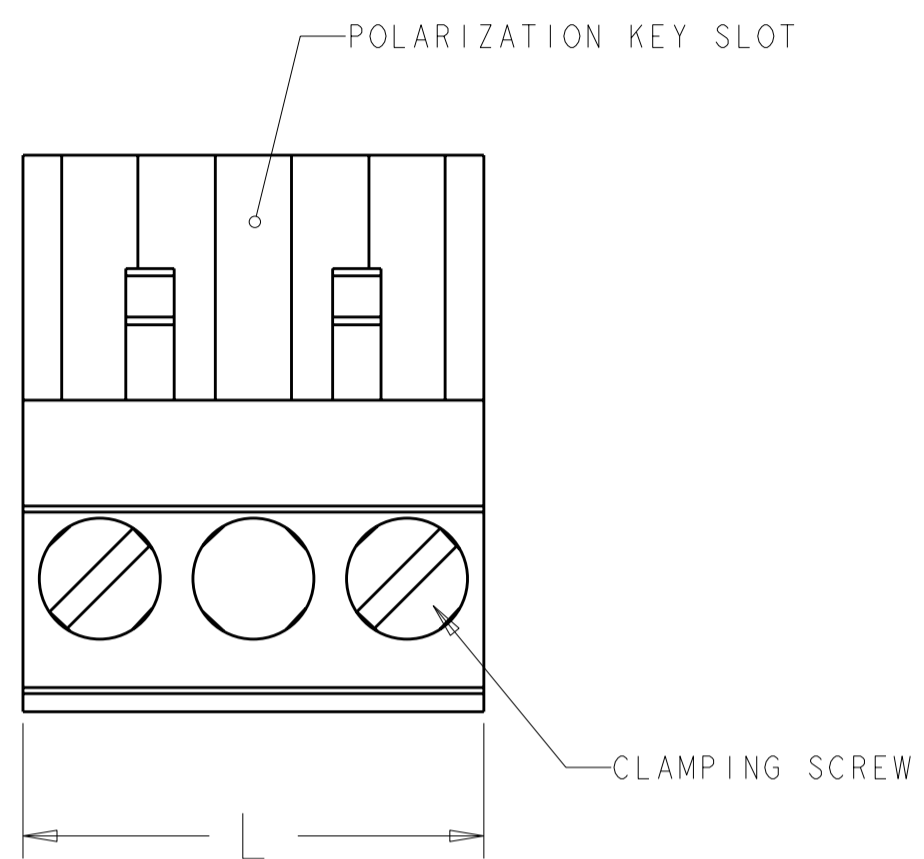
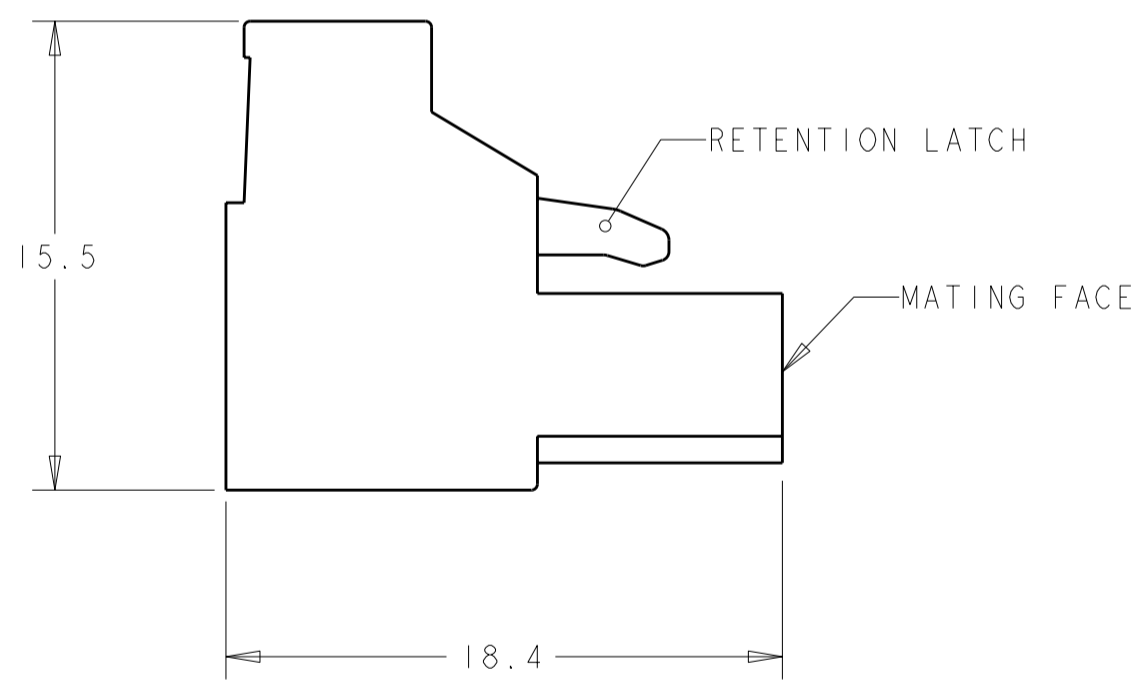
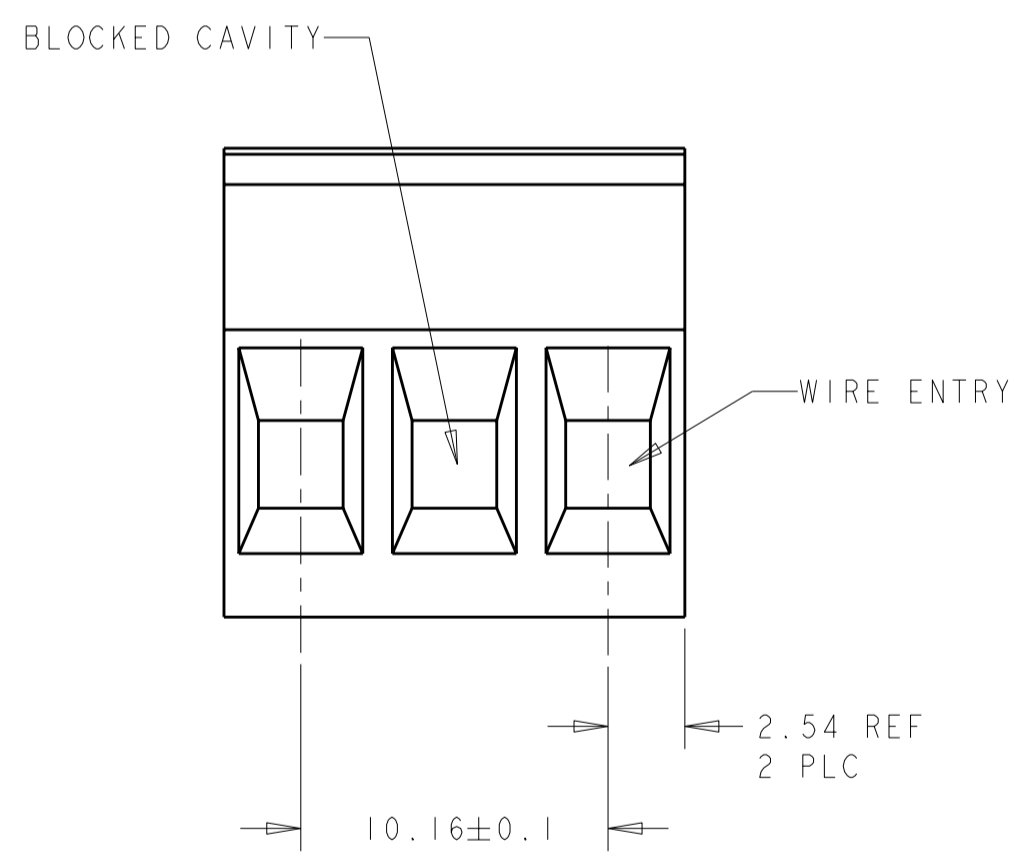
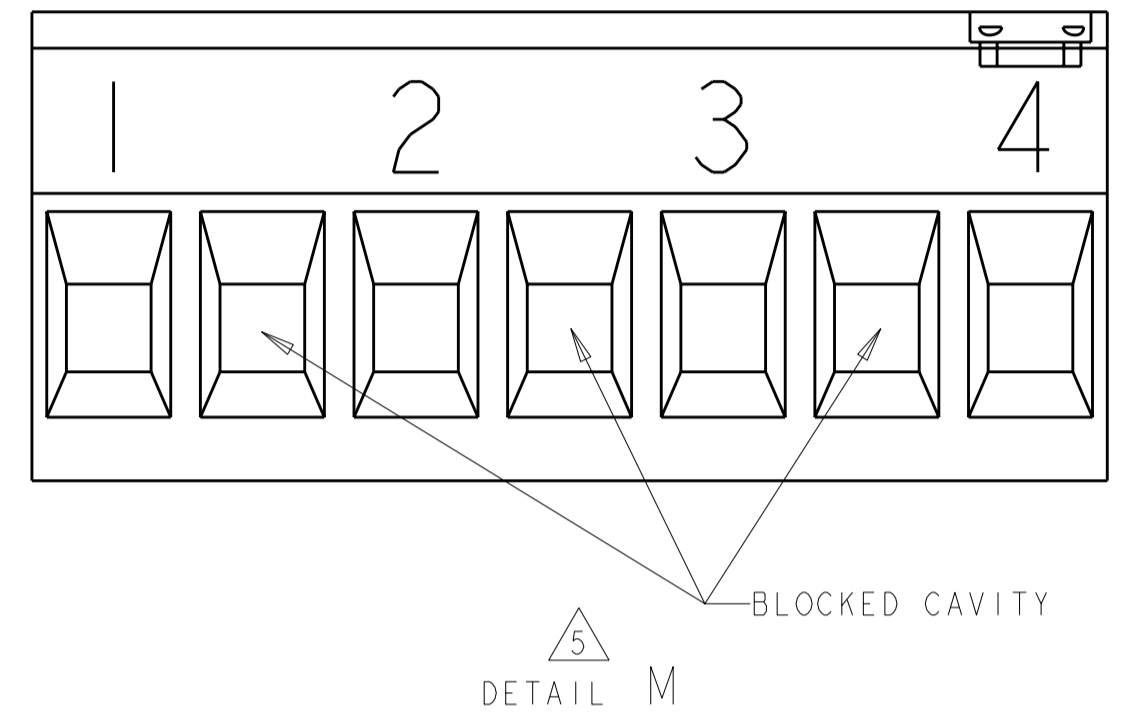


THIS DRAWING IS UNPUBLISHED. RELEASED FOR PUBLICATION 20
 © COPYRIGHT 20 BY - ALL RIGHTS RESERVED.

LOC		DIST		REVISIONS			
P	LTR	DESCRIPTION	DATE	DWN	APVD		
FT	0	EI	REVISÉ PER ECO-11-005027	15MAR2011	RK	HMR	



282809-3 AS SHOWN



- MATERIALS AND FINISH:
 HOUSING: PA 6-6, UL 94-V0, COLOR: SEE TABLE.
 CLAMP: BRASS, NICKEL PLATED.
 CONTACT SPRING: PHOSPHOR BRONZE, TIN PLATED.
 CLAMPING SCREW: M3, BRASS, NICKEL PLATED.
 - WIRE SIZE RANGE: 12-30 AWG.
 - RECOGNIZED UNDER THE COMPONENT PROGRAM OF UNDERWRITERS LABORATORIES INC. FILE N° E60677.
 - IMO CERTIFICATE WITH SURVEILLANCE IN CONFORMITY WITH IEC 998-1/998-2-1.
- △ INK MARKING, WHITE COLOR.

DETAIL M	BLACK	35.56	4	1-282809-5
DETAIL M	GREEN	35.56	4	1-282809-4
-	GREEN	127.00	13	1-282809-3
-	GREEN	116.84	12	1-282809-2
-	GREEN	106.68	11	1-282809-1
-	GREEN	96.52	10	1-282809-0
-	GREEN	86.36	9	282809-9
-	GREEN	75.20	8	282809-8
-	GREEN	66.04	7	282809-7
-	GREEN	55.88	6	282809-6
-	GREEN	45.72	5	282809-5
-	GREEN	35.56	4	282809-4
-	GREEN	25.40	3	282809-3
-	GREEN	15.24	2	282809-2
MARKING	HOUSING COLOR	L	NO OF POSN	PART NUMBER

THIS DRAWING IS A CONTROLLED DOCUMENT.

DWN E. ZANOLINI 23 JUL 2001
 CHK D. BIEVENOUR 23 JUL 2001
 APVD D. BIEVENOUR 23 JUL 2001

STE TE Connectivity

NAME: TERMINAL BLOCK, PLUG, 10.16mm PITCH

SIZE: A2 CAGE CODE: 00779 DRAWING NO: C-282809 RESTRICTED TO: -

MATERIAL: - DIMENSIONS: mm TOLERANCES UNLESS OTHERWISE SPECIFIED: 0 PLC ±, 1 PLC ±0.2, 2 PLC ±0.25, 3 PLC ±0.000, 4 PLC ±0.000 ANGLES ±2 FINISH

PRODUCT SPEC: - APPLICATION SPEC: - WEIGHT: -

CUSTOMER DRAWING SCALE: 4:1 SHEET OF REV: EI

X-ON Electronics

Largest Supplier of Electrical and Electronic Components

Click to view similar products for [Pluggable Terminal Blocks](#) category:

Click to view products by [TE Connectivity](#) manufacturer:

Other Similar products are found below :

[57.510.0053](#) [MC 1.5/ 6-ST-3.5 GY AU](#) [ET02015000J0G](#) [734-104](#) [734-302](#) [8-141-P](#) [8426620000](#) [860505](#) [860516](#) [860810](#) [GBPACX-12](#)
[93.731.4953.0](#) [PV05-5,08-K](#) [PVP03-3,50](#) [PVP04-3,50](#) [PVS02-5,00](#) [1-1986160-3](#) [1377680000](#) [1531000000](#) [1546228-5](#) [ELFH16150](#)
[ELFP03110](#) [ELFP10210](#) [ELFT06250](#) [ELVP03100](#) [1700101](#) [1700410](#) [1700425](#) [1702246](#) [1705229](#) [1710175](#) [1714537](#) [1717806](#) [1719600](#)
[1728941](#) [1734692](#) [1734795](#) [1736036](#) [1740194](#) [1740628](#) [1740990](#) [1746952](#) [1750207](#) [1752441](#) [1752865](#) [1754115](#) [1754144](#) [1756913](#)
[1760051](#) [1760336](#)