

4

3

2

1

THIS DRAWING IS UNPUBLISHED.

RELEASED FOR PUBLICATION

20

© COPYRIGHT 20

Tyco Electronics AMP GmbH

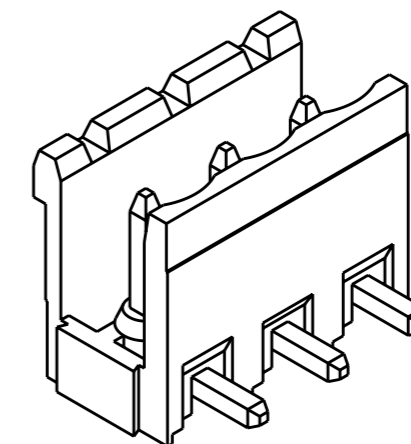
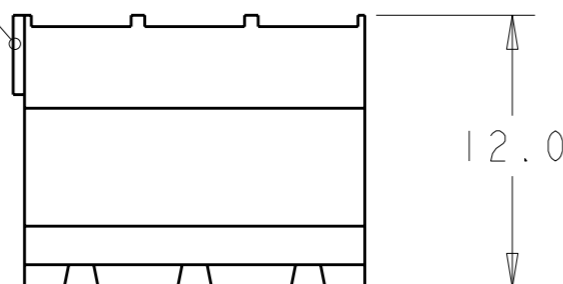
ALL RIGHTS RESERVED.

LOC	DIST
FT	0

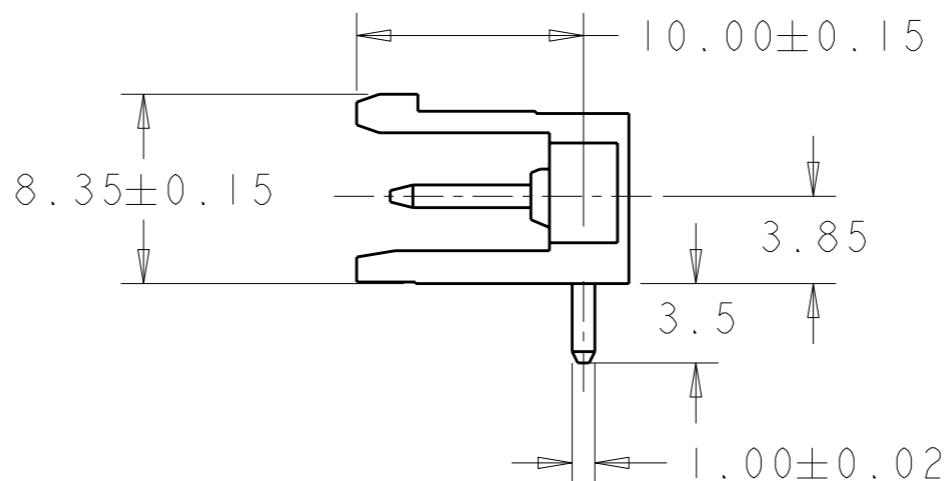
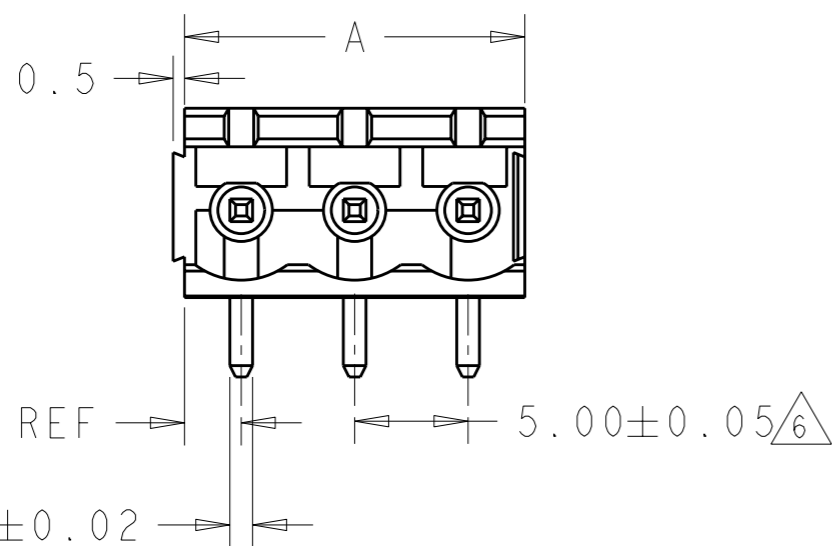
REVISIONS

P	LTR	DESCRIPTION	DATE	DWN	APVD
	C2	REVISED PER ECO-12-007964	03MAY2012	KH	MS

INTERLOCKING FEATURE

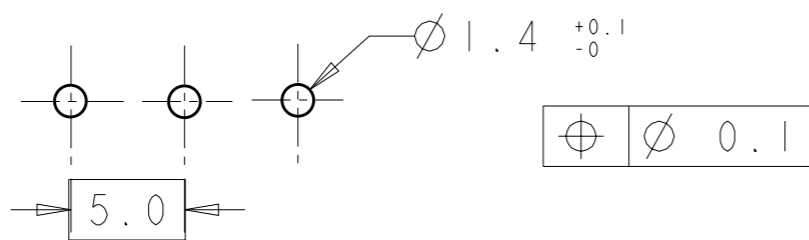


282811-3 AS SHOWN



- 1 MATERIALS AND FINISH  
HOUSING: PA 6-6, UL 94-V0, COLOR GREEN.  
TERMINAL: COPPER ALLOY, TIN PLATED.
- 2 SUITABLE FOR 1,6-2,4mm PC BOARD THICKNESS.
- 3 END-TO-END STACKABLE W/INTERLOCK WITHOUT LOSS OF CENTERLINE SPACING.
- 4 RECOGNIZED UNDER THE COMPONENT PROGRAM OF UNDERWRITERS LABORATORIES INC. FILE N° E60677.
- 5 IMQ CERTIFICATE WITH SURVEILLANCE IN CONFORMITY WITH IEC 998-1/998-2-1.
- 6 NOT CUMULATIVE TOLERANCE.

DIM. A	N° OF POS.	PART NUMBER
20	4	282811-4
15	3	282811-3
10	2	282811-2



RECOMMENDED PC BOARD LAYOUT

THIS DRAWING IS A CONTROLLED DOCUMENT.		DWN 24JUL2001 E. ZANOLINI		TE Connectivity	
DIMENSIONS: mm		CHK 24JUL2001 D. BIEVENOUR			
TOLERANCES UNLESS OTHERWISE SPECIFIED:		APVD 24JUL2001 D. BIEVENOUR		NAME TERMINAL BLOCK HEADER ASSEMBLY 90 DEGREE STACKING W/INTERLOCK 5mm PITCH	
0 PLC ±-		PRODUCT SPEC 108-20166		SIZE A300779	
1 PLC ±.2		APPLICATION SPEC 114-20079		CAGE CODE C-282811	
2 PLC ±.25		WEIGHT -		DRAWING NO -	
3 PLC ±-		CUSTOMER DRAWING		RESTRICTED TO -	
4 PLC ±-		SCALE 3:1		SHEET 1 OF 1	
ANGLES ±2		REV C2			
FINISH					

## X-ON Electronics

Largest Supplier of Electrical and Electronic Components

*Click to view similar products for [Pluggable Terminal Blocks](#) category:*

*Click to view products by [TE Connectivity](#) manufacturer:*

Other Similar products are found below :

[57.510.0053](#) [MC 1.5/ 6-ST-3.5 GY AU](#) [734-104](#) [734-302](#) [8-141-P](#) [8426620000](#) [860505](#) [860516](#) [860810](#) [GBPACX-12](#) [93.731.4953.0](#) [PV05-5,08-K](#) [PVP02-5,00](#) [PVP03-3,50](#) [PVP04-3,50](#) [PVS02-5,00](#) [1-1986160-3](#) [1377680000](#) [1531000000](#) [1546228-5](#) [ELFH16150](#) [ELFP03110](#) [ELFP10210](#) [ELFT06250](#) [ELVP03100](#) [1700101](#) [1700410](#) [1700425](#) [1702246](#) [1705229](#) [1710175](#) [1714537](#) [1717806](#) [1719600](#) [1728941](#) [1734692](#) [1734795](#) [1736036](#) [1740194](#) [1740291](#) [1740628](#) [1740990](#) [1746952](#) [1750207](#) [1752441](#) [1752865](#) [1754115](#) [1754144](#) [1756913](#) [1760051](#)